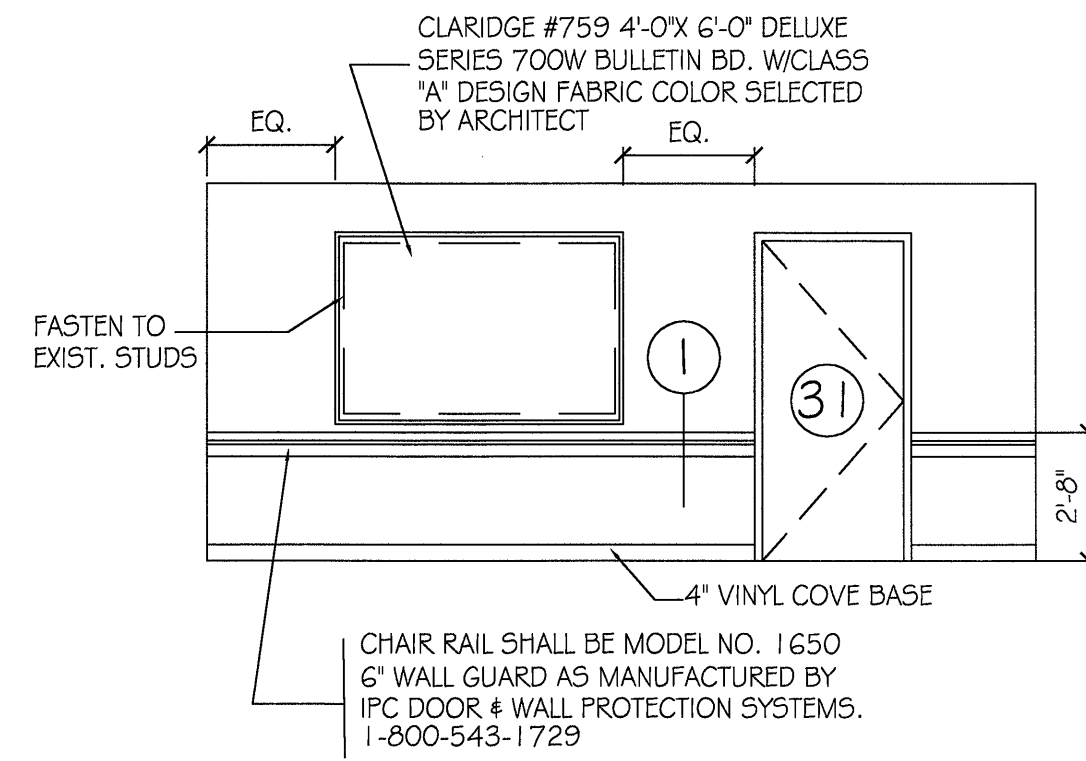
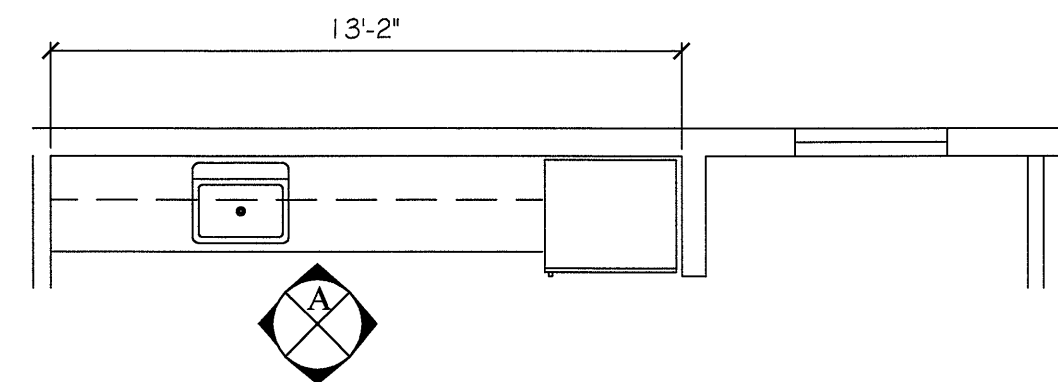


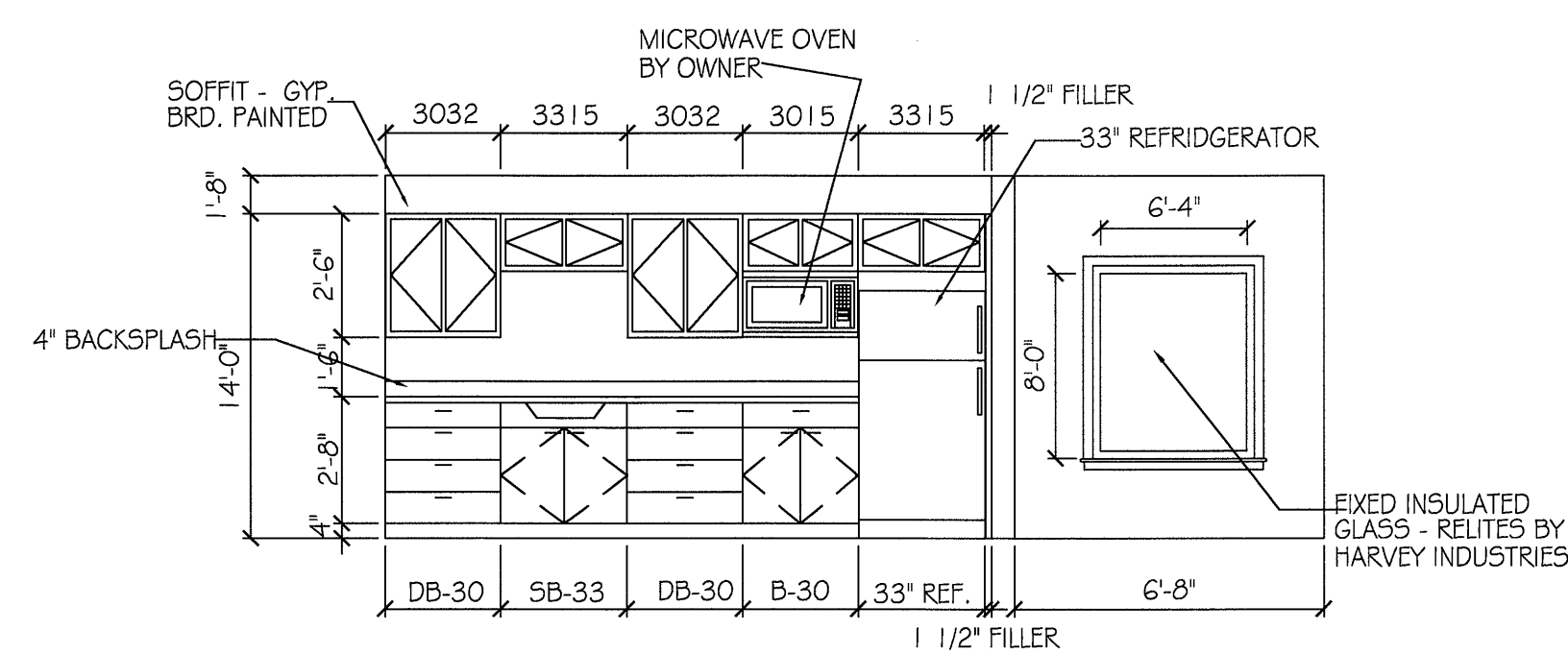
PLAN -BULLETIN BOARD
SCALE: 1/4" = 1'-0"



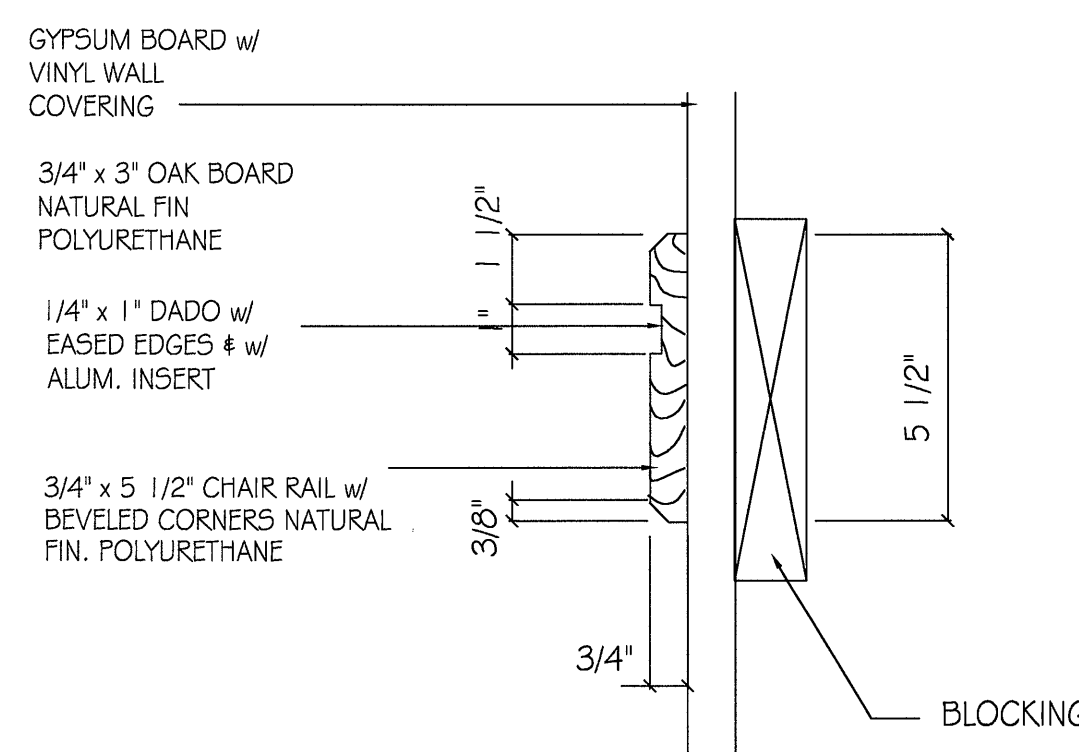
B BREAK ROOM BULLETIN BOARD
SCALE: 1/4" = 1'-0"



PLAN -BREAK ROOM KITCHENETTE
SCALE: 1/4" = 1'-0"



A BREAK ROOM KITCHENETTE
SCALE: 1/4" = 1'-0"



1 CHAIR RAIL DETAIL
SCALE: 3" = 1'-0"

REMARKS	HT.	CEILING	WALLS	DADO	BASE	FLOOR	NAME	RM.	
SEE DETAILS	10'-0"	2 x 2 A.C.T.	ALUM. FRAMING & GLASS 1/2" GYPSUM BOARD AND VINYL WALL COVERING		CERAMIC COVE	ENTRANCE MAT w/ CERAMIC TILE	VESTIBULE	101	
SEE TILE PATTERN DWG. C-1 SEE DETAILS	10'-0" 9'-2"	2 x 2 ACT. w/ SOFFIT OVER COUNTER	1/2" GYP. BOARD - VINYL WALL COVERING		CERAMIC COVE	CERAMIC TILE	DISPLAY ROOM	102	
SEE TILE PATTERN DWG. C-1 SEE DETAILS	10'-0"	2 x 2 A.C.T. w/ SOFFIT OVER COUNTER	1/2" GYP. BOARD - VINYL WALL COVERINGS		CERAMIC COVE	CERAMIC TILE	OFFICE AREA	103	
	9'-2"	2 x 2 A.C.T.	1/2" GYP. BD. -VINYL WALL COVERING		CERAMIC COVE	CERAMIC TILE	PASSAGE	104	
	8'-0"	2 x 2 ACT.	GYP. BD. PAINTED		4" VINYL COVE	CERAMIC TILE	CLOSET	105	
	8'-0"	2 x 2 ACT.	GYP. BD. PAINTED		4" VINYL COVE	CERAMIC TILE	CLOSET	106	
SEE TILE PATTERN C-1	8'-0"	2 x 4 A.C.T.	1/2" GYP. BD. -VINYL WALL COVERING	1/2" M.R. GYP. BD. CERAMIC TILE	CERAMIC COVE	CERAMIC TILE	MENS TOILET	107	
SEE TILE PATTERN C-1	8'-0"	2 x 4 A.C.T.	1/2" GYP. BD. -VINYL WALL COVERING	1/2" M.R. GYP. BD. CERAMIC TILE	CERAMIC COVE	CERAMIC TILE	WOMENS TOILET	108	
	8'-0"	2 x 2 A.C.T.	1/2" GYP. BD. -VINYL WALL COVERING		CERAMIC COVE	CERAMIC TILE	MANAGERS OFFICE	109	
	8'-0"	2 x 2 ACT.	GYP. BD. PAINTED		4" VINYL COVE	CERAMIC TILE	CLOSET	110	
SEE TILE PATTERN C-1	8'-0"	2 x 4 A.C.T.	1/2" M.R. GYP. BD. CERAMIC TILE	1/2" M.R. GYP. BD. CERAMIC TILE	CERAMIC COVE	CERAMIC TILE	MENS TOILET	111	
			3/4" F.T. PLYWOOD - PAINTED		4" VINYL COVE	CONCRETE/ EPOXY FIN.	SPRINKLER	112	
	8'-0"	2 x 4 A.C.T.	1/2" M.R. GYP. BD. -PAINTED		VINYL COVE	V.C.T.	JANITOR CLOSET	113	
			PAINT STRUCTURAL ELEMENTS			CONCRETE/ EPOXY FIN.	ELECTRICAL	114	
			EXPOSED STRUCTURE PAINTED	PAINT STRUCTURAL ELEMENTS	PLYWOOD SHEATHING SEE NOTE #3	4" COVE BASE @ GYB. BD. & PLYWOOD WALL	CONCRETE/ EPOXY FINISH	WAREHOUSE	115
			PAINT STRUCTURAL ELEMENTS	F.R. PLYWOOD/ PAINTED			CONCRETE/ EPOXY FINISH	LOADING DOCK	116
			EXPOSED STRUCTURE PAINTED	PREFINISHED/ F.R. PLYWOOD/ PAINTED			BITUMINOUS CONCRETE	STORAGE CANOPY	117
			PAINT STRUCTURAL ELEMENTS	PAINT STRUCTURAL ELEMENTS	4" VINYL COVE	F.T. PLYWOOD/ PAINTED	MEZZANINE AREA	201	
	7'-10 1/2"	2 x 4 ACT	1/2 GYPSUM BOARD/ PAINTED	1/2" GYPSUM BD. VINYL WALL COVERING	4" VINYL COVE	VCT	BREAK / TRAINING ROOM	202	
	7'-10 1/2"	2 x 4 ACT	1/2 GYPSUM BOARD/ PAINTED		4" VINYL COVE	CARPET	OFFICE	203	
	7'-10 1/2"	2 x 4 ACT	1/2 GYPSUM BOARD/ PAINTED		4" VINYL COVE	VCT	TOILET ROOM	204	
	7'-10 1/2"	2 x 4 ACT	1/2 GYPSUM BOARD/ PAINTED		4" VINYL COVE	VCT	TOILET ROOM	205	
VINYL STAIR TREADS & RISERS	7'-11"	1/2 GYPSUM BOARD/ PAINTED	1/2 GYPSUM BOARD/ PAINTED		4" VINYL COVE	VCT	STAIR HALL	206	

NOTES:

- 1) ALL GYPSUM BOARD TO BE 1/2" FIRE CODE OR BETTER
- 2) SUSPENDED ACOUSTIC CEILING
SEE SHEET A-7.1 REFLECTED CEILING PLAN FOR TYPES
- 3) WALLS BETWEEN WAREHOUSE AND OFFICE SHALL HAVE 3/4" FIRE RETARDANT PLYWOOD
- 4) ALL BLOCKING SHALL BE FIRE RETARDANT WOOD

ABBREVIATIONS:

- V.C.T VINYL COMPOSITION TILE
 V.W.C VINYL WALL COVERING
 C.M.U CONCRETE MASONRY UNIT
 1/2"WB. 1/2" WALL BOARD FIRE CODE
 1/2"MRWB 1/2" MOISTURE RESISTANT WALL BOARD FIRE
 ACT. ACOUSTIC CEILING TILE

SIGNAGE NOTES:

- PROVIDE INTERIOR SIGNAGE COMPLYING WITH ADA REQUIREMENTS FOR THE HANDICAPPED TOILET ROOMS AND OTHER ROOMS AS NOTED:
- MEN 1 REQ.
 MEN (ACCESSIBILITY SYMBOL) 1 REQ.
 WOMEN (ACCESSIBILITY SYMBOL) 1 REQ.
- SIGN SHALL BE SERIES 'MP' PLASTIC WITH #102 "BLACK" BACKGROUND W/ "WHITE" ENGRAVED LETTER & SYMBOLS, BEVELED EDGES.
 TYPE SHALL BE "HELVETICA MEDIUM" UPPER CASE.
 MOUNT SIGNS WITH VINYL FOAM TAPE.
- MANUFACTURER: BEST MANUFACTURING CO., MONTROSE COLORADO OR ZAP INC., NASHUA, N.H. OR EQUAL.
- ADDITIONAL SIGNS REQUIRED
 ELECTRIC ROOM 1 REQ.
 JANITOR'S CLOSET 1 REQ.