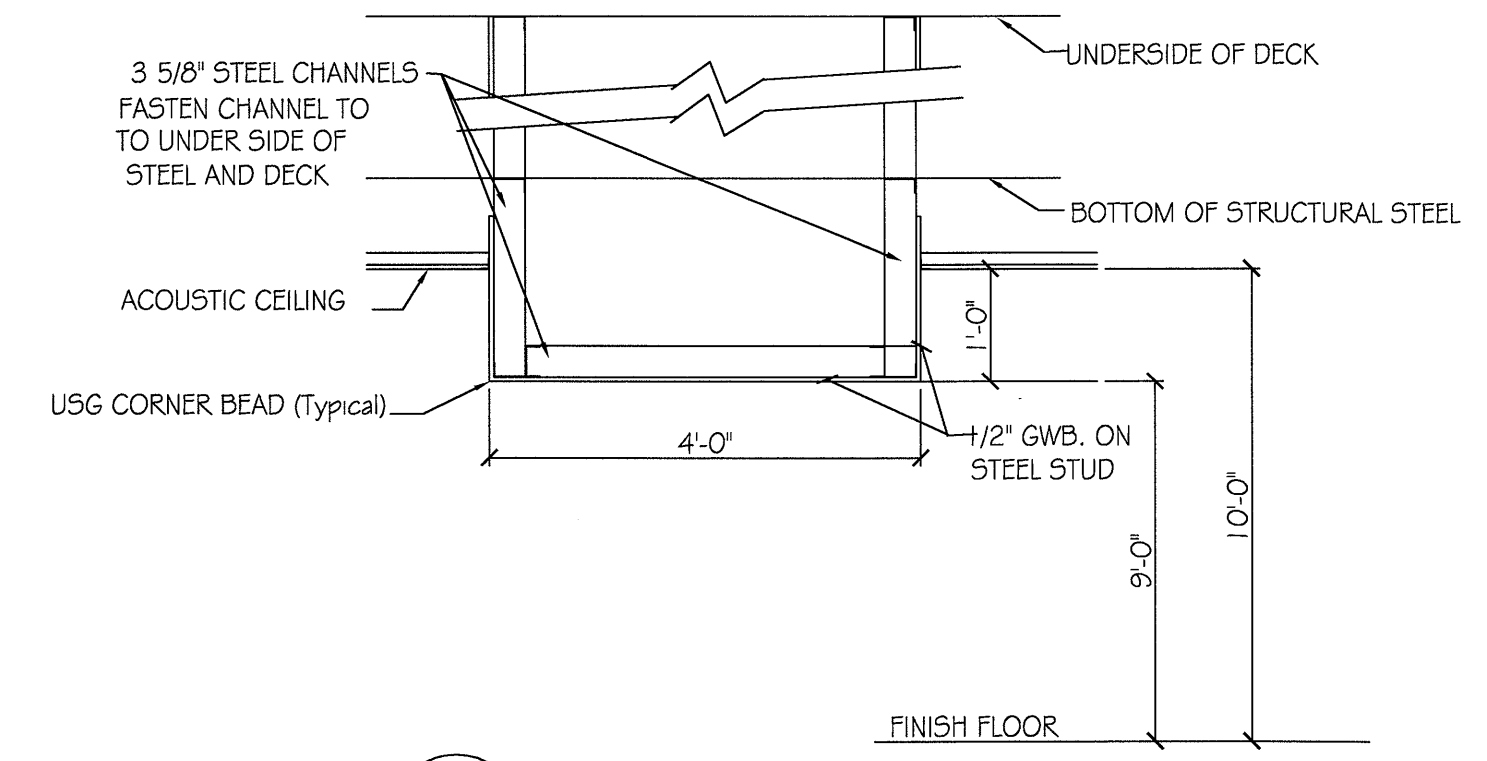
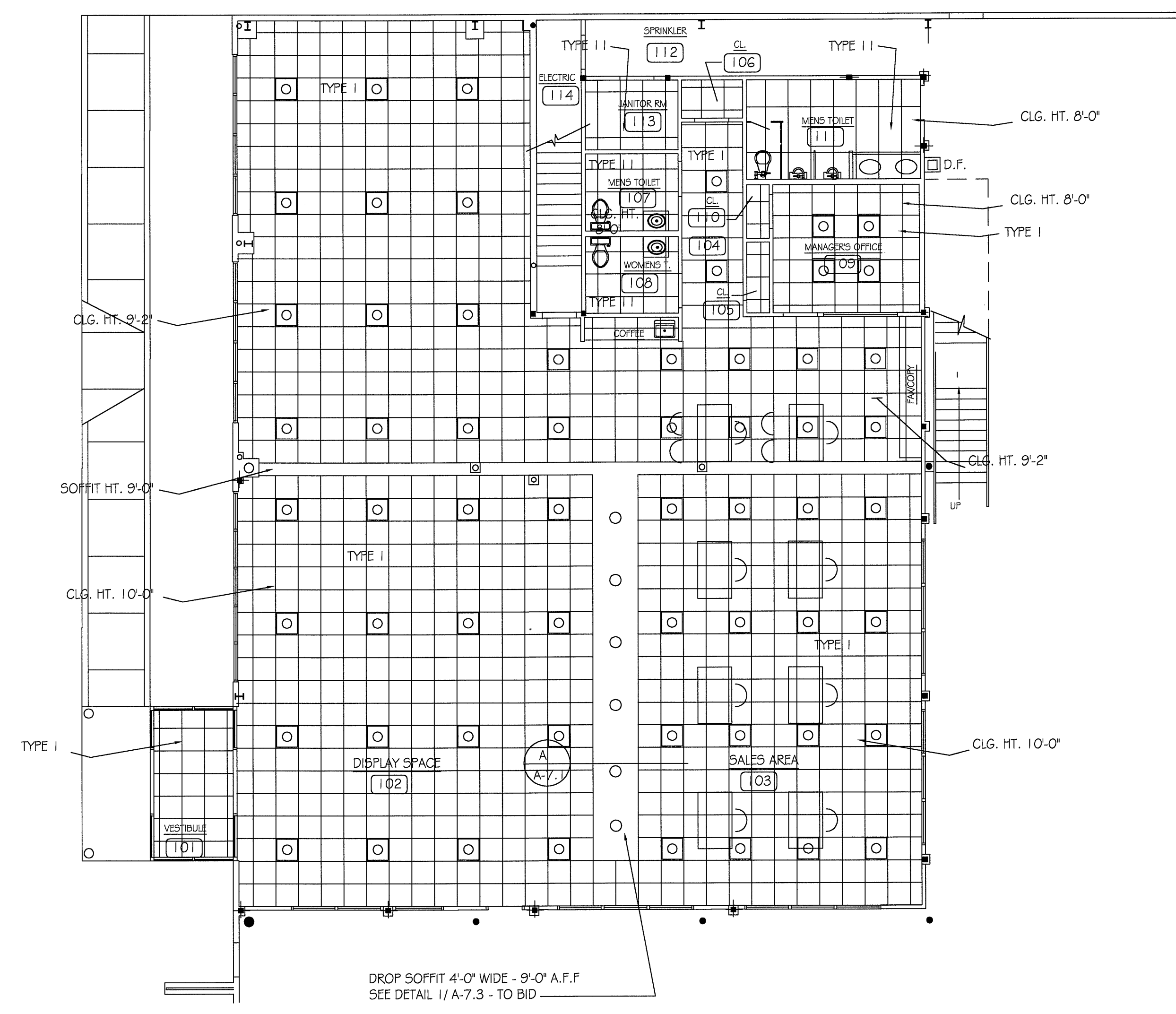


2 MEZZANINE REFLECTED CEILING PLAN  
SCALE: 1/8" = 1'-0"



A SOFFIT DETAIL  
A-7.1 SCALE 1/2" = 1'-0"

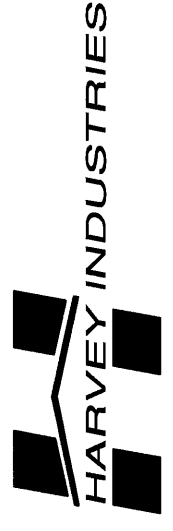


1 OFFICE REFLECTED CEILING PLAN  
SCALE: 1/8" = 1'-0"

- SUSPENDED ACOUSTIC CEILING
- TYPE I ARMSTRONG ARMATUFF #861 24"x24"x3/4" SQUARE EDGE LAY-IN WITH 15/16" GRID.
  - TYPE II ARMSTRONG CERAMAGUARD #607 24"x24"x5/8" AND #608 24"x48"x 5/8" SQUARE EDGE LAY-IN WITH 15/16" GRID.
  - TYPE III ARMSTRONG ARMATUFF #860 24"x48"x3/4" SQUARE EDGE LAY-IN WITH 15/16" GRID.

REFLECTED CEILING PLAN

WAREHOUSE FACILITY  
401 RIVERSIDE ST. PORTLAND, ME.



project no.	01-20
drawn	AMG
checked	BSB
dated	01-21-06