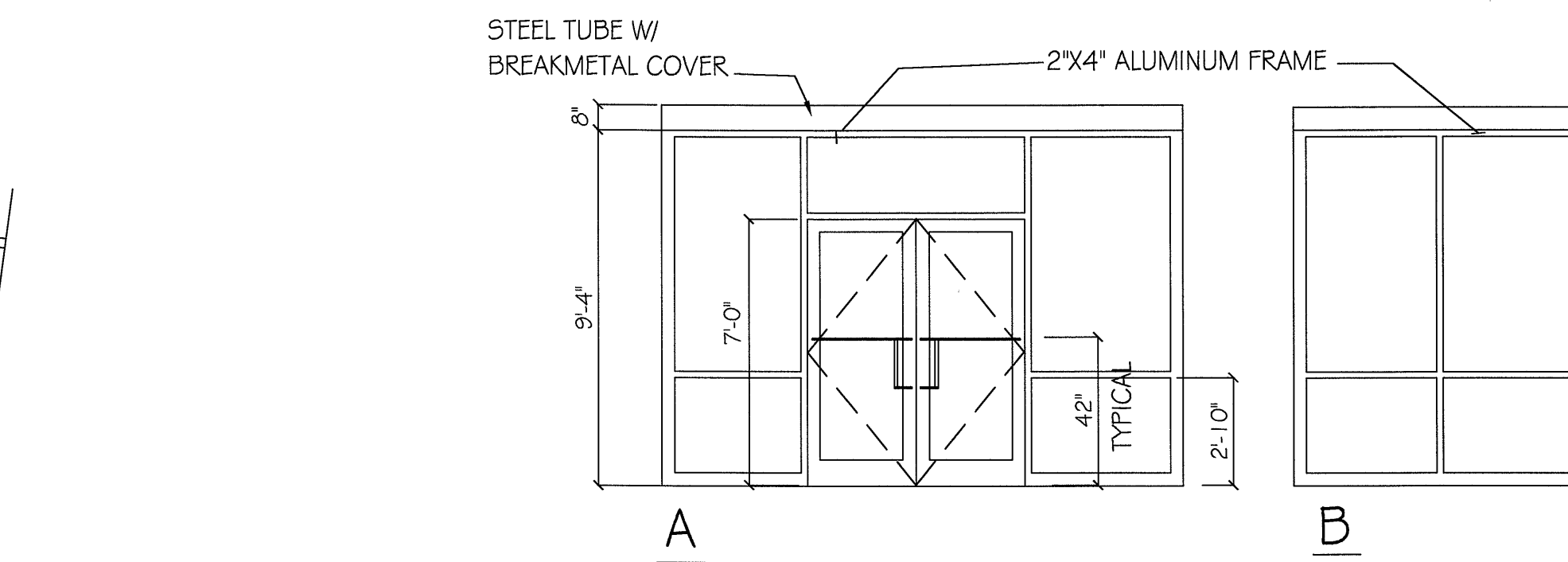
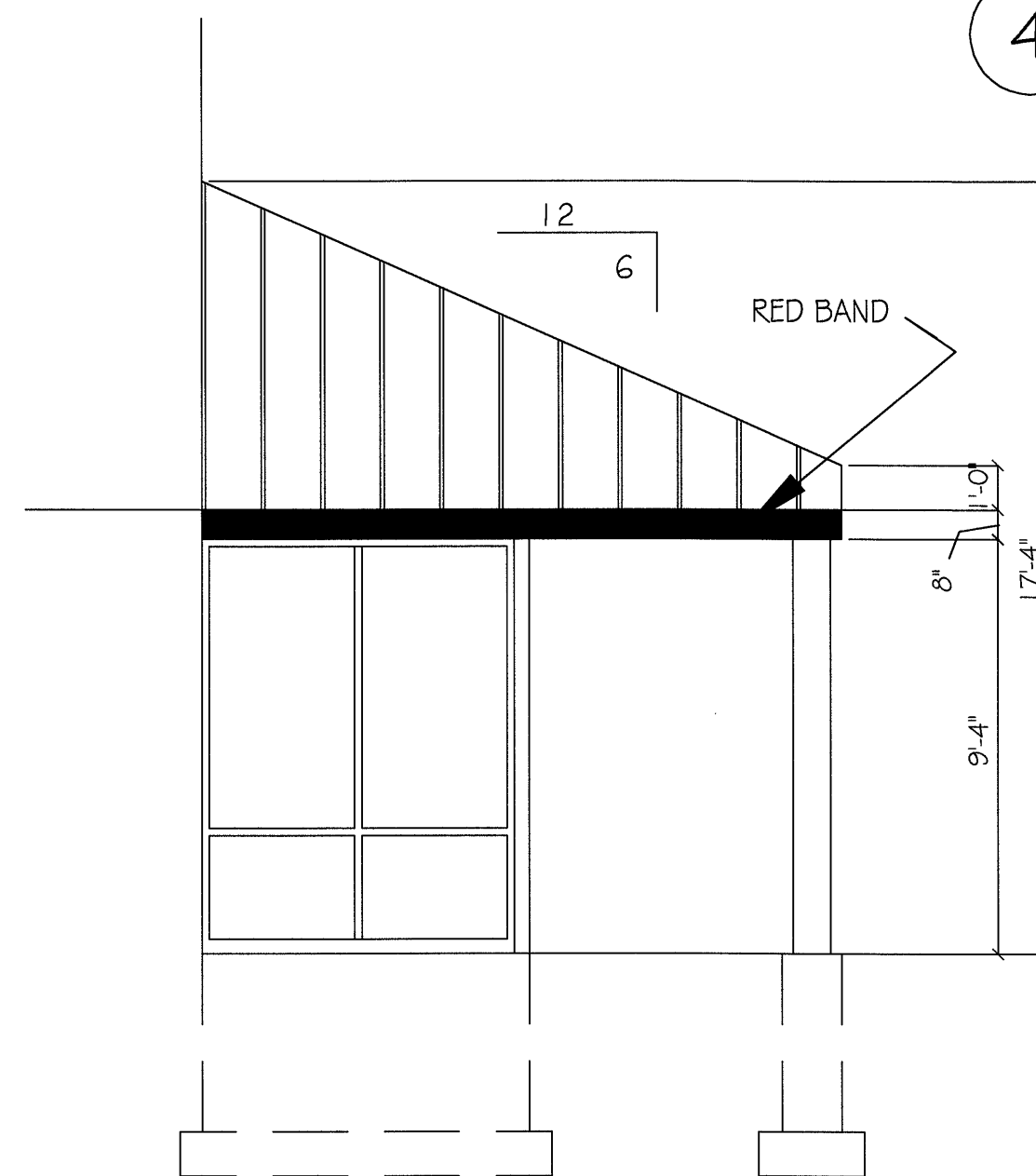
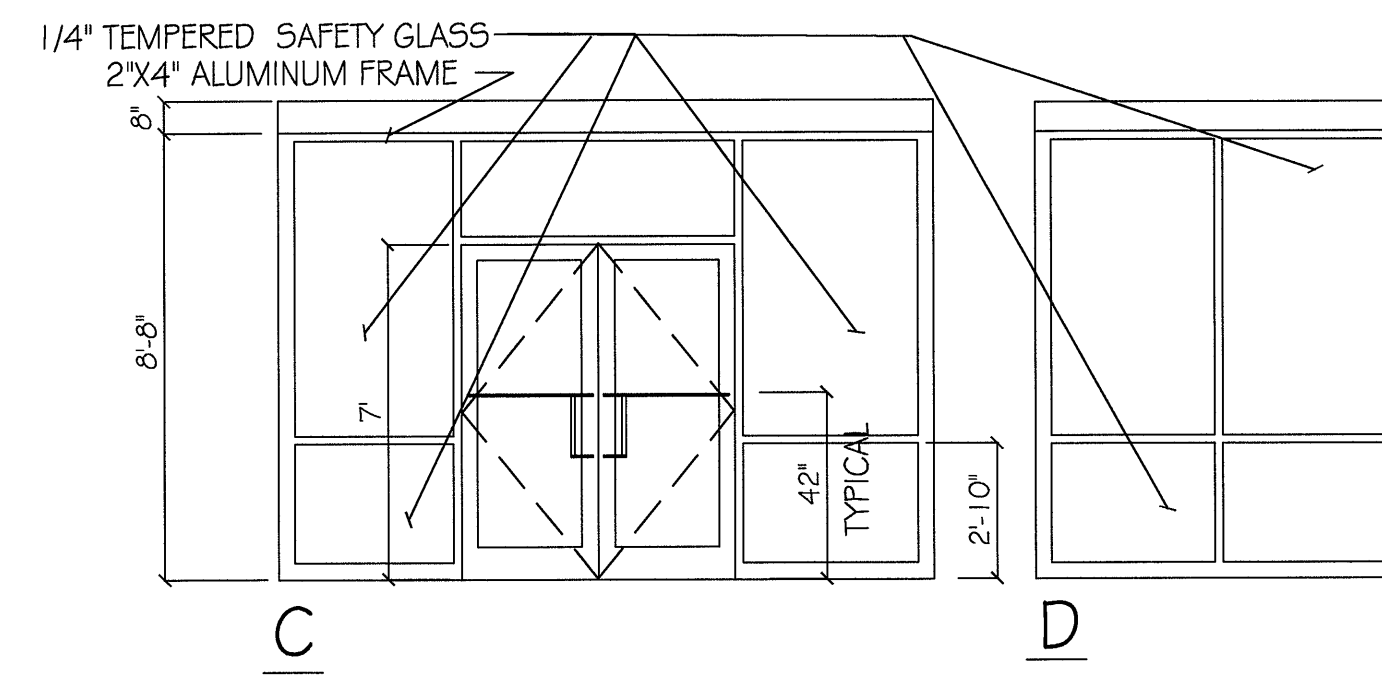


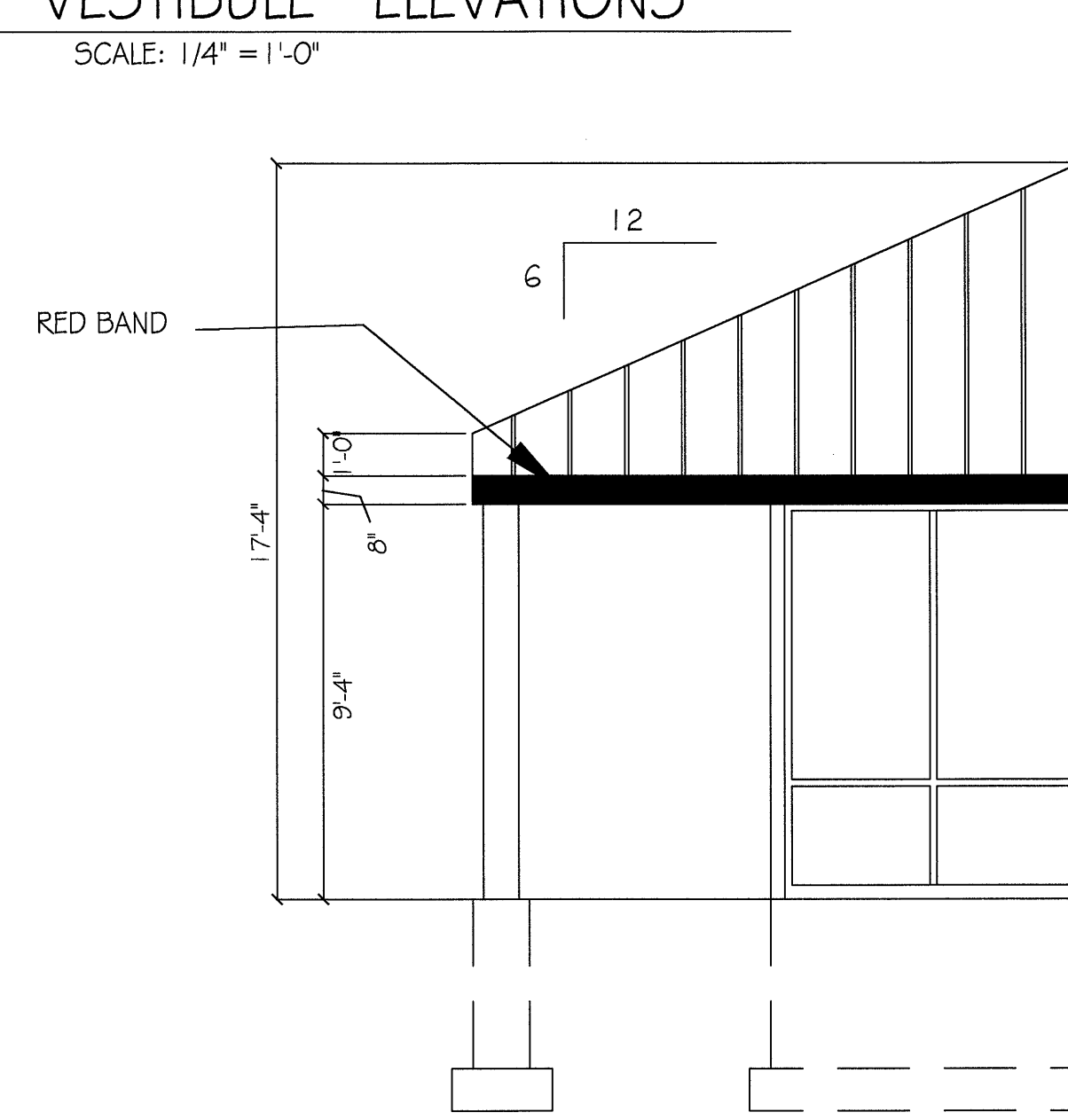
1 ELEVATION @ ENTRANCE  
SCALE: 1/4" = 1'-0"



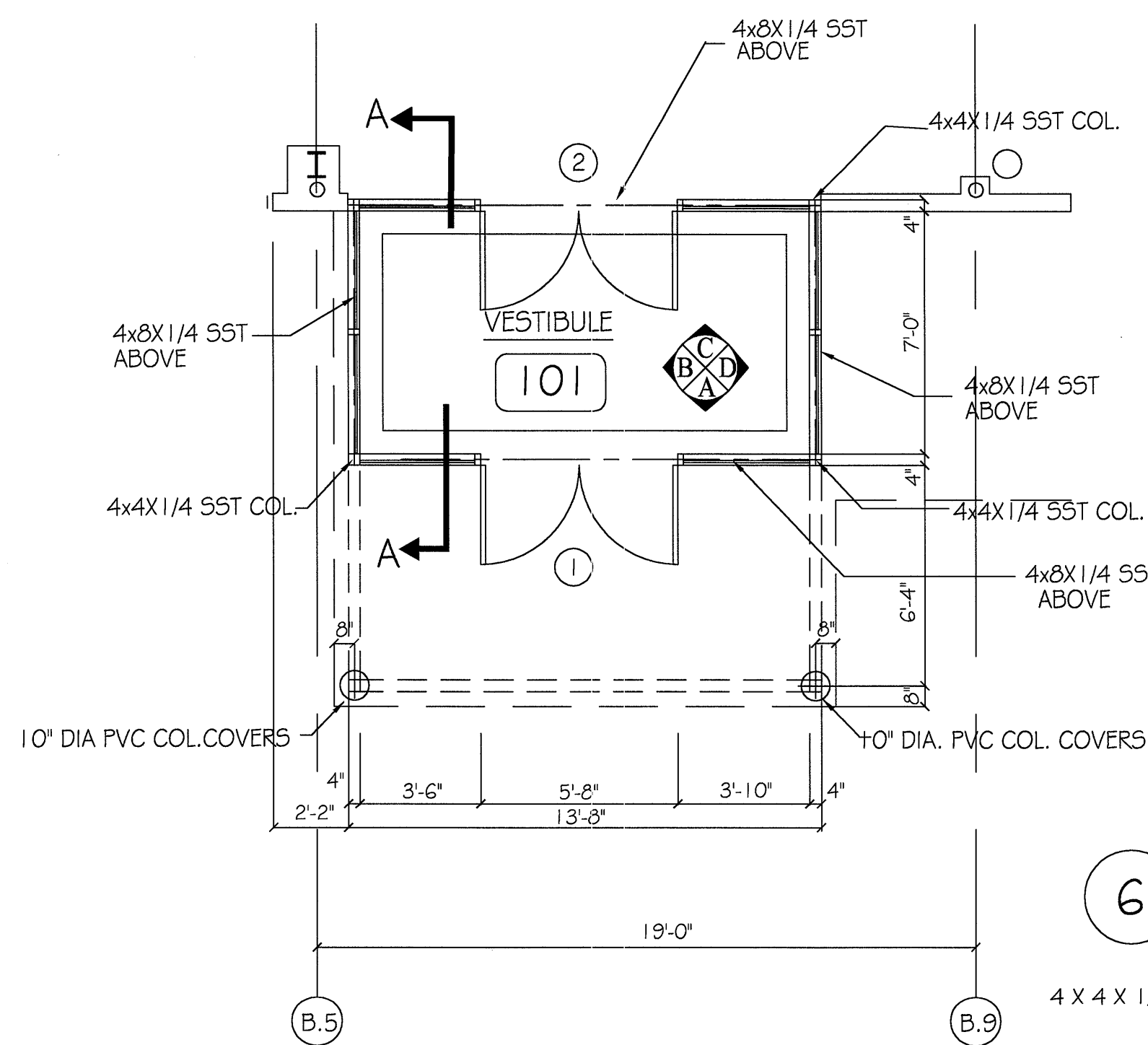
4 VESTIBULE ELEVATIONS  
SCALE: 1/4" = 1'-0"



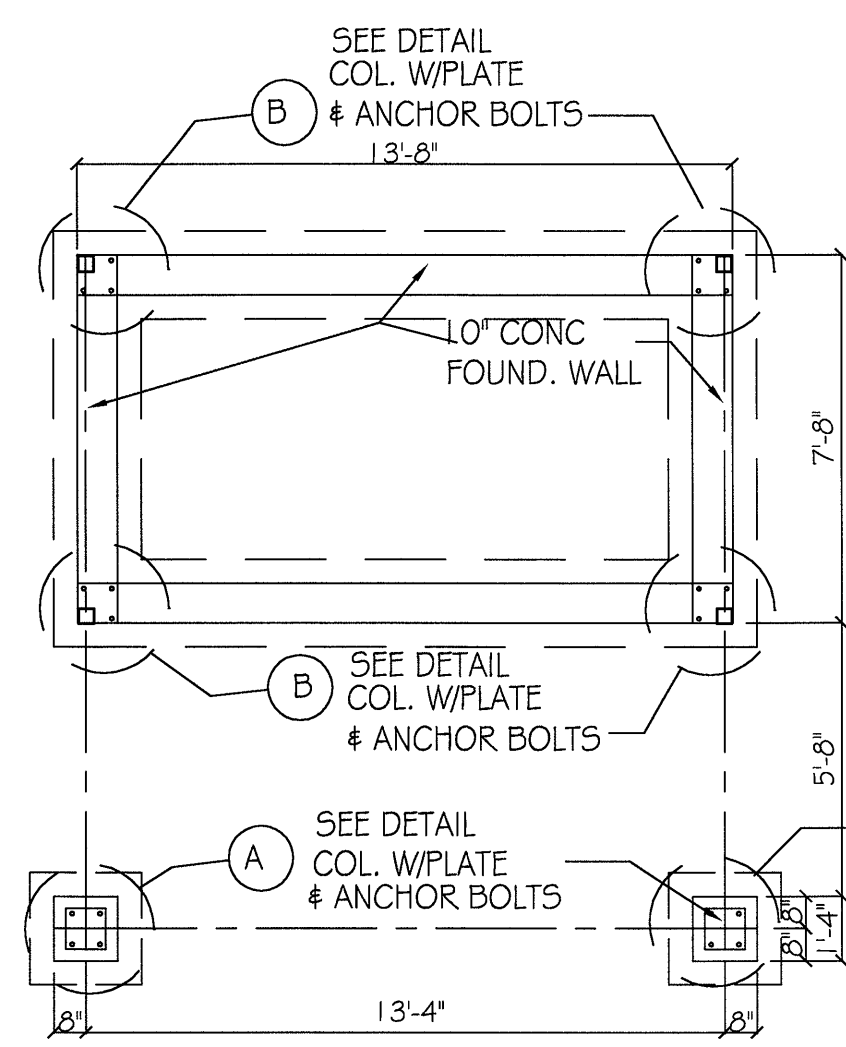
2 LEFT ELEVATION @ ENTRANCE  
SCALE: 1/4" = 1'-0"



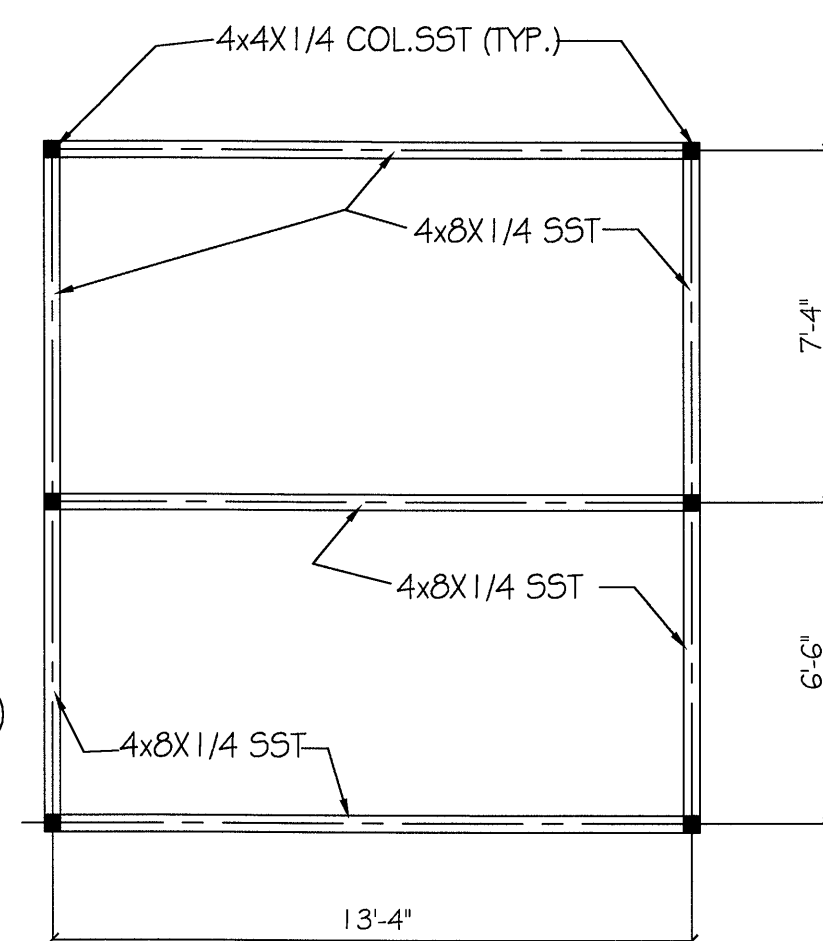
3 RIGHT ELEVATION @ ENTRANCE  
SCALE: 1/4" = 1'-0"



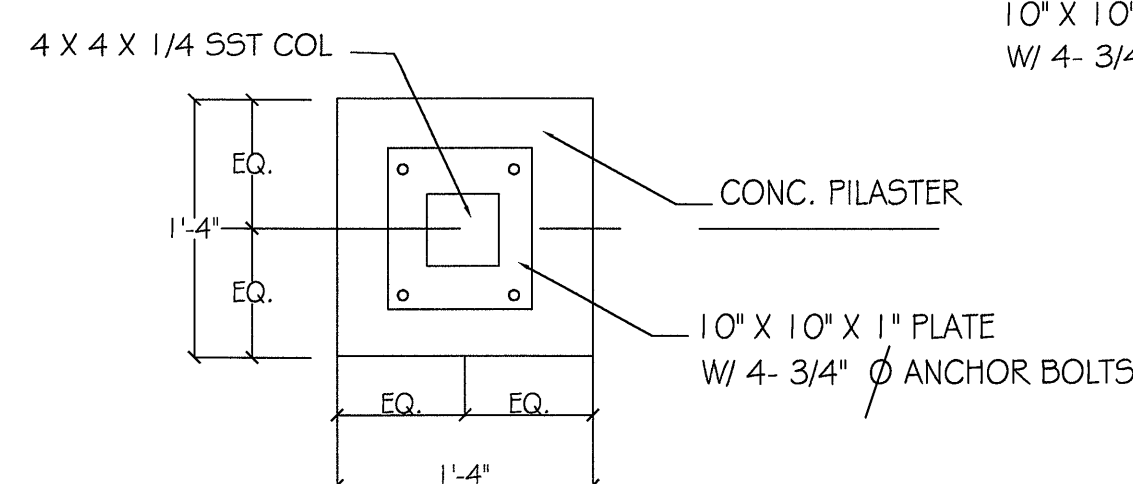
5 VESTIBULE PLAN  
SCALE: 1/4" = 1'-0"



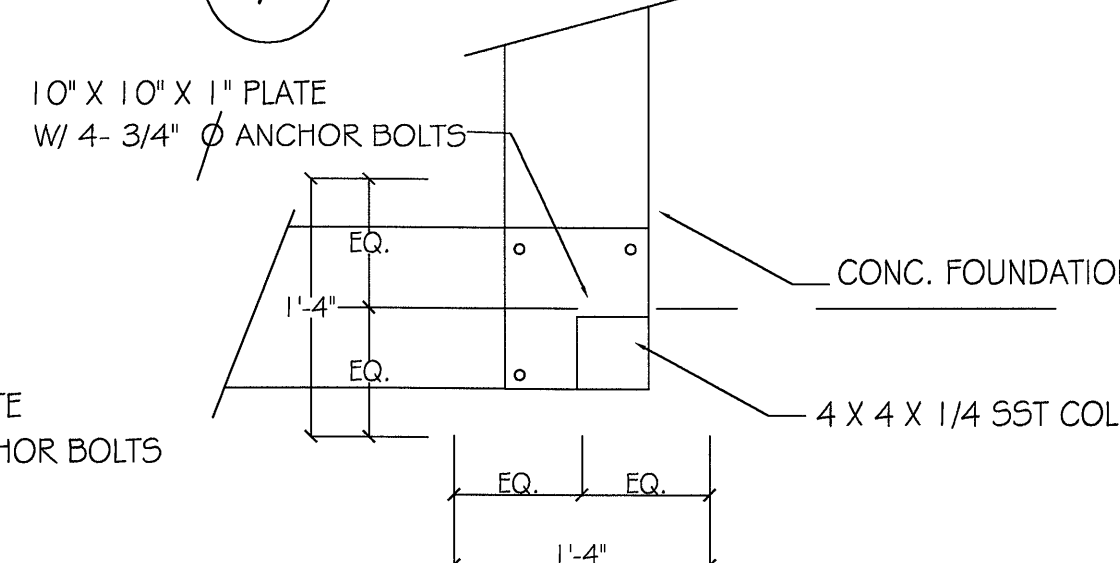
6 VESTIBULE FOUNDATION PLAN  
SCALE: 1/4" = 1'-0"



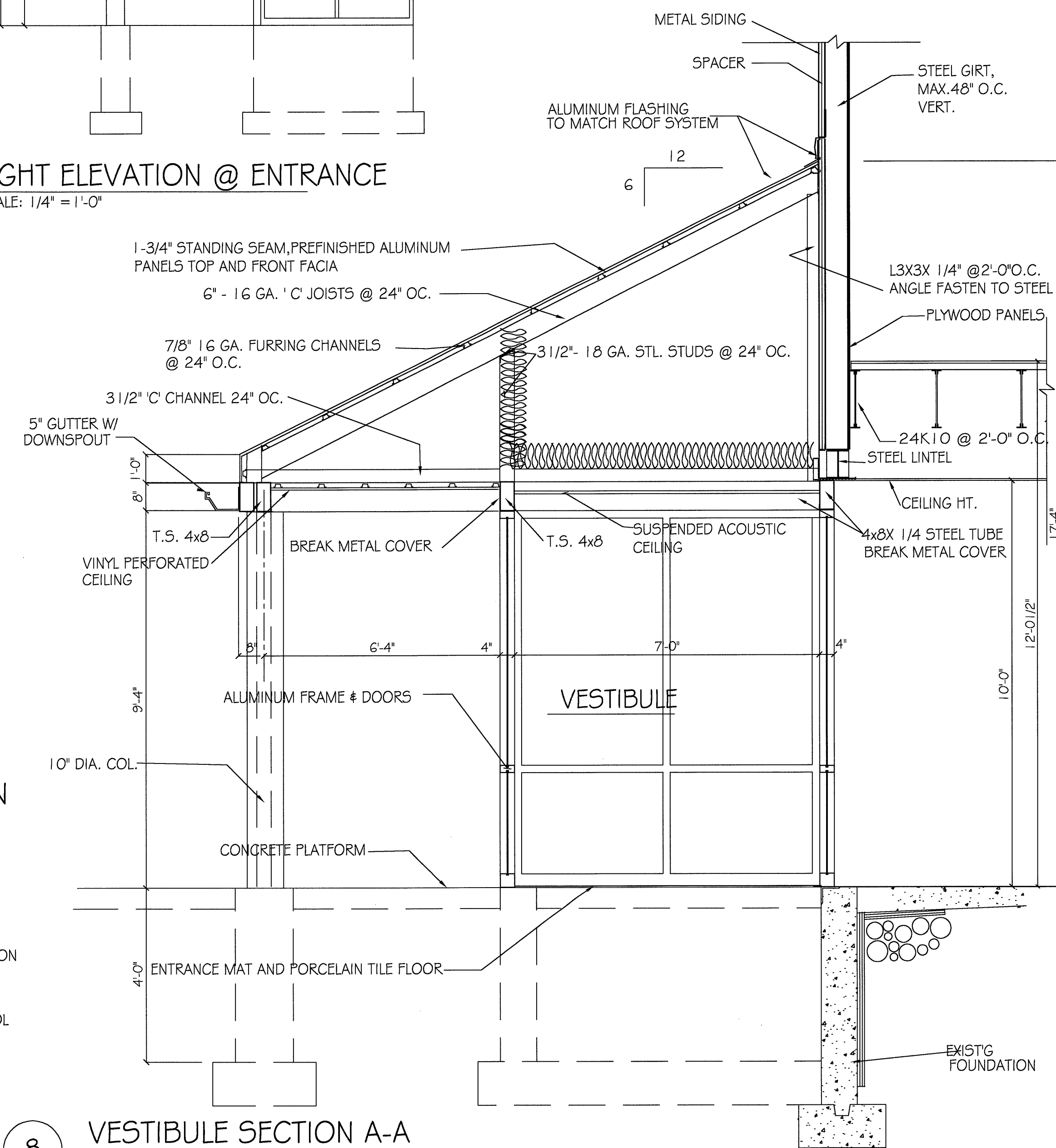
7 VESTIBULE FRAMING PLAN  
SCALE: 1/4" = 1'-0"



A PILASTER PLAN  
SCALE: 1/2" = 1'-0"



B PILASTER @ FOUND. PLAN  
SCALE: 1/2" = 1'-0"



8 VESTIBULE SECTION A-A  
SCALE: 1/2" = 1'-0"

DION & SOKOL, INC. • ARCHITECTS

SUDBURY, MA

VESTIBULE DETAILS

WAREHOUSE FACILITY  
401 RIVERSIDE ST. PORTLAND, ME.

project no. 01-20  
drawn AMG  
checked RSD  
dated 01-21-05

A-6.3