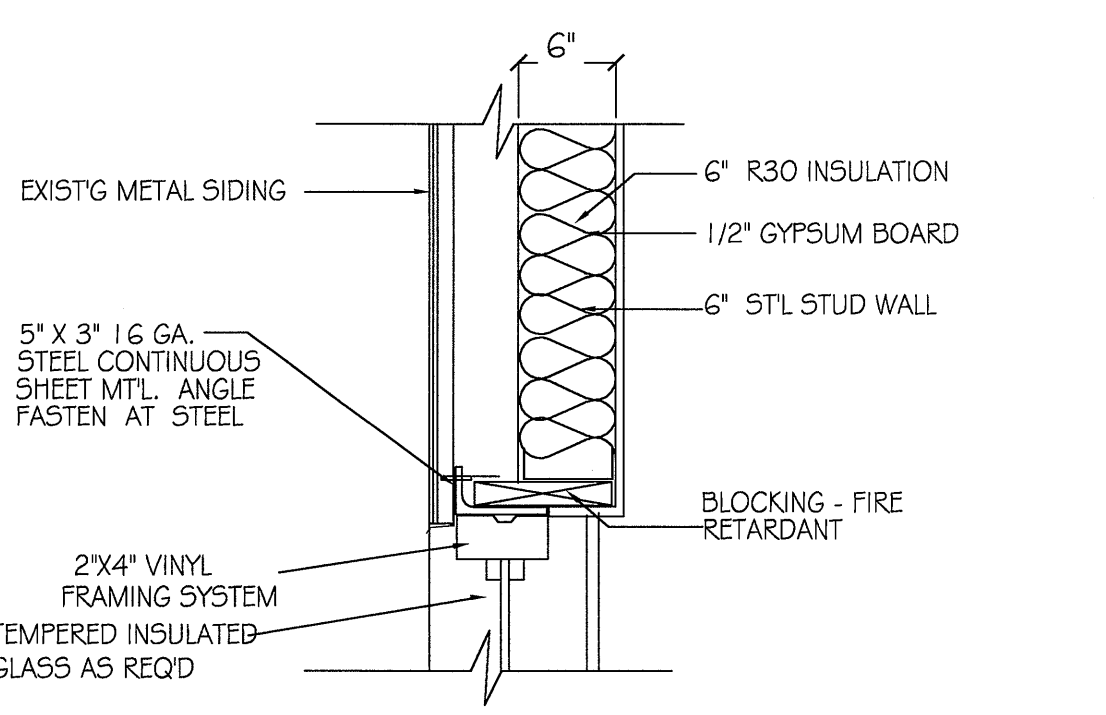
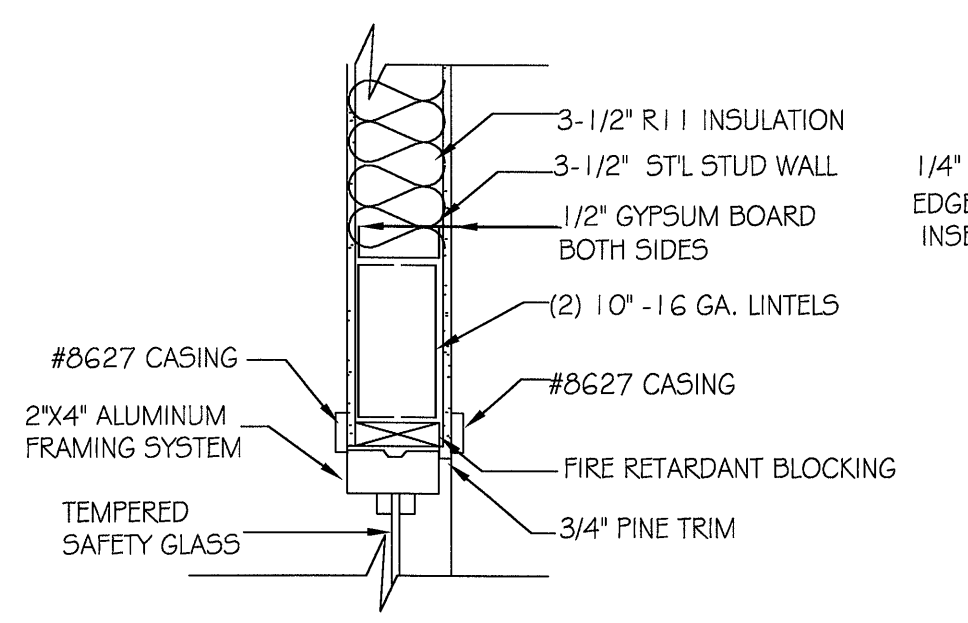


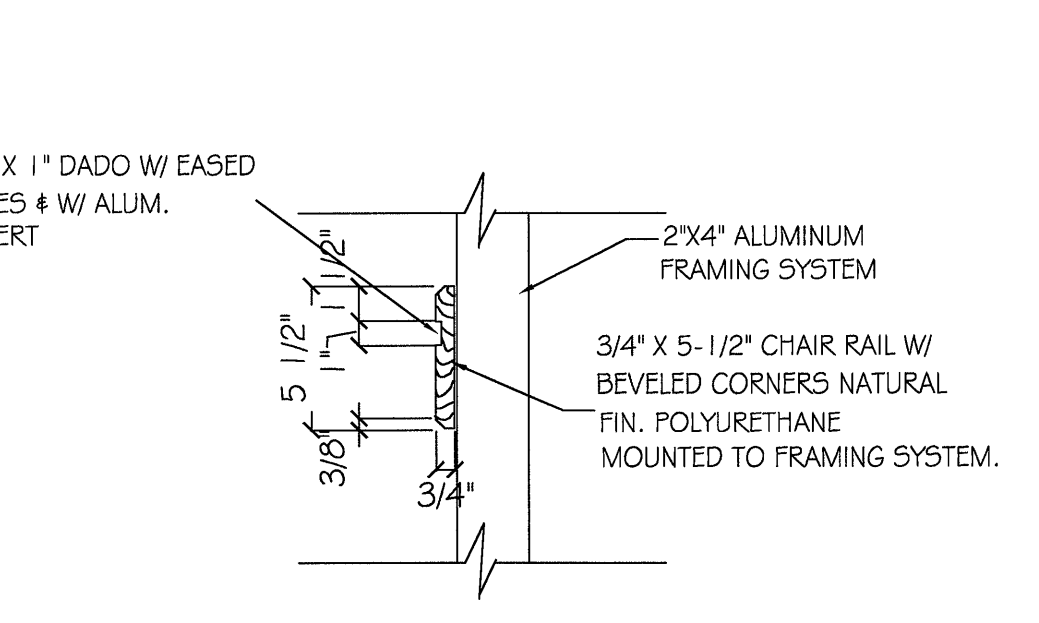
1 VINYL WINDOW FRAMING HEAD EXTERIOR WINDOW SCALE: 1" = 1'-0"



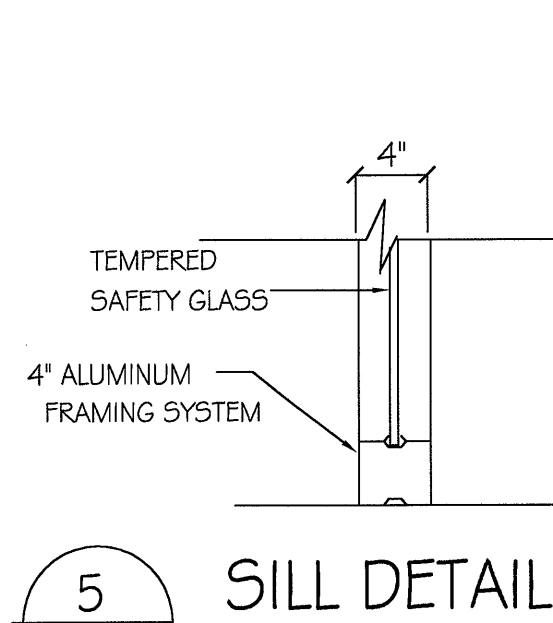
2 VINYL WINDOW FRAMING JAMB EXTERIOR WINDOW SCALE: 1" = 1'-0"



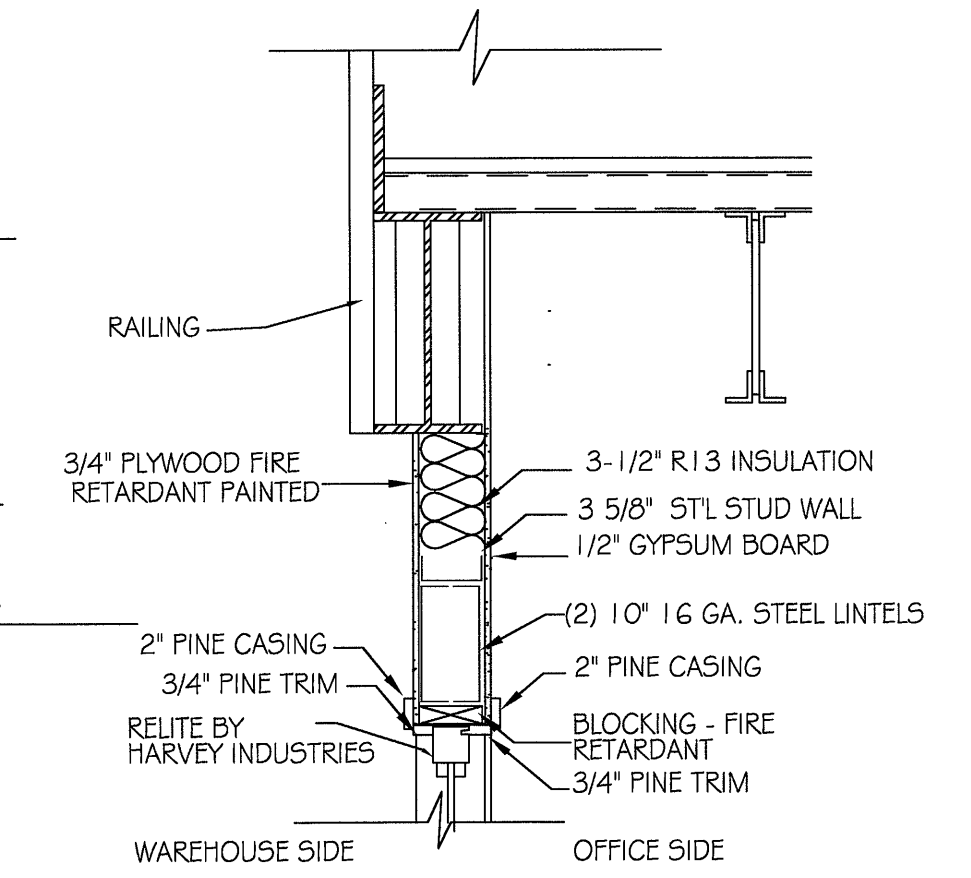
3 ALUM. FRAMING HEAD DET. SCALE: 1" = 1'-0"



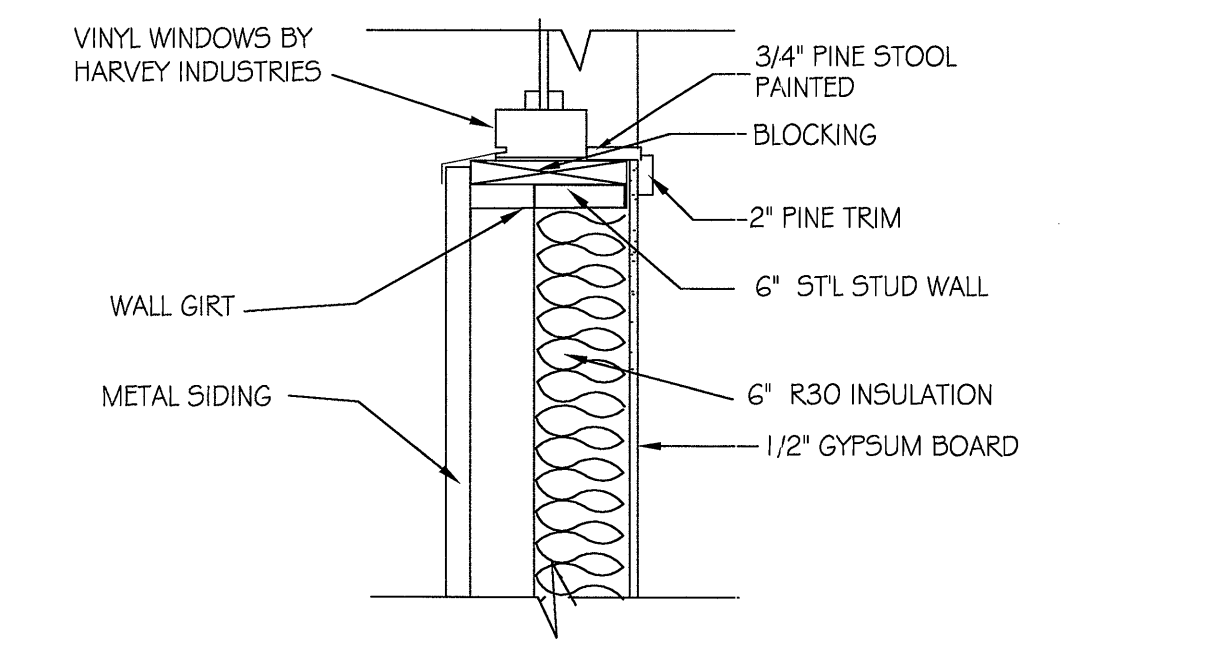
4 GUARDRAIL DETAIL SCALE: 1" = 1'-0"



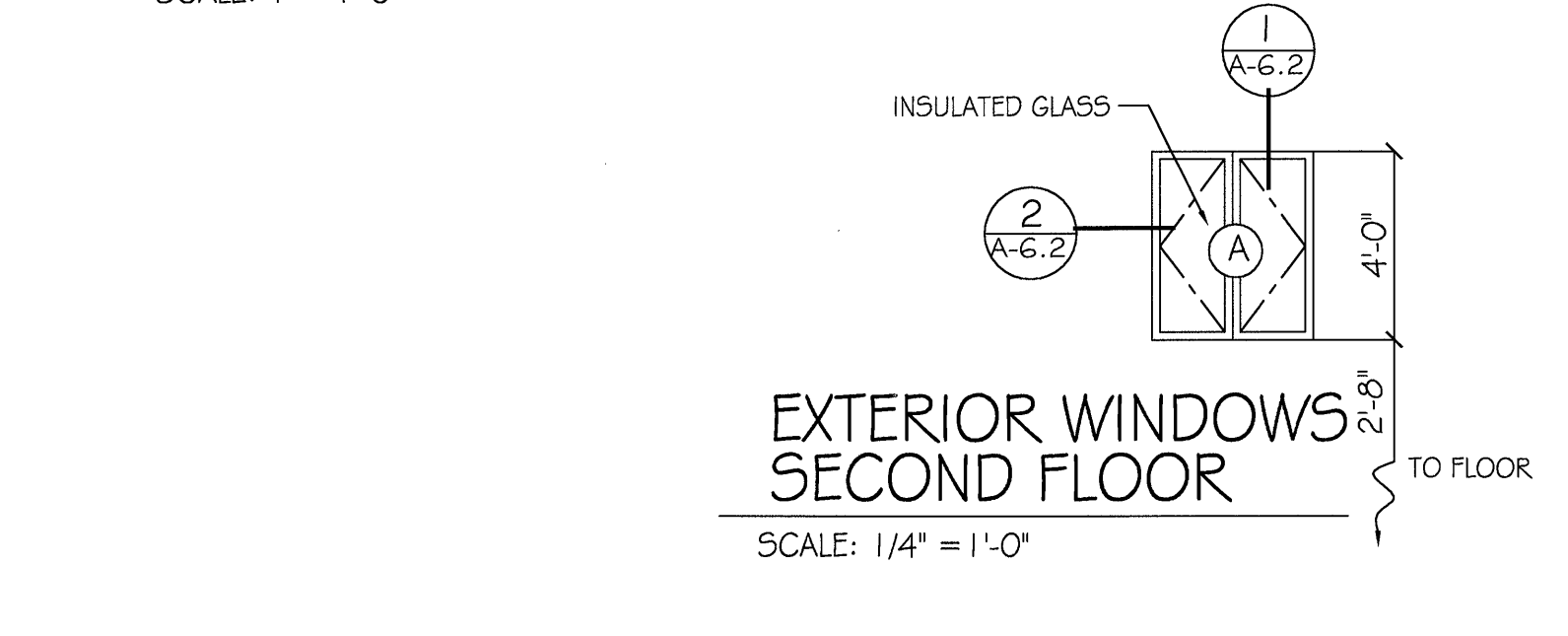
5 SILL DETAIL SCALE: 1" = 1'-0"



6 ALUM. FRAMING HEAD DET. SCALE: 1" = 1'-0"

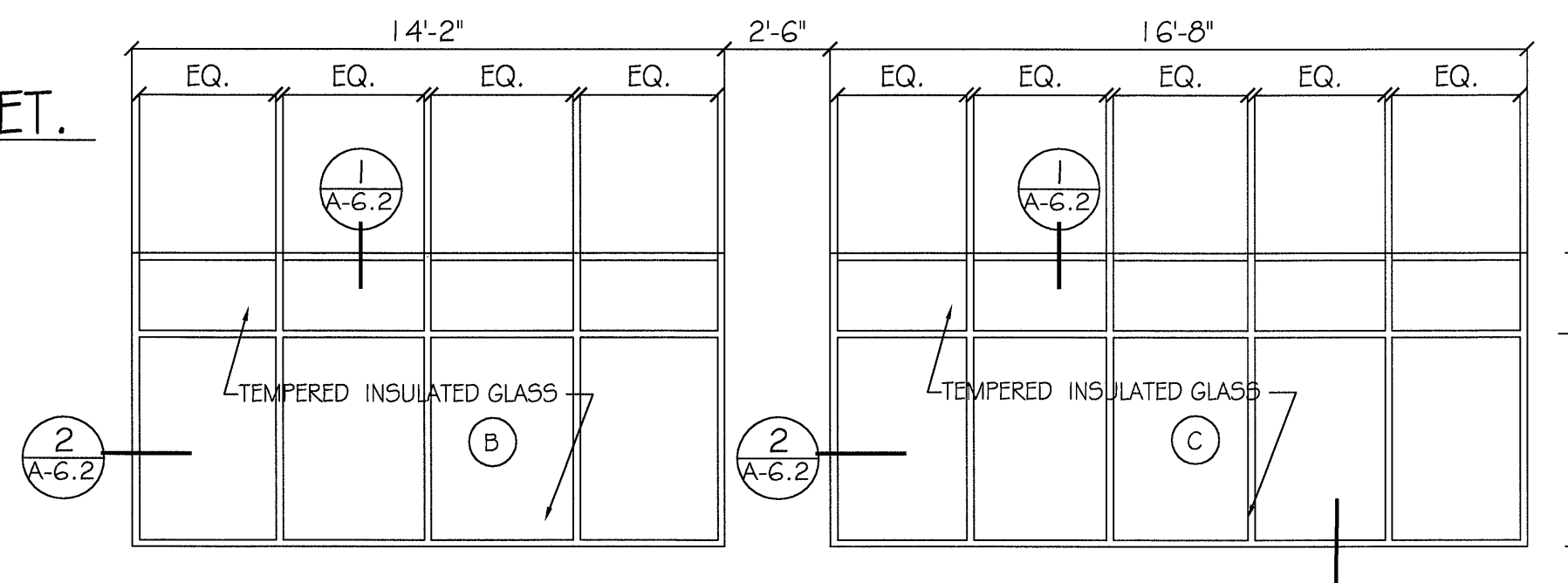


8 WINDOW SILL DET. SCALE: 1" = 1'-0"

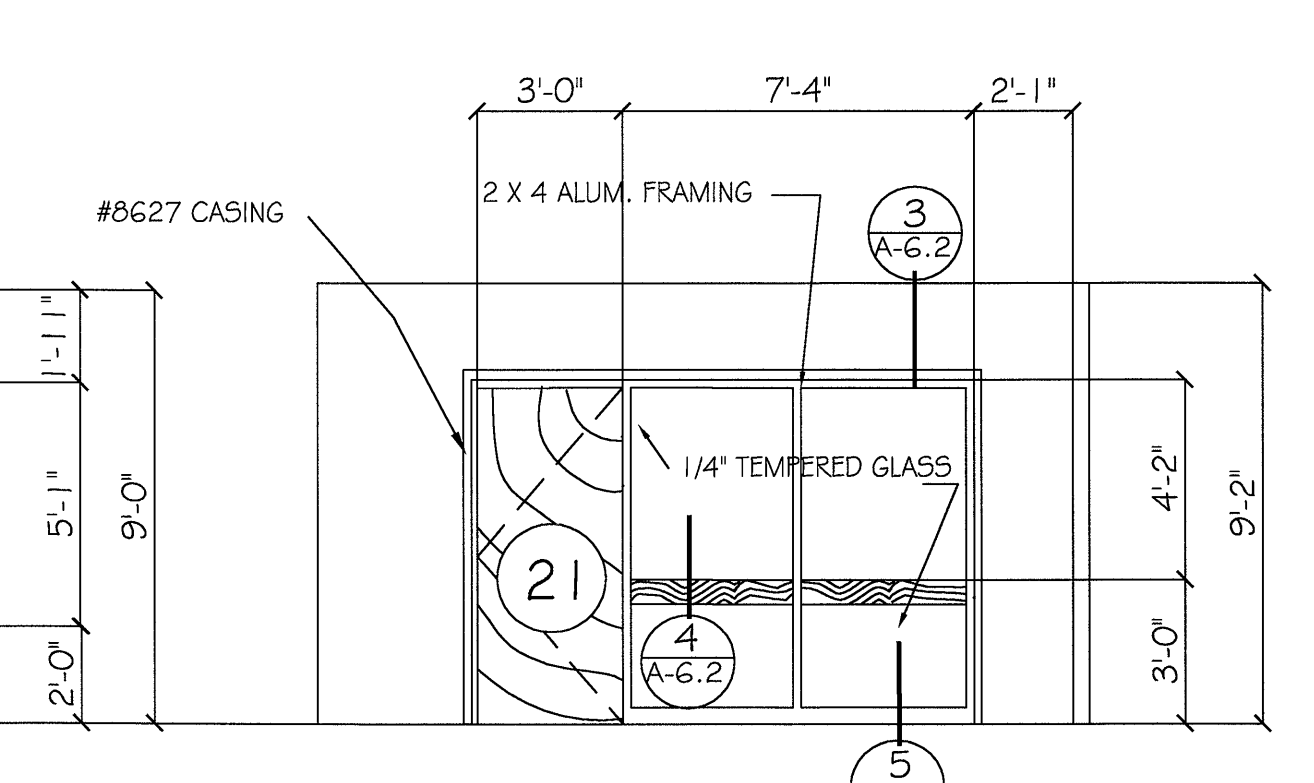


2 VINYL WINDOW FRAMING JAMB EXTERIOR WINDOW SCALE: 1" = 1'-0"

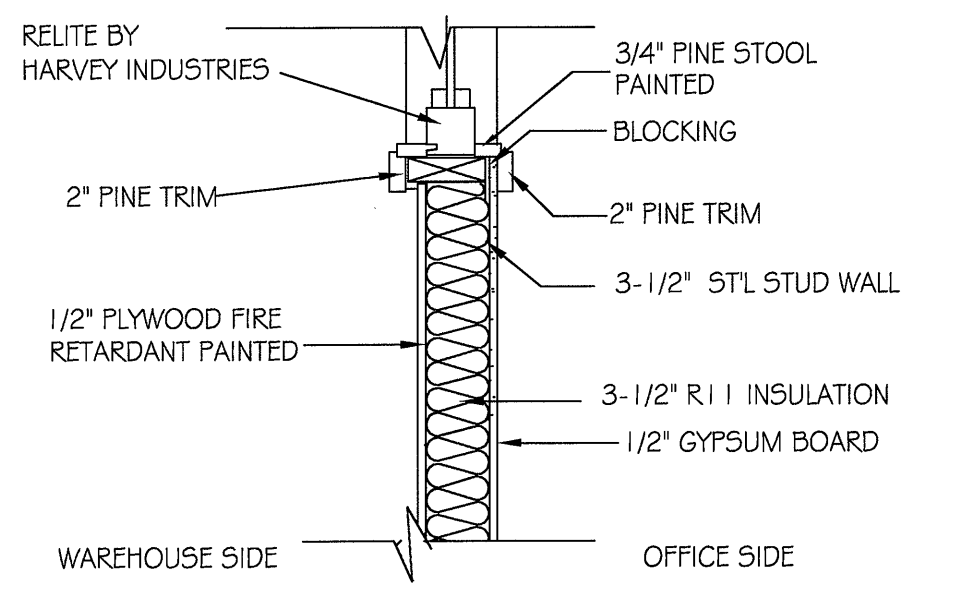
EXTERIOR WINDOWS SECOND FLOOR SCALE: 1/4" = 1'-0"



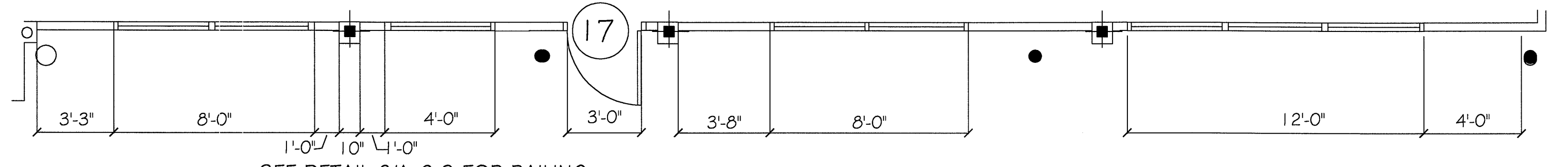
FIRST FLOOR EXTERIOR WINDOWS SCALE: 1/4" = 1'-0"



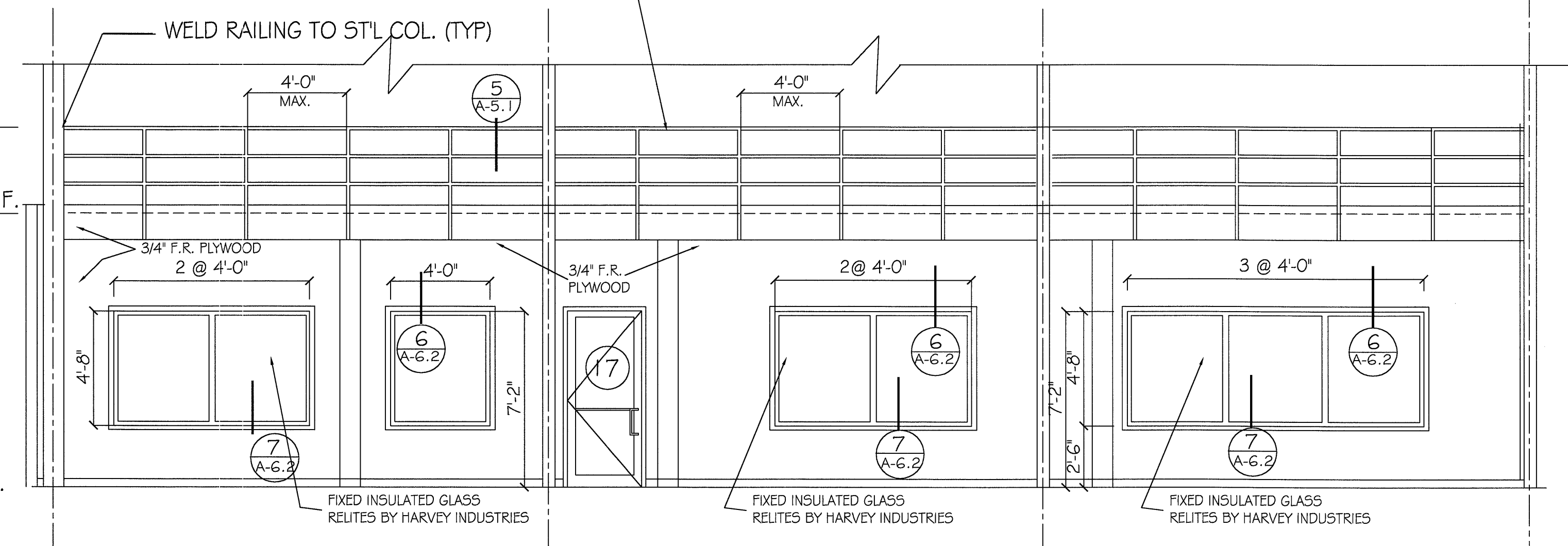
9 MANAGERS OFFICE ELEVATION SCALE: 1/4" = 1'-0"



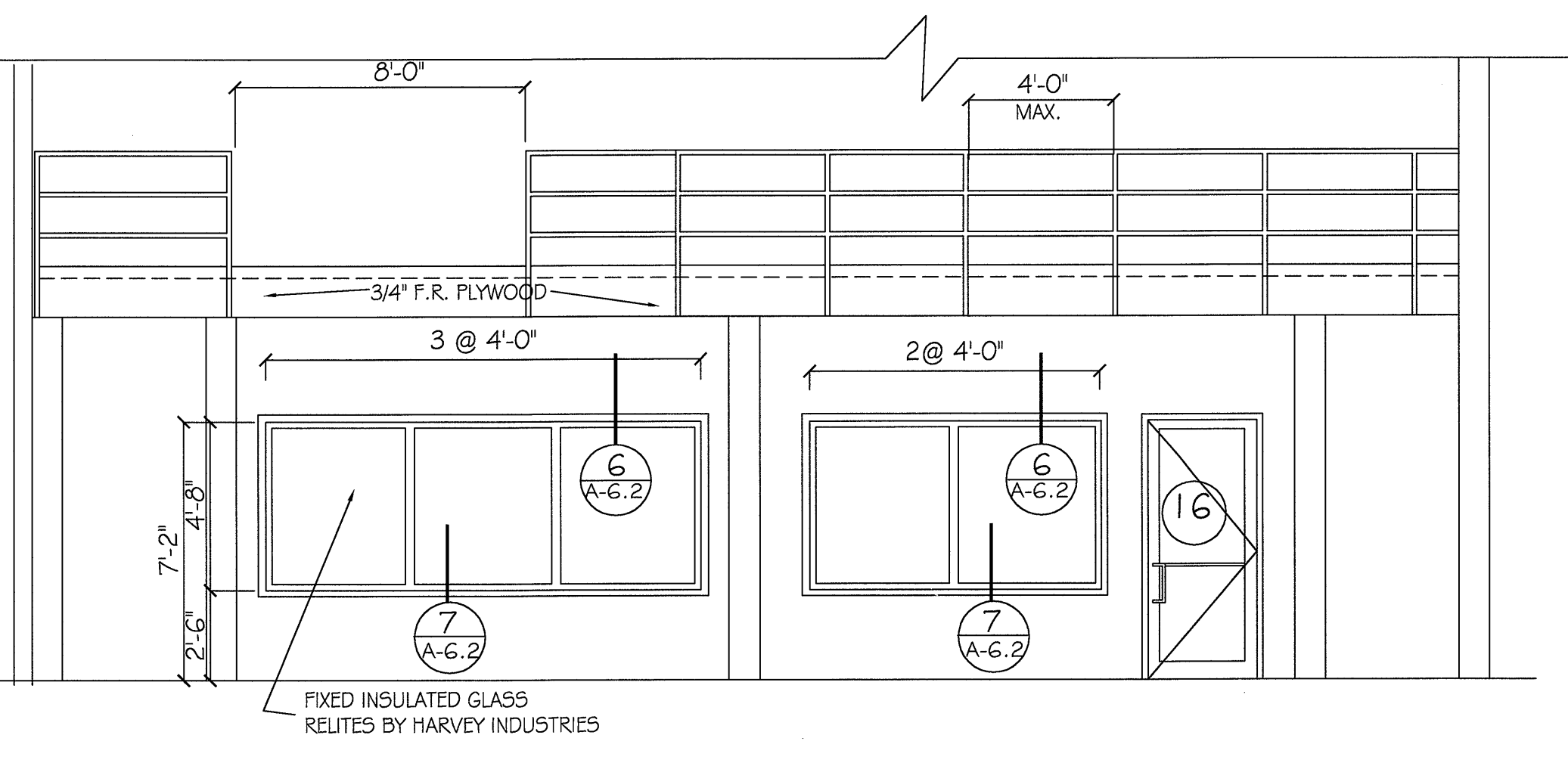
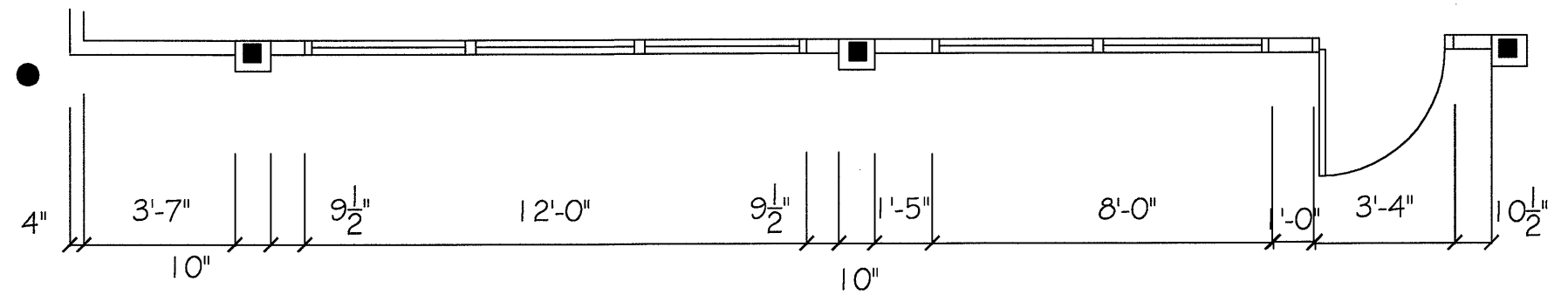
7 WINDOW SILL DET. SCALE: 1" = 1'-0"



SEE DETAIL 8/A-6.3 FOR RAILING



10 INTERIOR WINDOWS - CUSTOMER AREA SCALE: 1/4" = 1'-0"



11 INTERIOR WINDOWS - CUSTOMER AREA SCALE: 1/4" = 1'-0"