

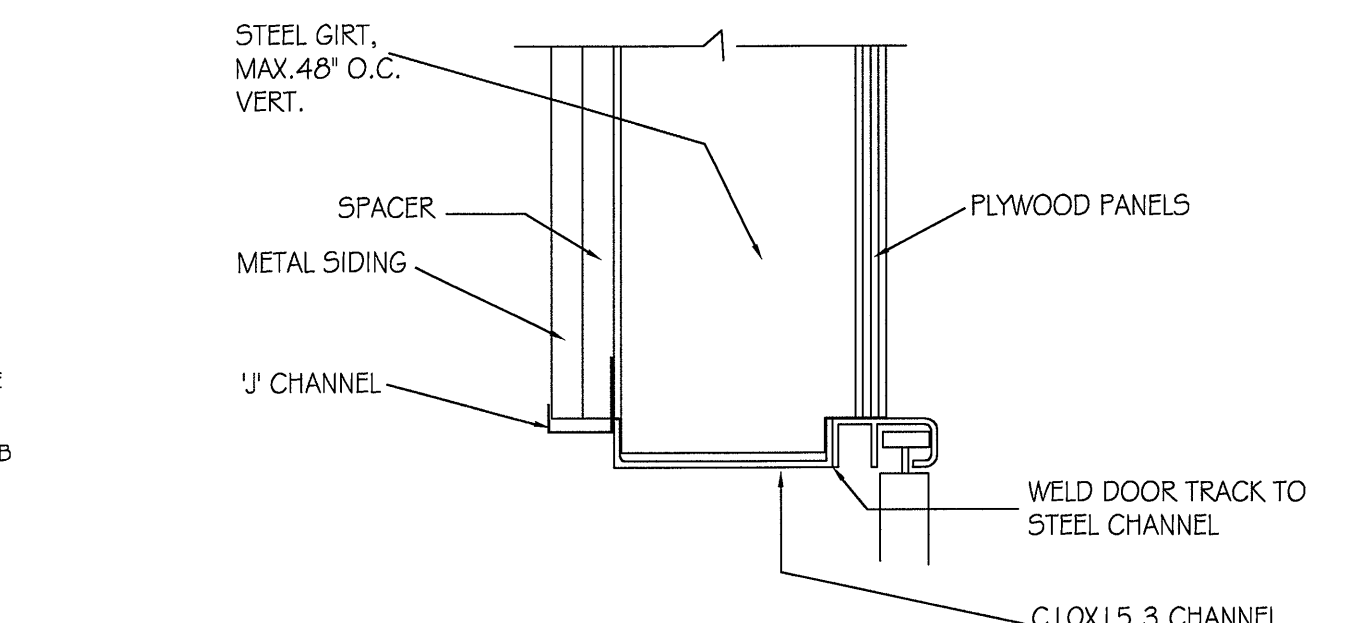
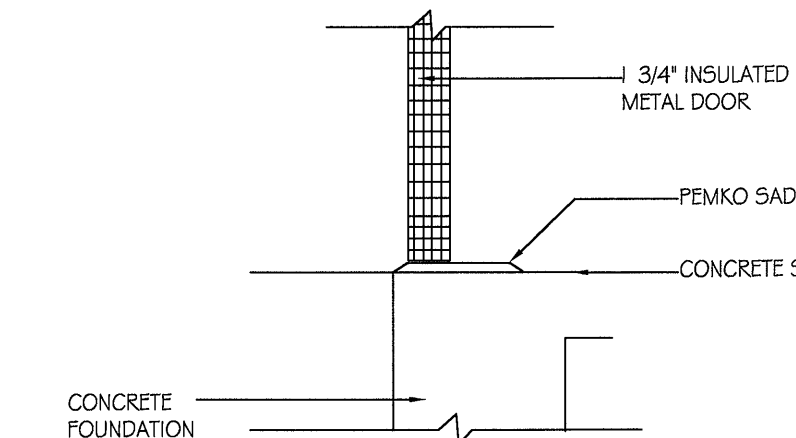
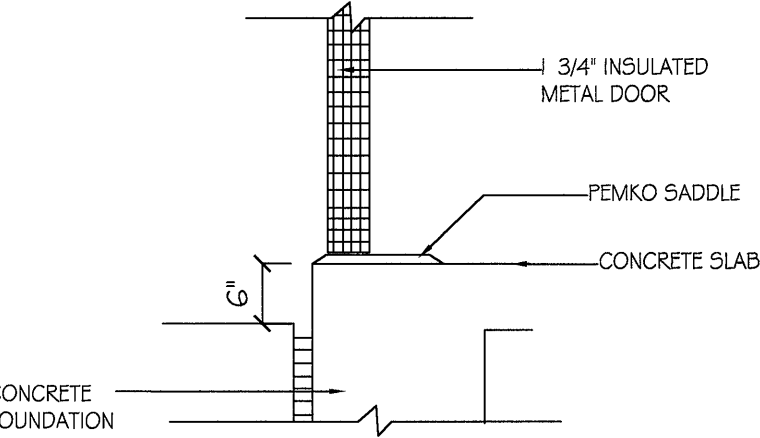
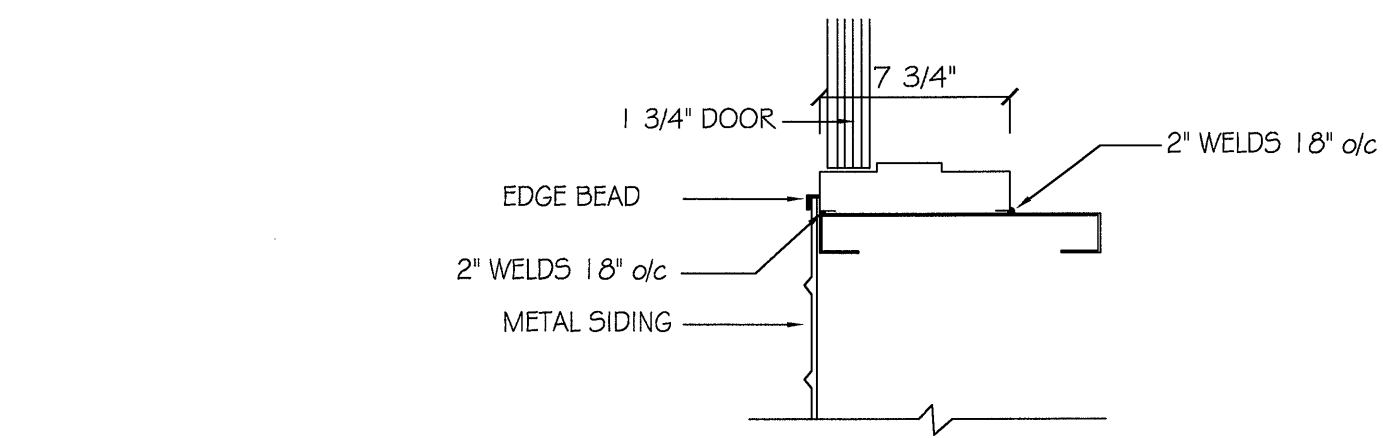
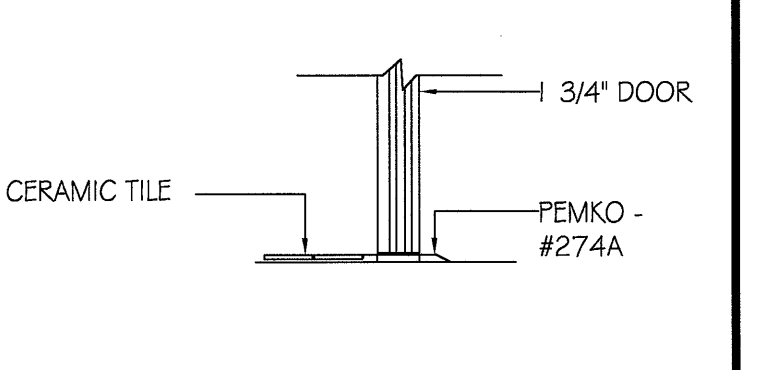
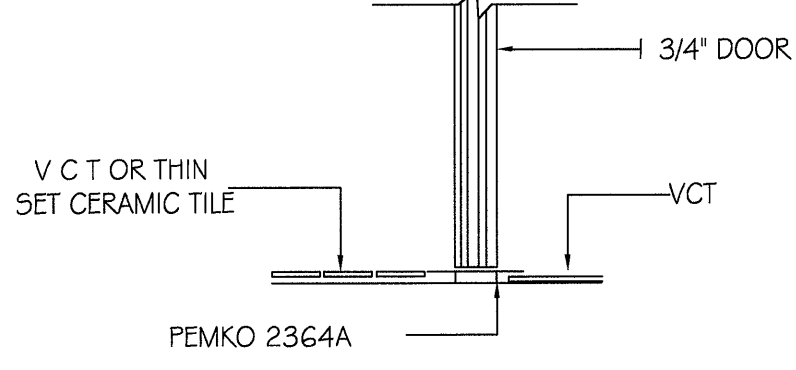
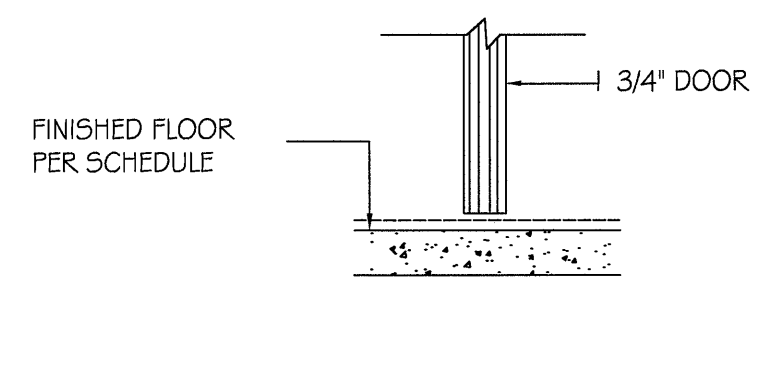
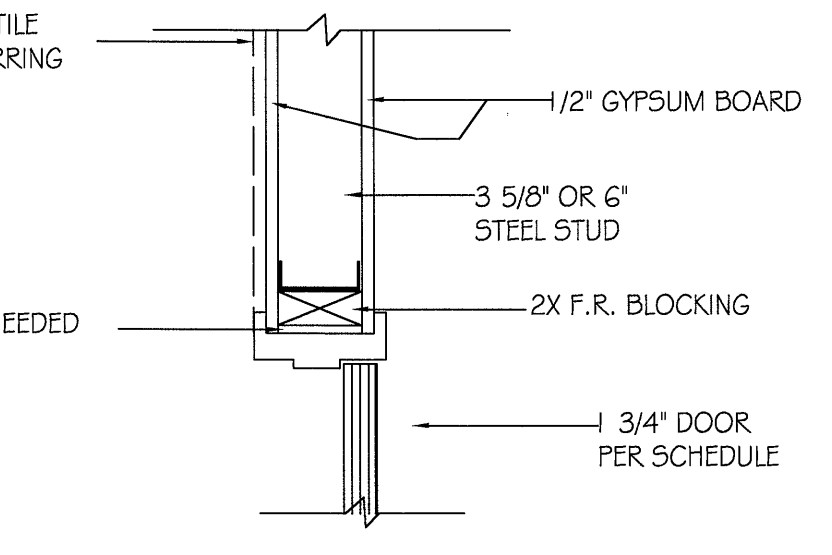
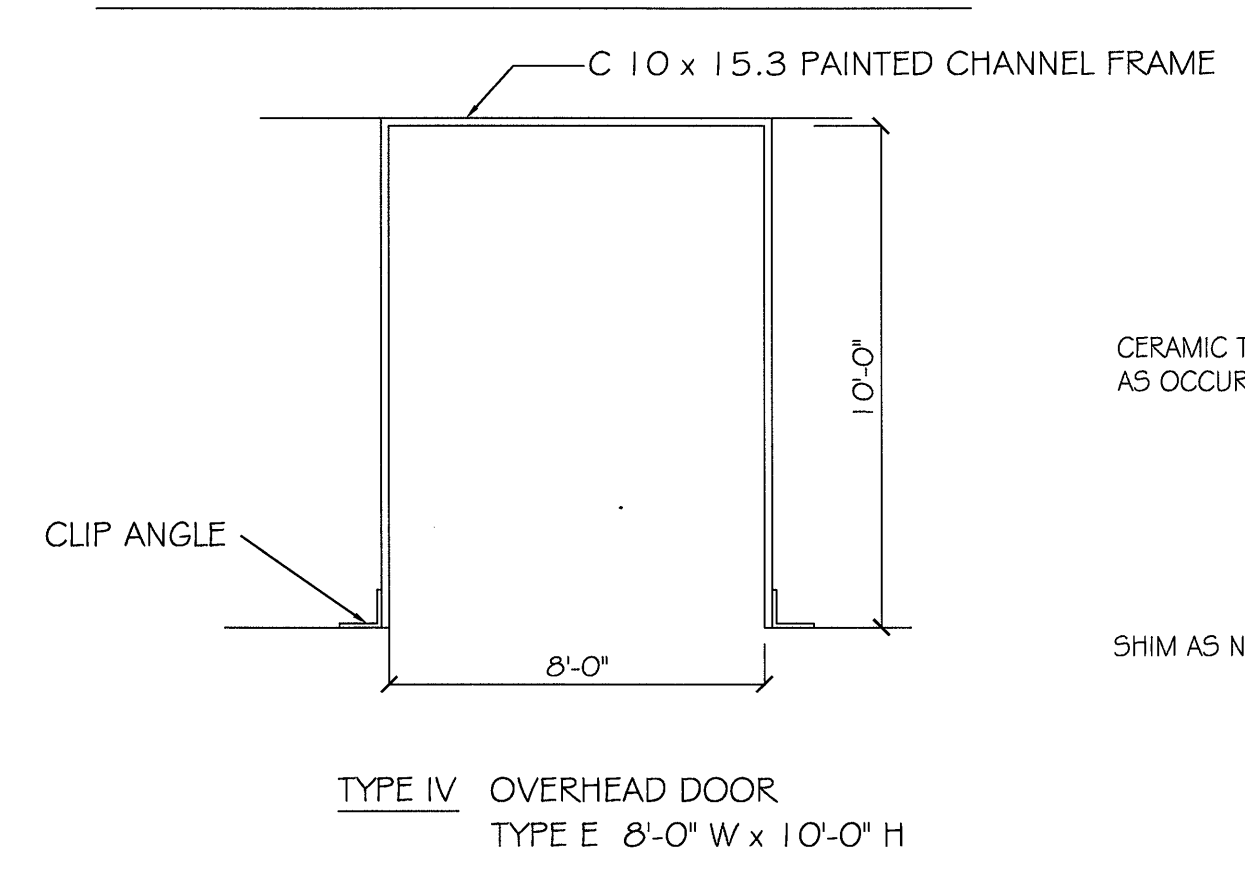
FRAME TYPES

- Set A: 30' x 70'
Aluminum doors and frames by U.S. Aluminum Corporation
Finish: Frame - White Kynar; Door - White Kynar
1 1/2 pr. Butt hinges by door manufacturer
Concealed overhead closer with hold open LCN 2030 series
Hiawatha Push/Pull 658 A x 1081 LBP x 10' x 1' x US32
Adams Rite Dead Bolt lock # 4510 with thumb turn on interior
Holder by door manufacturer
Saddle by door manufacturer
- Set B: 30' x 70'
Aluminum doors and frames by U.S. Aluminum Corporation
Finish: Frame - White Kynar; Door - White Kynar
1 1/2 pr. Butt hinges by door manufacturer
Concealed overhead closer with hold open LCN 2030 series
Hiawatha Push Pull 658A x 1081 LBP x 10' x 1' x US32
Saddle by door manufacturer
Holder by door manufacturer
- Set 1 - Lockset (Metal x Metal)
1 1/2 pr. Hinges FBB-199 x NRP x 626
Lockset L-9453 x 06-L x 626
Closer w/ Hold Open 4040 x AL x TB
Kickplate 6 x 34 x 32D
Weatherstripping 303 AV
Threshold 274 A
- Set 2 - Lockset Set- (Wood x Aluminum)
1 1/2 pr. Hinges FBB-179 x 626
Passage Set 5-51-PD x Saturn x 626
Floor Stop 438 x 26D
- Set 2a - Lock Set (Wood x Metal)
1 1/2 pr. Hinges F-179 x 626
Lock Set 5-51-PD x Saturn x 626
Floor Stop 438 x 26D
- Set 3 - Passage Set (Wood x Metal)
1 1/2 pr. Hinges F-179 x 626
Passage Set 5-10-D x Saturn x 626
Floor Stop 438 x 26D
- Set 4 - Privacy Set (Wood x Metal)
1 1/2 pr. Closer Hinges 2060 Closer x 626
Privacy Set 5-40-D x Saturn x 626
Kickplate 8x 34x 32D
Saddle 236A
Floor Stop 438 x B26D
- Set 5 - Push/Pull (Wood x Metal)
1 1/2 pr. Hinges FBB-179 x 626
Push Rockwood 4" x 16" x 32D
Pull Hiawatha 658A 12"CTC 1" 32D
Closer 4041 x AL x TB
Kickplate 8" x 34" x 32D
Floor stop 438 x B26D
Saddle 274 A
- Set 6 - Paired Doors (Wood x Metal)
3 pr. Hinges F-179 x 626
Dummy Set 5-170 x Saturn x 626
Hinge Stop #70
Roller Latches Ives Recessed
- Set 7 - Passage Set (Metal x Metal)
1 1/2 pr. Hinges FBB-179 x 626
Passage Set D-10-5 x Orbit x 626
Closer 4041 x AL x TB
Floor Stop 438 x 26D

- NOTES:
- Hinges: Stanley 4-1/2 x 4-1/2 5 Knuckle Closer Hinges Stanley 4-1/2 x 4-1/2
 - Operating Hardware: Stanley L, D, # 5 Series
 - Closers: LCN, Thur Bolt
 - Weatherstripping & Thresholds: Pemko
 - Bolts, Stops: Ives
 - All doors shall be equipped with silencers

DOOR SCHEDULE

NO.	SIZE	THICK	DOOR			FRAME			OPERATING MECHANISM	SETS	REMARKS
			MAT'L	TYPE	DETAIL	MAT'L	TYPE	JAMB WIDTH			
1	(2)3'-0" x 7'-0"	-	ALUM.	A	ALUM.	-	-	LOCKSET	A		
2	(2)3'-0" x 7'-0"	-	ALUM.	A	ALUM.	-	-	PUSH/PULL	B		
3	3'-0" x 7'-0"	1 3/4"	INSUL. METAL	C	METAL	I	5 # 7 5 3/4"	LOCKSET	I		
4	8'-0" x 10'-0"	-	INSUL. METAL	E	STEEL	IV	8	-	-	FULL VERTICAL LIFT	
5	8'-0" x 10'-0"	-	INSUL. METAL	E	STEEL	IV	8	-	-	FULL VERTICAL LIFT	
6	8'-0" x 10'-0"	-	INSUL. METAL	E	STEEL	IV	8	-	-	FULL VERTICAL LIFT	
7	8'-0" x 10'-0"	-	INSUL. METAL	E	STEEL	IV	8	-	-	FULL VERTICAL LIFT	
8	8'-0" x 10'-0"	-	INSUL. METAL	E	STEEL	IV	8	-	-	FULL VERTICAL LIFT	
9	3'-0" x 7'-0"	1 3/4"	INSUL. METAL	C	METAL	I	5 # 6 5 3/4"	LOCKSET	I		
10	12'-0" x 14'-0" V.I.F.	-	INSUL. METAL	F	STEEL	V	8	-	-	HI-LIFT	
11	3'-0" x 7'-0"	1 3/4"	INSUL. METAL	C	METAL	I	5 # 7 5 3/4"	LOCKSET	I		
12	12'-0" x 14'-0"	-	INSUL. METAL	F	STEEL	V	8	-	-	HI-LIFT	
13	3'-0" x 7'-0"	1 3/4"	INSUL. METAL	C	METAL	I	5 # 7 5 3/4"	LOCKSET	I		
14	3'-0" x 7'-0"	1 3/4"	INSUL. METAL	C	METAL	I	5 # 6 5 3/4"	LOCKSET	I		
15	3'-0" x 7'-0"	1 3/4"	OAK	B	METAL	II	1 # 4 5 3/4"	PUSH/PULL	5		
16	3'-0" x 7'-0"	-	ALUM.	A	ALUM.	-	-	LOCKSET	A		
17	3'-0" x 7'-0"	-	ALUM.	A	ALUM.	-	-	LOCKSET	A		
18	3'-0" x 7'-0"	1 3/4"	OAK	D	METAL	III	1 # 2 5 3/4"	PASSAGE SET	3		
19	3'-0" x 7'-0"	1 3/4"	OAK	B	METAL	III	1 # 4 5 3/4"	PRIVACY LOCK	4		
20	3'-0" x 7'-0"	1 3/4"	OAK	B	METAL	III	1 # 4 5 3/4"	PRIVACY LOCK	4		
21	3'-0" x 7'-0"	1 3/4"	OAK	B	METAL	III	1 # 2 5 3/4"	PASSAGE SET	3		
22	(2) 2'-0" x 7'-0"	1 3/4"	OAK	B	METAL	III	1 # 2 5 3/4"	PASSAGE SET	6		
23	3'-0" x 7'-0"	1 3/4"	OAK	B	ALUM.	III	1	LOCKSET	2		
24	3'-0" x 7'-0"	1 3/4"	OAK	B	METAL	III	1 # 2 5 3/4"	PASSAGE SET	3		
25	3'-0" x 7'-0"	1 3/4"	OAK	B	METAL	III	1 # 2 5 3/4"	PASSAGE SET	3		
26	3'-0" x 7'-0"	1 3/4"	OAK	B	METAL	III	1 # 2 5 3/4"	PASSAGE SET	7		
30	3'-0" x 6'-8"	1 3/4"	OAK	B	METAL	III	1 # 2 5 3/4"	LOCKSET	2a		
31	3'-0" x 6'-8"	1 3/4"	OAK	D	METAL	III	1 # 2 5 3/4"	LOCKSET	2a		
32	3'-0" x 6'-8"	1 3/4"	OAK	B	METAL	III	1 # 2	PRIVACY LOCK	4		
33	3'-0" x 6'-8"	1 3/4"	OAK	B	METAL	III	1 # 2	PRIVACY LOCK	4		
34	3'-0" x 6'-8"	1 3/4"	OAK	D	METAL	III	1 # 2 5 3/4"	PASSAGE SET	3	CLOSER	
35	3'-0" x 6'-8"	1 3/4"	OAK	D	METAL	III	1 # 2 5 3/4"	LOCKSET	2a		
41	3'-0" x 7'-0"	1 3/4"	INSUL. METAL	C	METAL	I	5 # 7 5 3/4"	LOCKSET	I		
42	3'-0" x 7'-0"	1 3/4"	INSUL. METAL	C	METAL	I	5 # 7 5 3/4"	LOCKSET	I		
43	18'-0" x 14'-0"	-	METAL	G	STEEL	V	8	-	-	HI-LIFT	
44	18'-0" x 14'-0"	-	METAL	G	STEEL	V	8	-	-	HI-LIFT	
45	3'-0" x 7'-0"	1 3/4"	INSUL. METAL	C	METAL	I	5 # 7 5 3/4"	LOCKSET	I		
46	8'-0" x 10'-0"	1 3/4"	INSUL. METAL	E	STEEL	IV	5 # 7	-	-	FULL VERTICAL LIFT	
47	3'-0" x 7'-0"	1 3/4"	INSUL. METAL	C	METAL	I	5 # 7 5 3/4"	LOCKSET	I		



5- EXTERIOR DOOR JAMB

6- DOOR SILL DETAIL: 6\"/>

7- DOOR SILL DETAIL

8- OVERHEAD DOOR JAMB DETAIL