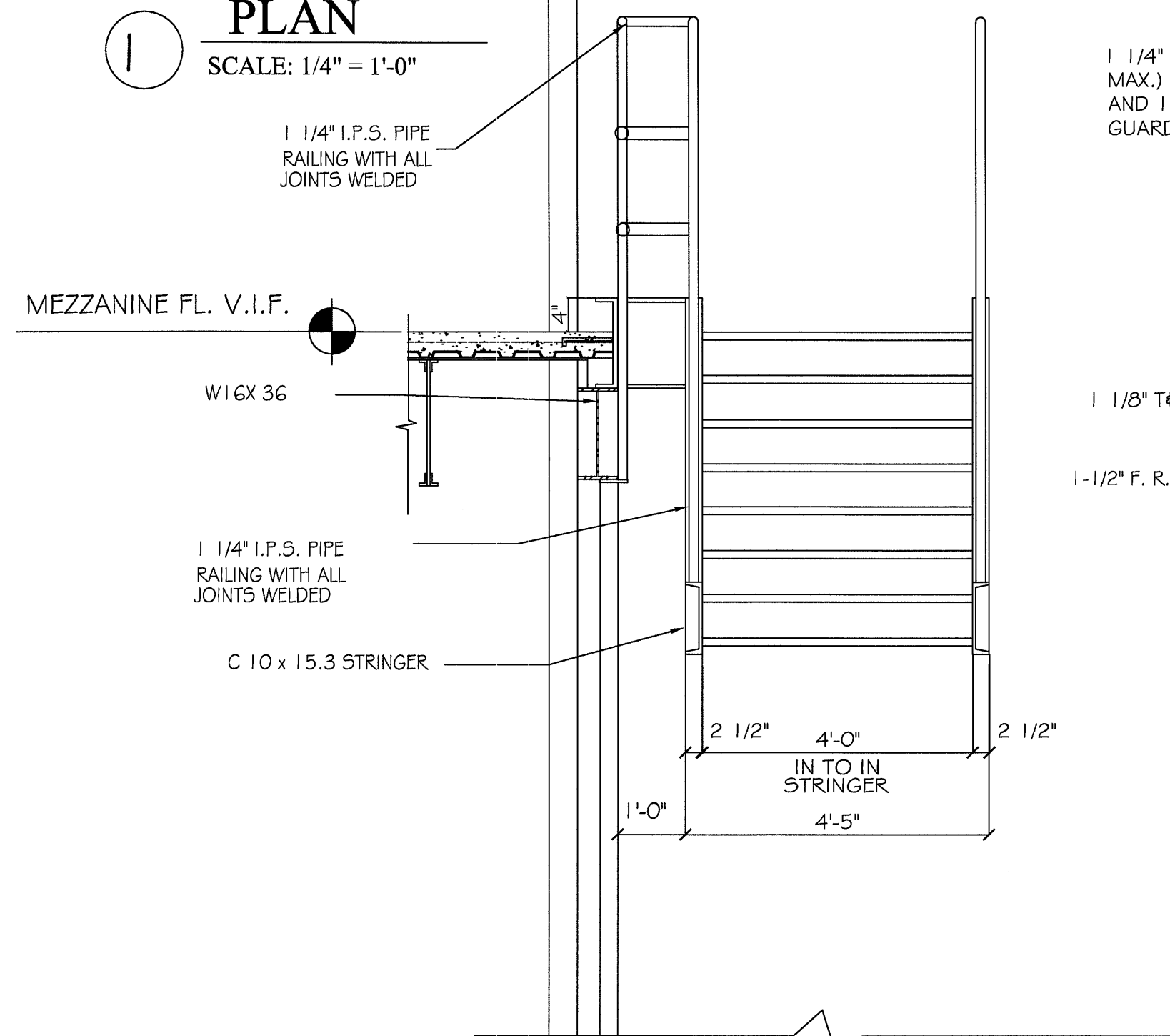
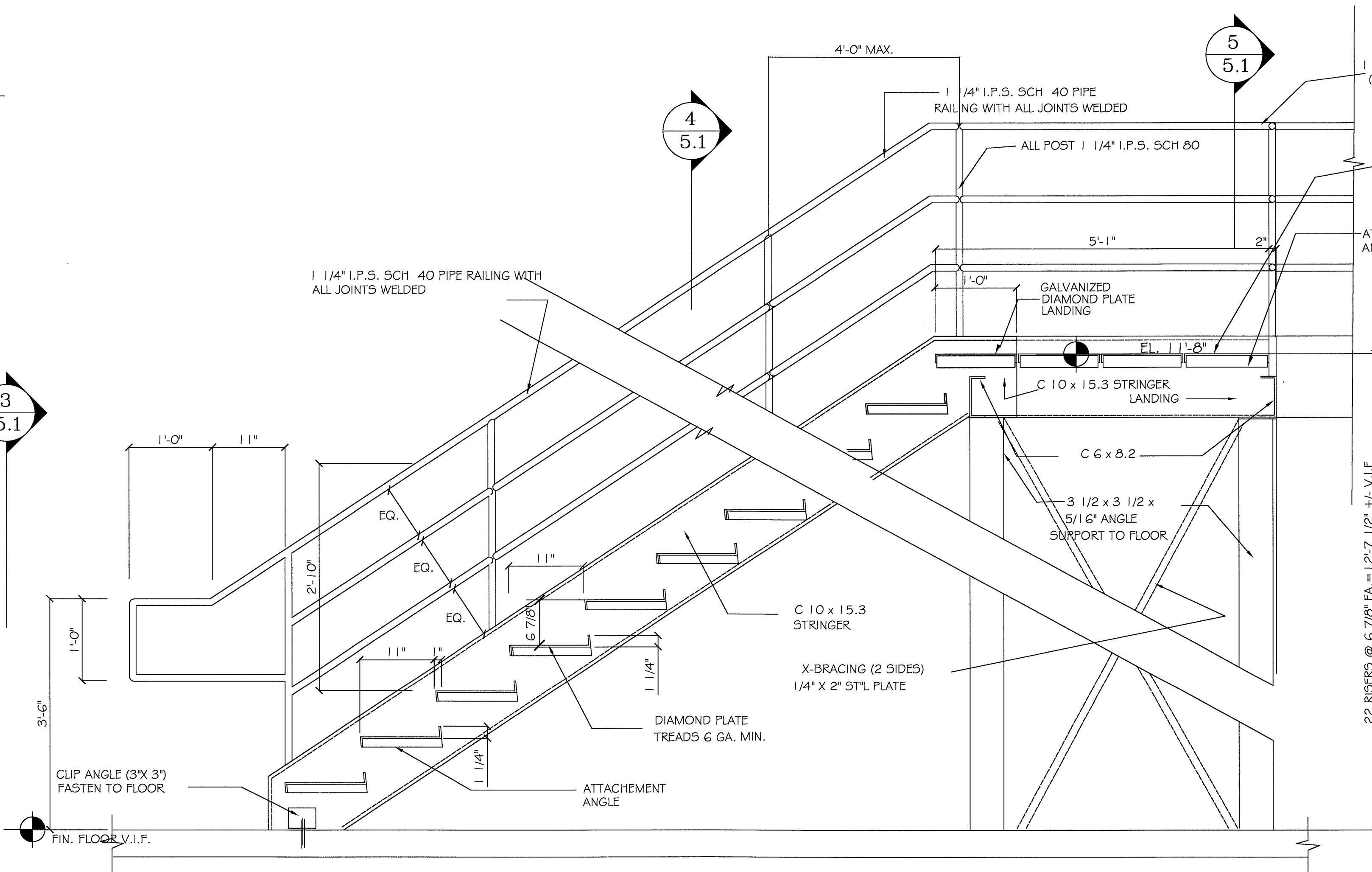


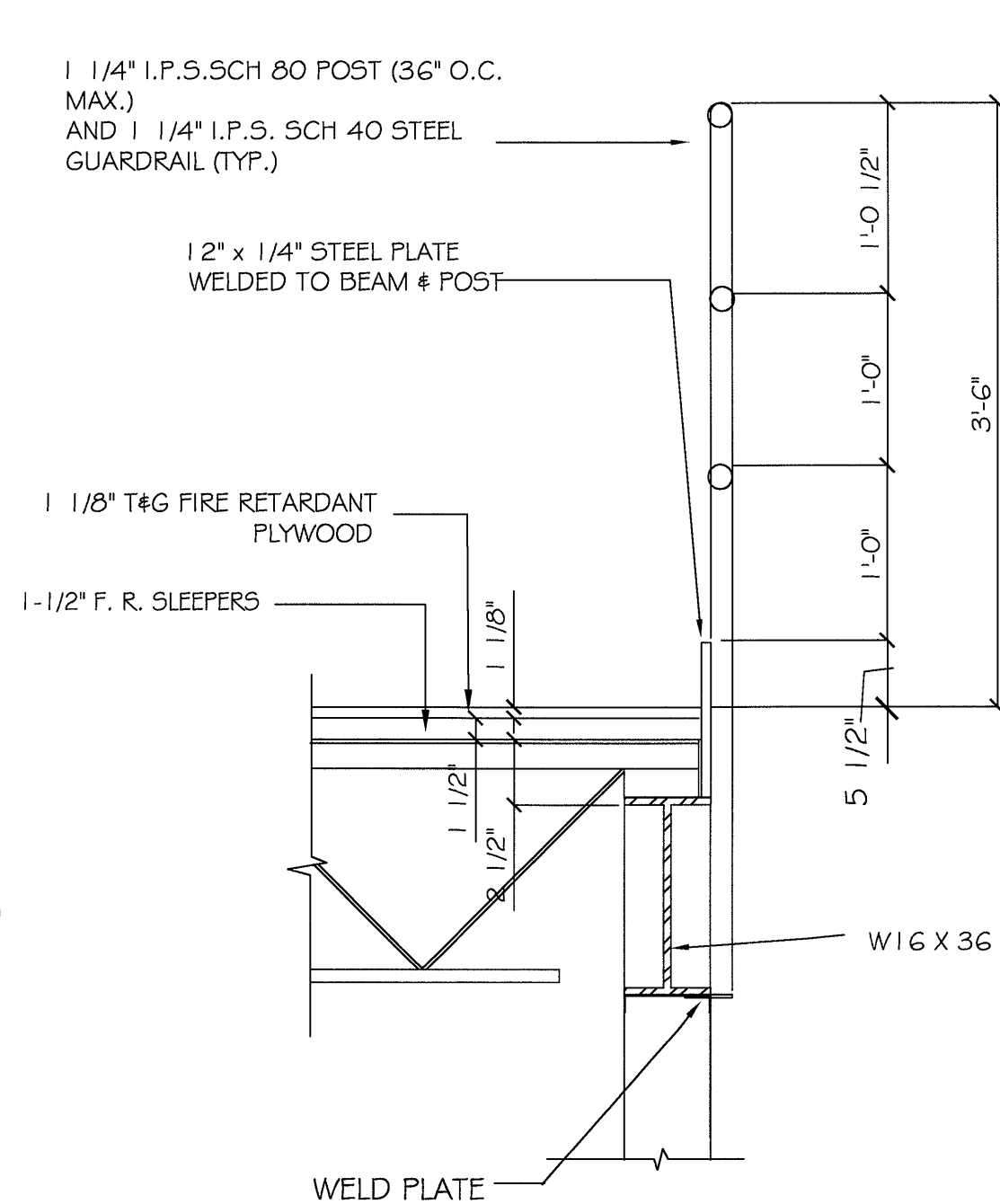
1 PLAN
SCALE: 1/4" = 1'-0"



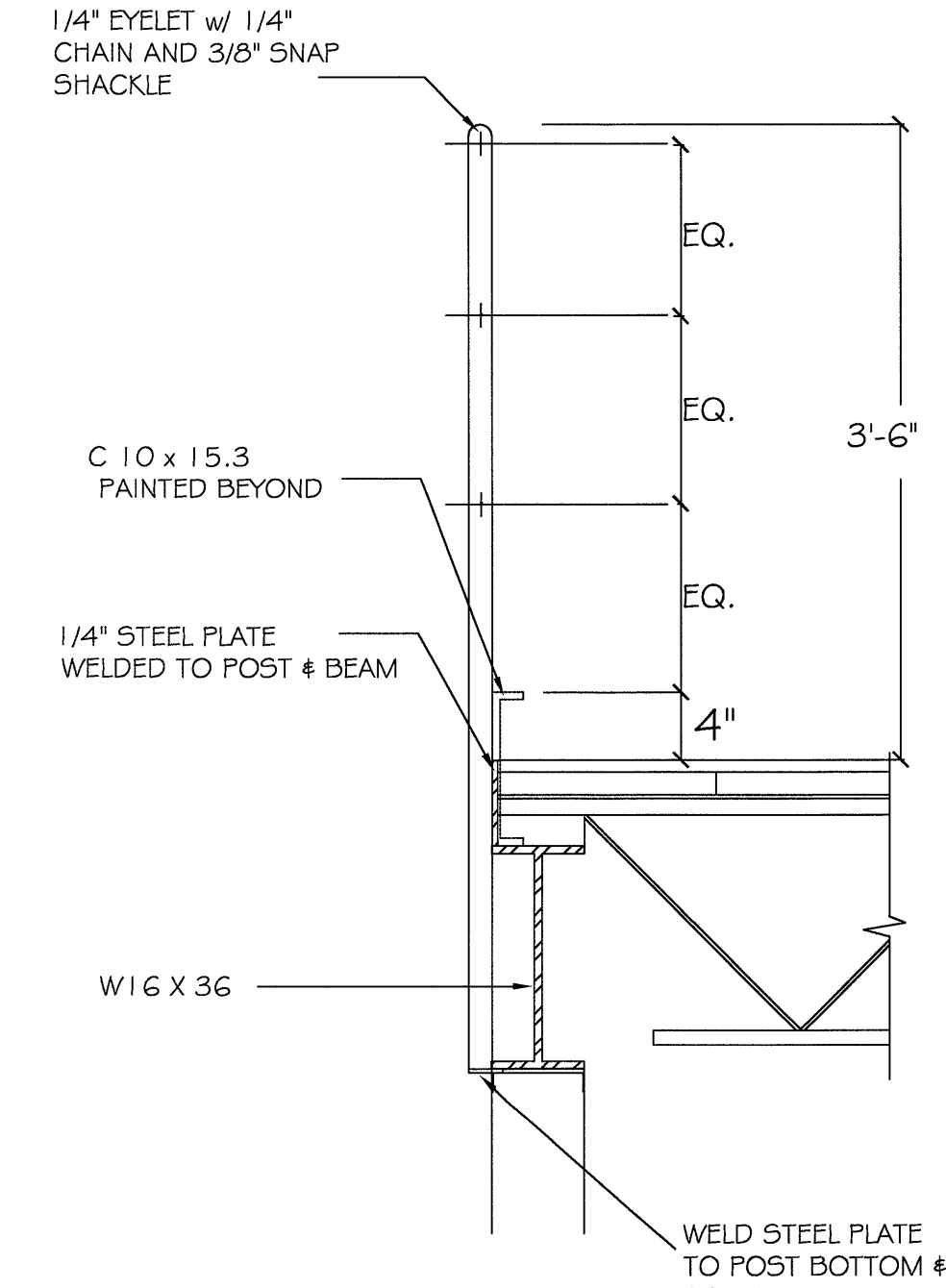
4 SECTION
SCALE: 1" = 1'-0"



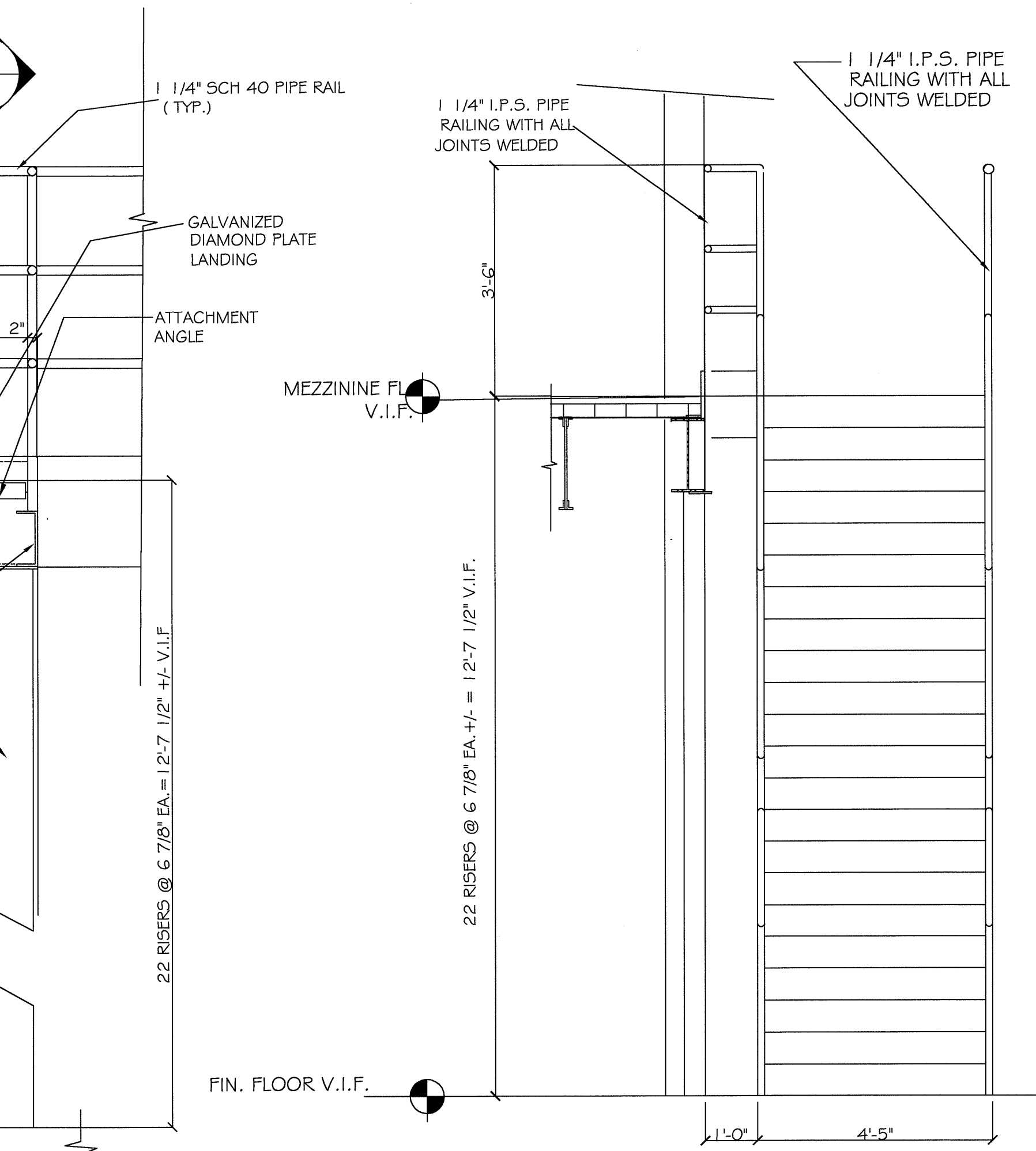
2 SECTION
SCALE: 1" = 1'-0"



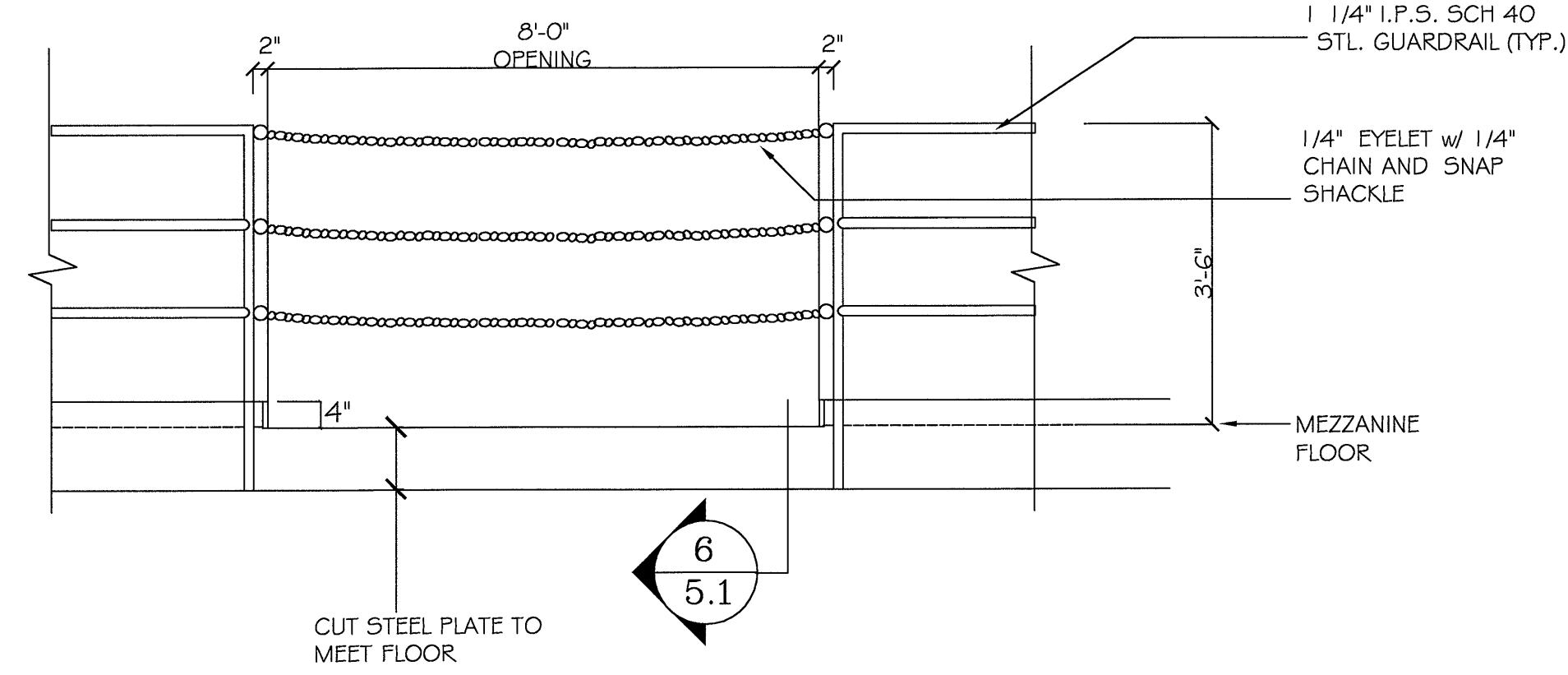
5 SECTION @ RAILING
SCALE: 1" = 1'-0"



6 SECTION
SCALE: 1" = 1'-0"



3 ELEVATION
SCALE: 1" = 1'-0"



7 PARTIAL RAIL ELEVATION
SCALE: 1/2" = 1'-0"

project no.	01-20
drawn	AWG
checked	BBJ
dated	01-21-05