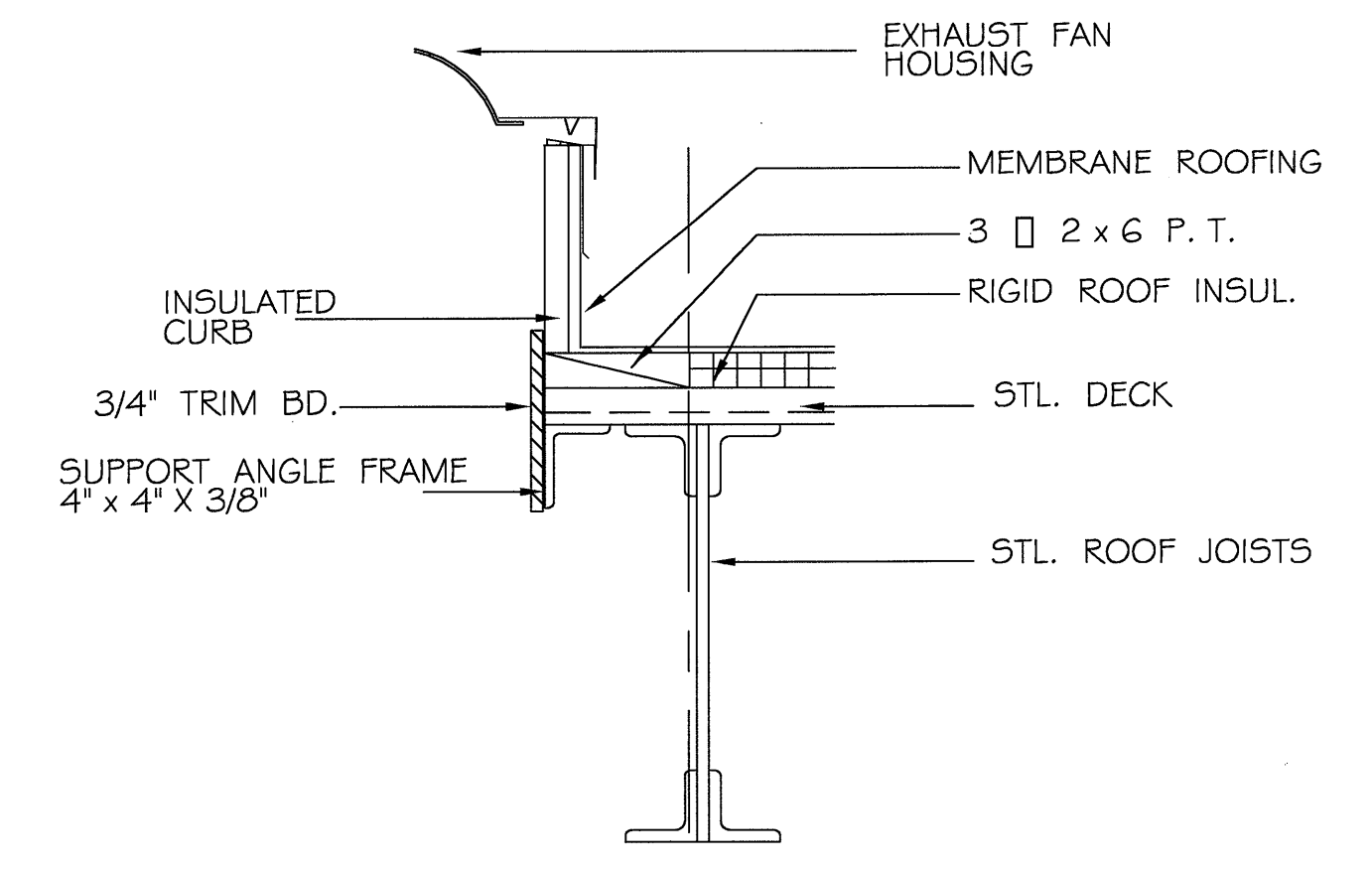
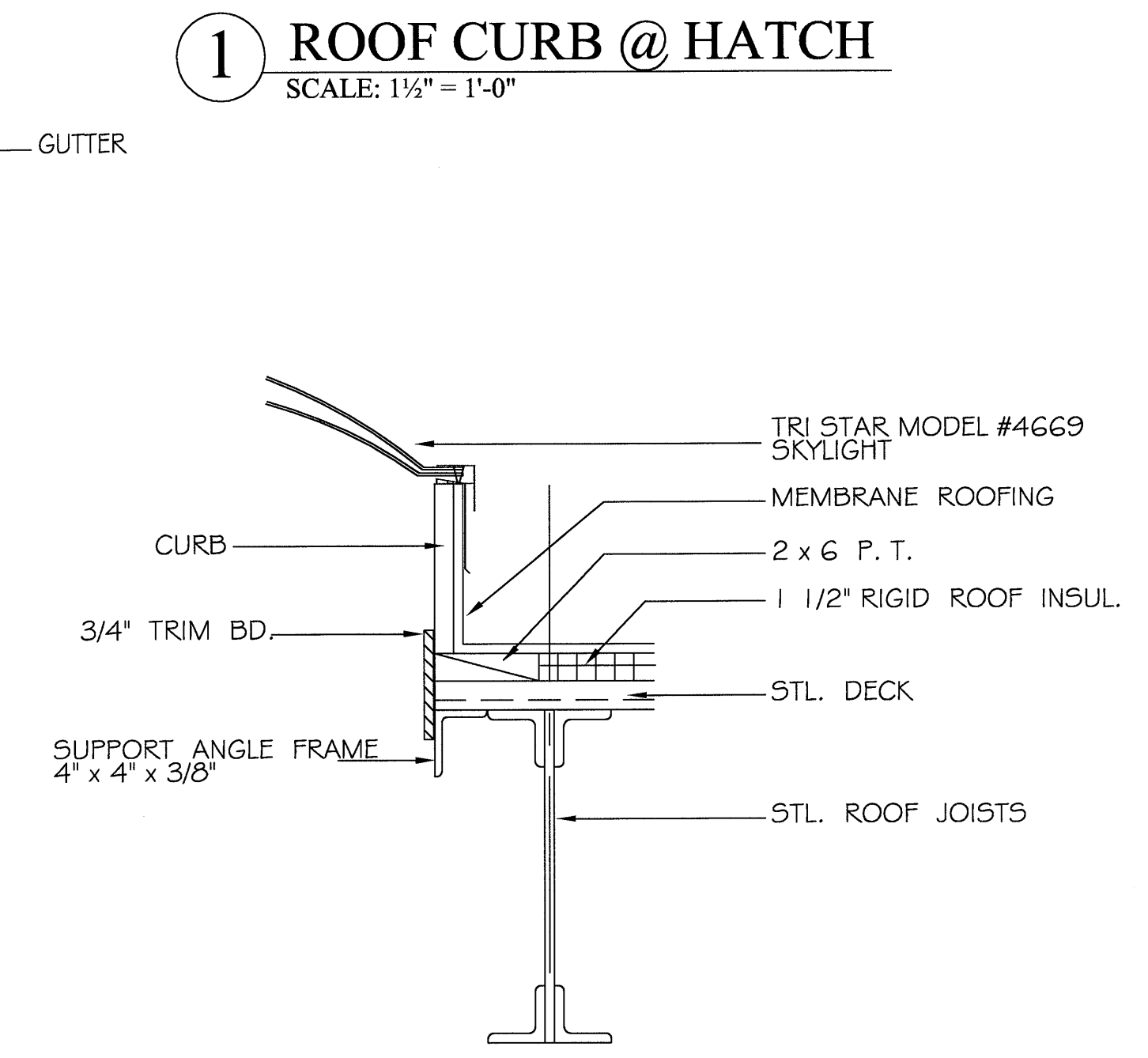
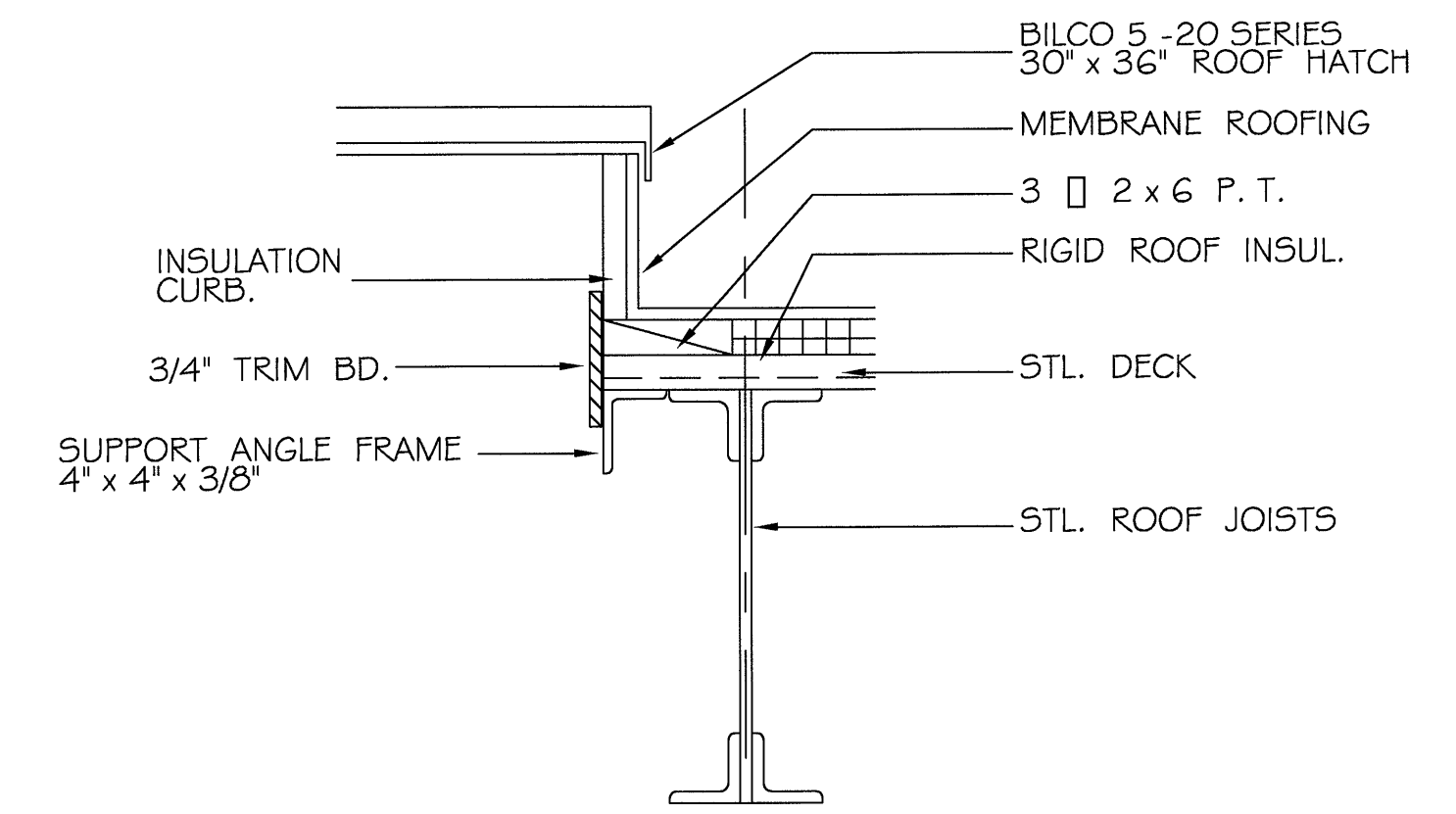


**ROOF PLAN**  
SCALE: 1/16" = 1'-0"



**DION & SOKOL, INC. • ARCHITECTS**

**SUDBURY, MA**

ROOF PLAN & DETAILS

WAREHOUSE FACILITY  
401 RIVERSIDE ST. PORTLAND, ME

HARVEY INDUSTRIES

project no.	01-20
drawn	JMH
checked	RRD
dated	01-21-03

**A-4.1**