

© 2017 RYAN SENATORE ARCHITECTURE

OFFICE BUILDING  
547 RIVERSIDE STREET  
PORTLAND, MAINE



RYAN SENATORE  
ARCHITECTURE  
565 CONGRESS STREET  
PORTLAND, MAINE 04101  
207-650-6414  
senatorearchitecture.com

CONSULTANTS:

REVISIONS:

DATE: DECEMBER 29, 2017

PROJECT No. 1788

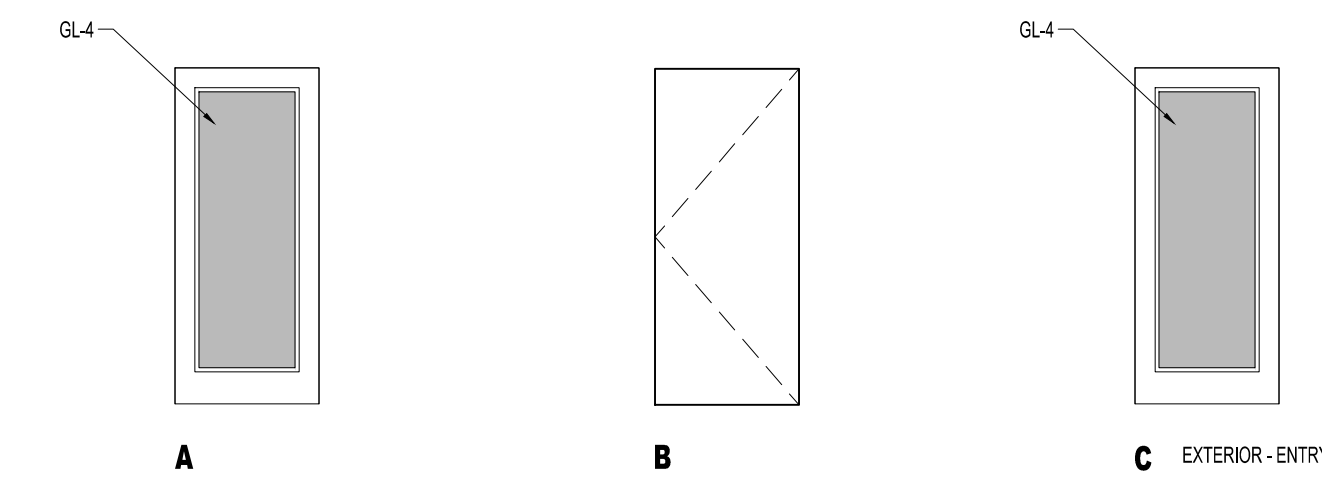
DRAWN BY: RJS, JPF

CHECKED BY: RJS

SCALE: AS NOTED

SHEET TITLE:  
DOOR AND WINDOW SCHEDULE

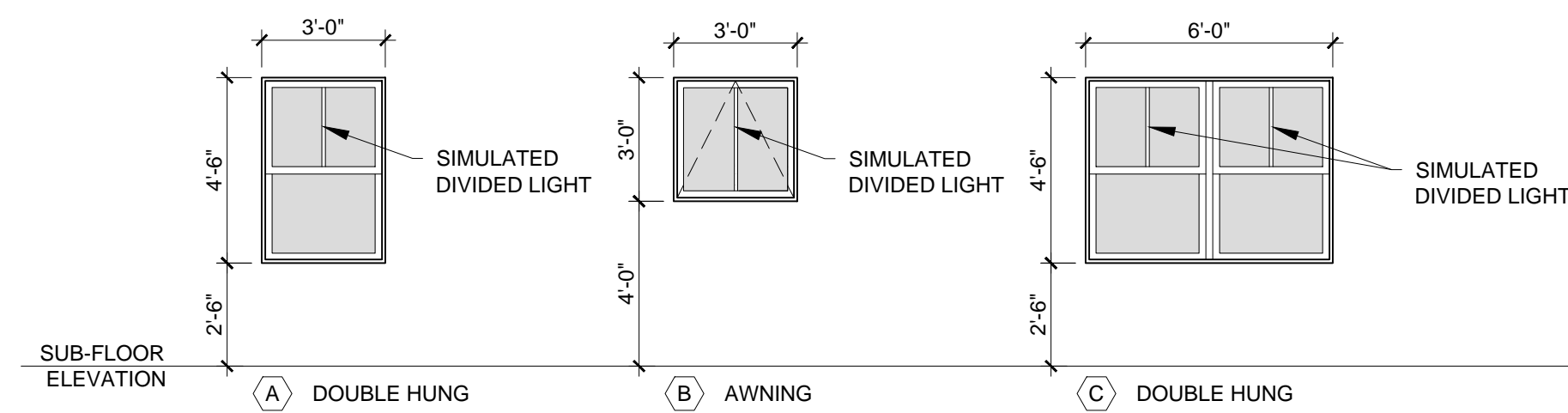
A7-0



1 DOOR TYPES  
1/4" = 1'-0"

DOOR SCHEDULE																				
DOOR NO.	TYPE	DOOR				FRAME				GENERAL										
		WIDTH	HEIGHT	THICKNESS	MATERIAL	FINISH	INSULATED	TYPE	MATERIAL	THRESHOLD	HEAD	JAMB	SILL	CLOSER	FIRE RATING (MINUTES)	FOUR ACCESS	HARDWARE KEY	MATERIALS KEY	FINISH KEY	
100.1	C	3'-0"	7'-0"	1-3/4"	FG	PTD	Y	1	FG	AL	-	-	-	Y	-	-	ENTRY DOOR			
100.2	A	3'-0"	7'-0"	1-3/4"	WD	PTD	Y	1	WD	-	-	-	-	Y	-	-				
102.1	B	3'-0"	7'-0"	1-3/4"	WD	PTD	Y	1	WD	-	-	-	-	-	-	-				
103.1	B	3'-0"	7'-0"	1-3/4"	WD	PTD	Y	1	WD	-	-	-	-	-	-	-				
104.1	B	3'-0"	7'-0"	1-3/4"	WD	PTD	Y	1	WD	-	-	-	-	-	-	-				
105.1	C	3'-0"	7'-0"	1-3/4"	FG	PTD	Y	1	FG	AL	-	-	-	Y	-	-	ENTRY DOOR			

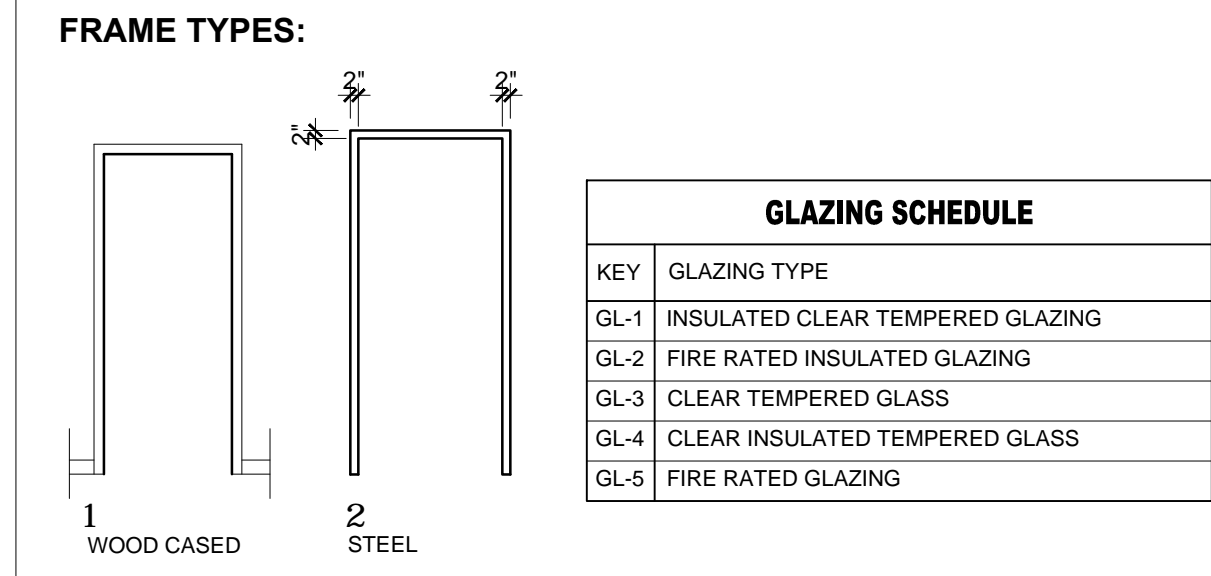
- DOOR NOTES:**
- ALL EXTERIOR GLAZING TO BE LOW-E ARGON FILLED INSULATED GLAZING UNITS
  - FRAME ALL OPENINGS WITH ELEVATIONS
  - SEAL EXTERIOR DOORS TO ROUGH OPENING WITH LOW EXPANDING FOAM INSULATION - SEE DETAILS
  - ALL DOOR HARDWARE TO BE 'LEVER' TYPE
  - ALL EXTERIOR DOORS TO BE WEATHER-STRIPPED
  - ALL DOORS TO BE SOLID CORE DOORS



3 WINDOW TYPES  
1/4" = 1'-0"

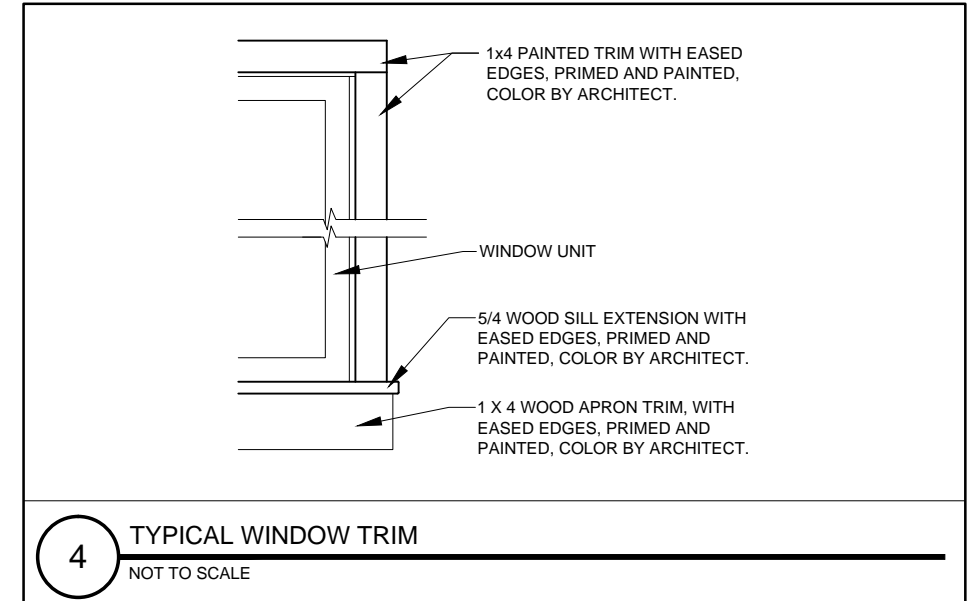
WINDOW SCHEDULE																	
KEY	ACTION	ROUGH OPENING (WH) VIF	R.O. HEAD HEIGHT FROM SUB-FLOOR	DETAILS			MATERIAL	FINISH	FOR TEMPERED GLASS LOCATIONS SEE WINDOW ELEVATION TYPES FOR MASONRY OPENING DIMENSIONS COORDINATE COURSING WITH EXTERIOR ELEVATION SHEETS AND PLAN AND SECTION DETAIL SHEETS								
				HEAD	JAMB	SILL			REMARKS	REMARKS	REMARKS	REMARKS	REMARKS	REMARKS	REMARKS		
A	DH	3'-1" X 4'-6-1/2"	7'-0"	-	-	-	VL	-	-	-	-	-	-	-	-	-	NAILING FLANGE
B	AW	3'-1" X 3'-0-1/2"	7'-0"	-	-	-	VL	-	-	-	-	-	-	-	-	-	NAILING FLANGE
C	DH	6'-1" X 4'-6-1/2"	7'-0"	-	-	-	VL	-	-	-	-	-	-	-	-	-	NAILING FLANGE

- WINDOW NOTES:**
- COORDINATE AND ADJUST ROUGH OPENING DIMENSIONS TO ACCOMMODATE SILL PAN FLASHING SYSTEM
  - FULL SCREENS ALL OPENINGS
  - ALL GLAZING LOCATED WITHIN 18" OF FINISHED FLOOR TO BE TEMPERED GLASS
  - ALL EXTERIOR GLAZING TO BE INSULATED
  - FRAME ALL OPENINGS WITH ELEVATIONS
  - SEAL WINDOW TO ROUGH OPENING WITH LOW EXPANDING FOAMINSULATION - SEE DETAILS

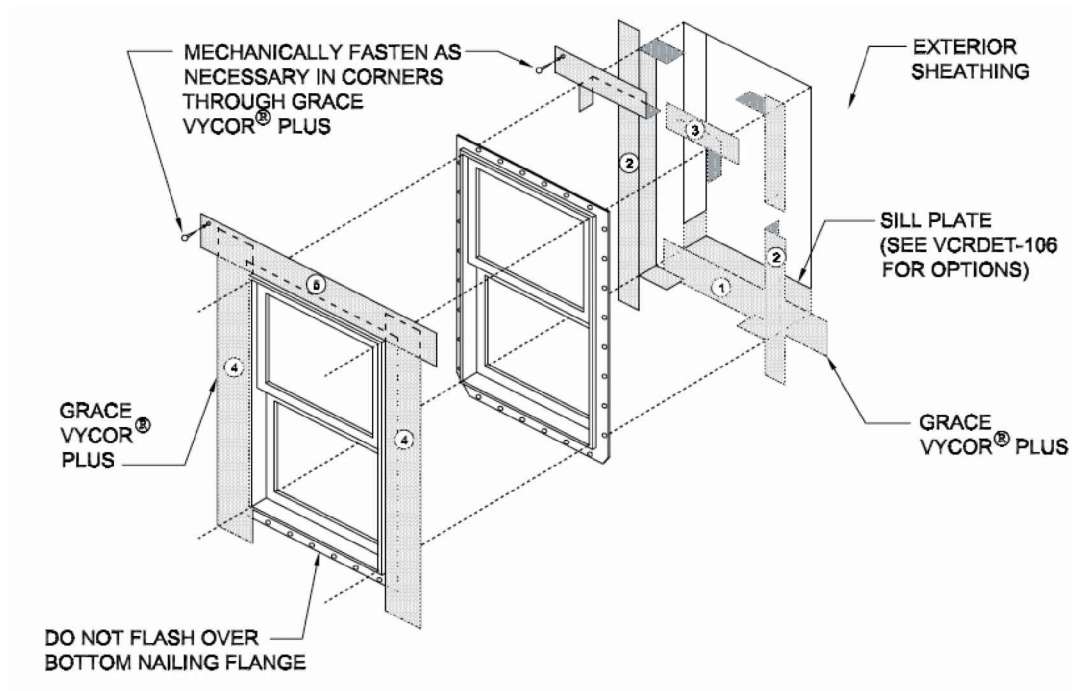


GLAZING SCHEDULE	
KEY	GLAZING TYPE
GL-1	INSULATED CLEAR TEMPERED GLAZING
GL-2	FIRE RATED INSULATED GLAZING
GL-3	CLEAR TEMPERED GLASS
GL-4	CLEAR INSULATED TEMPERED GLASS
GL-5	FIRE RATED GLAZING

WINDOW SCHEDULE LEGEND	
T	= TEMPERED GLASS
FG	= FIBERGLASS
AL	= ALUMINUM
DH	= DOUBLE HUNG
AW	= AWNING
LV	= LOUVER
F	= FIXED
GL	= GLIDER



4 TYPICAL WINDOW TRIM  
NOT TO SCALE



- Notes:**
- For the most current details, installation video and product information, see our web site at [www.graceconstruction.com](http://www.graceconstruction.com)
  - RIPCORD® (Split Release on Demand) can be removed from Grace Vycor® Plus for ease of installation
  - Install Grace Vycor Plus in order shown by numbers
  - If applicable, leave release paper on lower half of sill flashing until future tie-in
  - Install Grace Vycor Plus and weather-resistive barrier to form water-shedding laps
  - Detail also relevant for Grace Vycor V40