

© 2017 RYAN SENATORE ARCHITECTURE

OFFICE BUILDING
547 RIVERSIDE STREET
PORTLAND, MAINE



RYAN SENATORE
ARCHITECTURE
565 CONGRESS STREET
PORTLAND, MAINE 04101
207-650-6414
senatorearchitecture.com

CONSULTANTS:

REVISIONS:

- △ - REVISED - 01/30/18
- △ - REVISED - 02/01/18

DATE: DECEMBER 29, 2017

PROJECT No. 1788

DRAWN BY: RJS, JPF

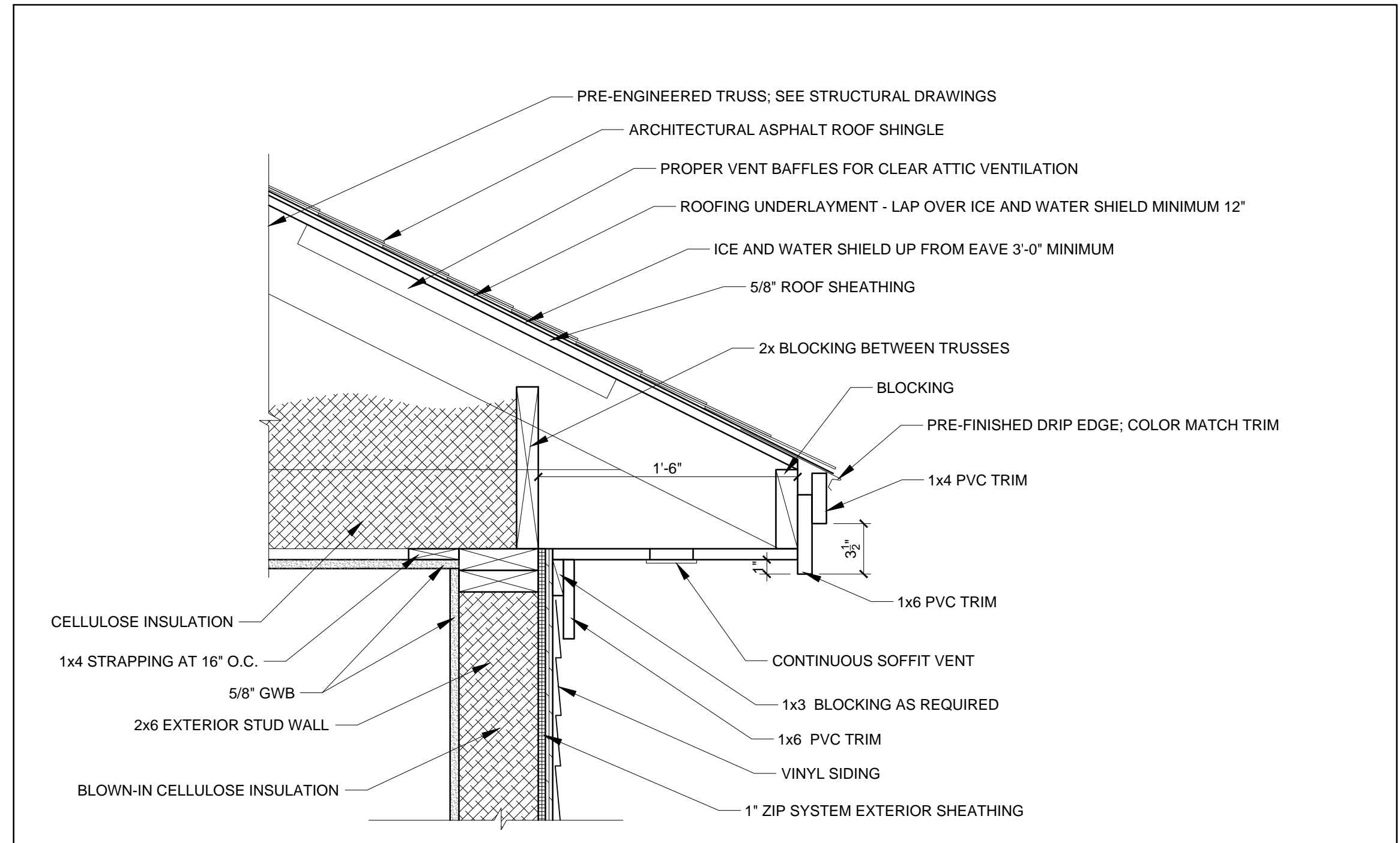
CHECKED BY: RJS

SCALE: AS NOTED

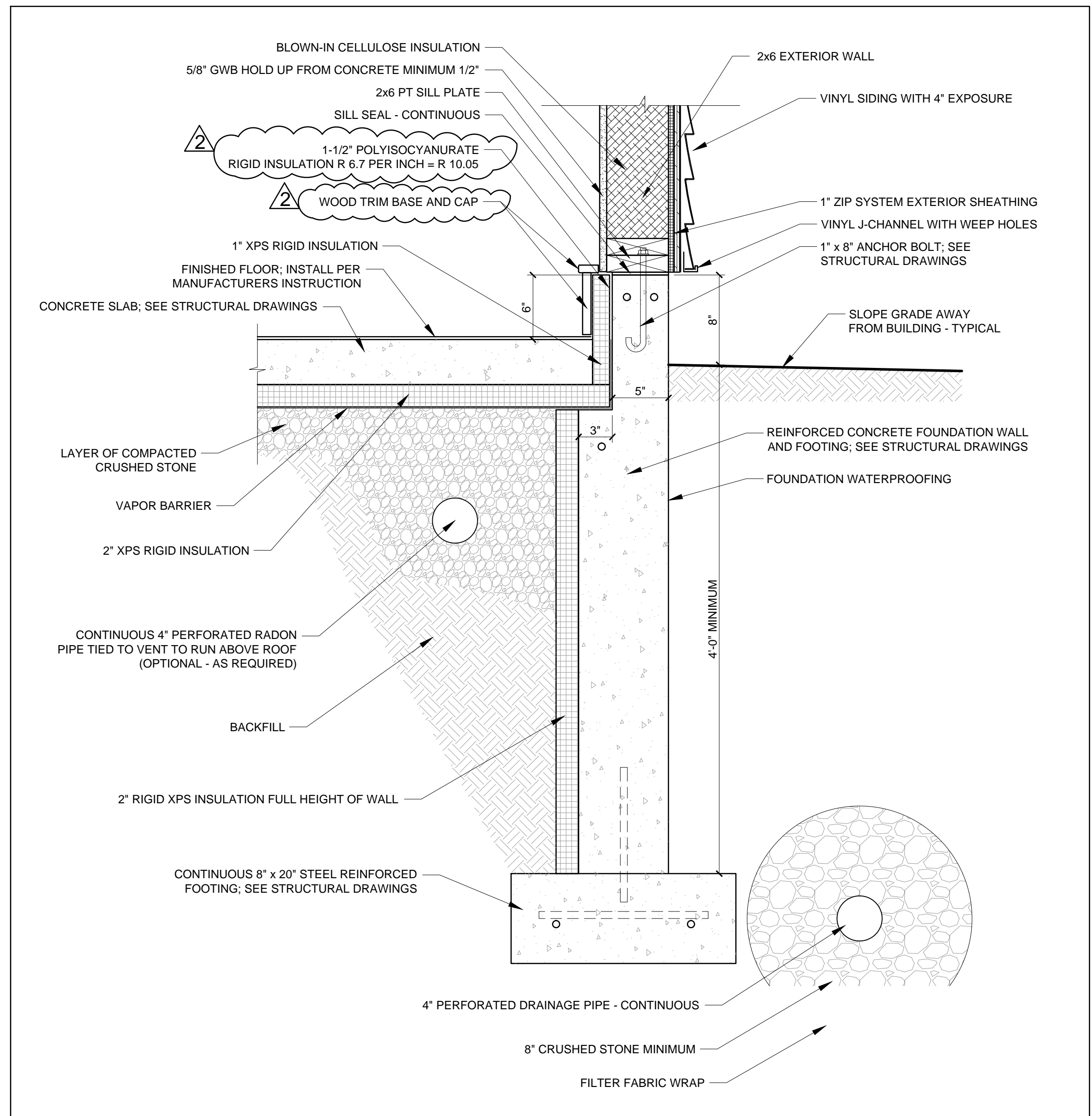
SHEET TITLE:

DETAILS

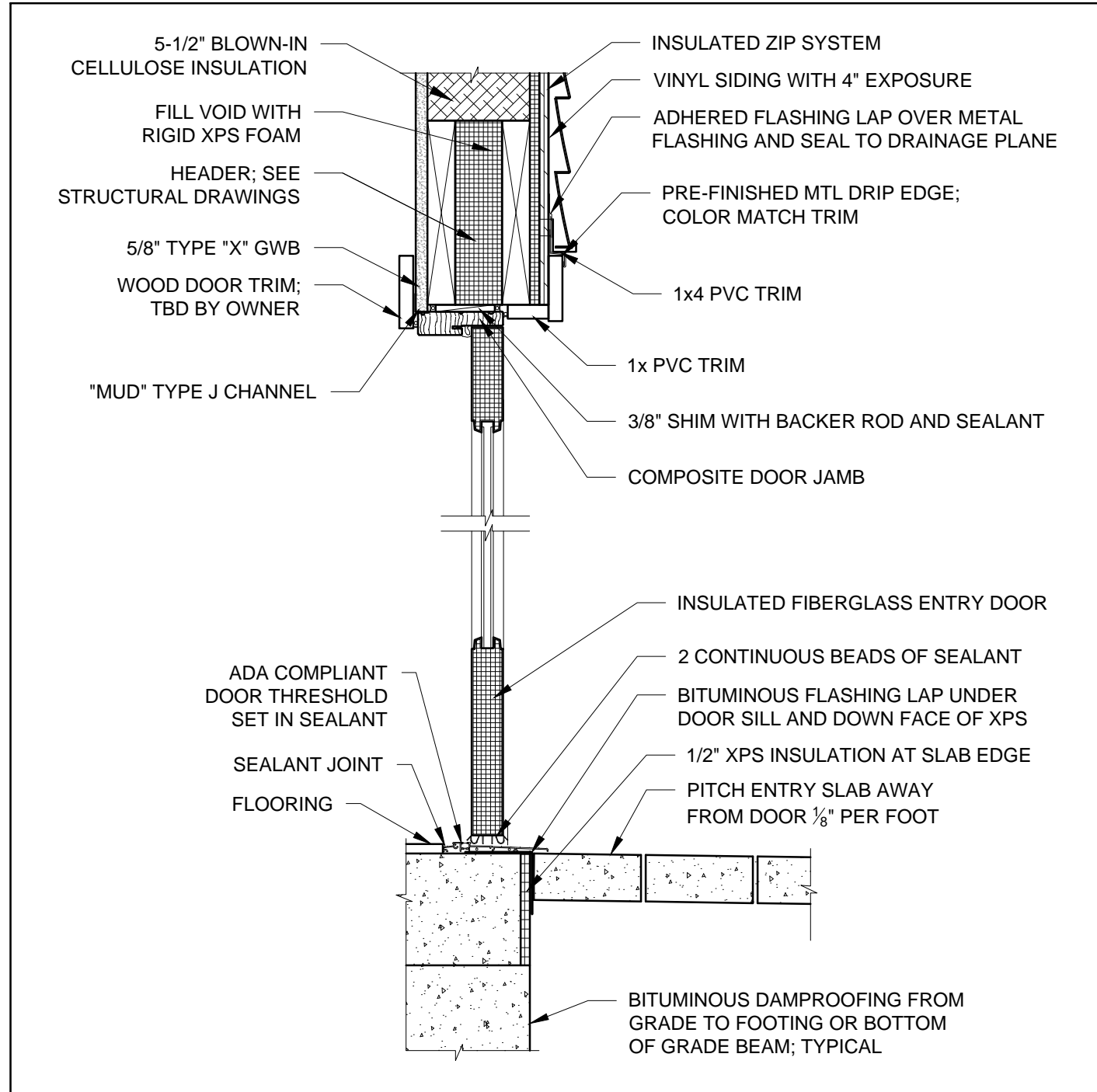
A5-0



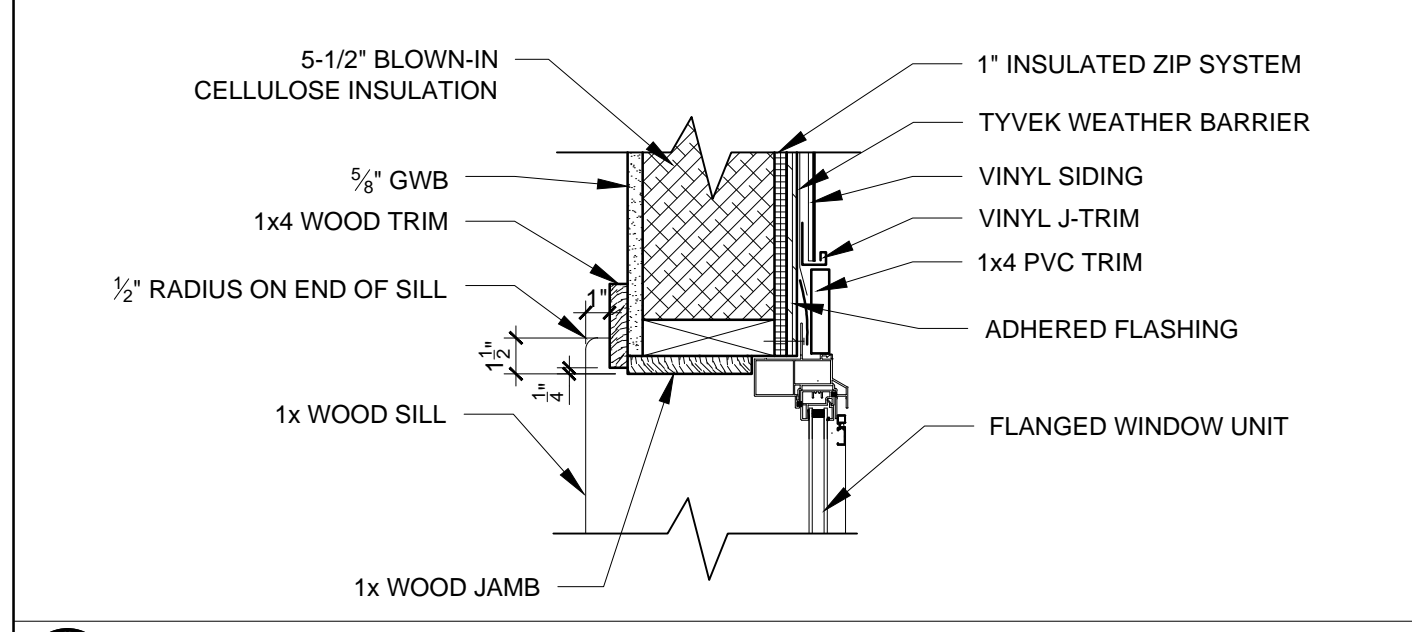
2 FOUNDATION SECTION DETAIL AT WINDOW SILL LOCATION (6'-0" WINDOW)
1 1/2" = 1'-0"



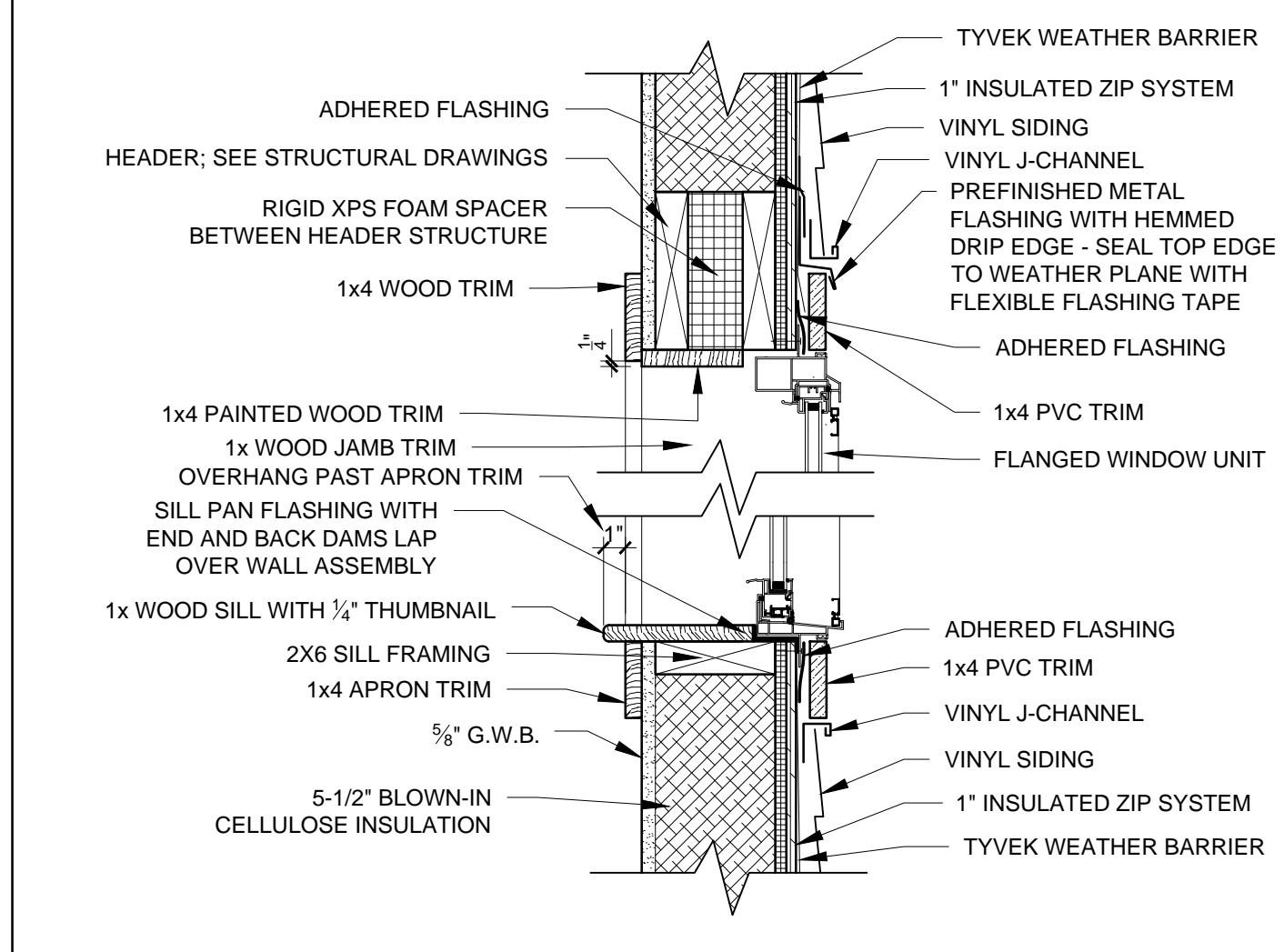
1 FOUNDATION SECTION DETAIL AT WINDOW SILL LOCATION (6'-0" WINDOW)
1 1/2" = 1'-0"



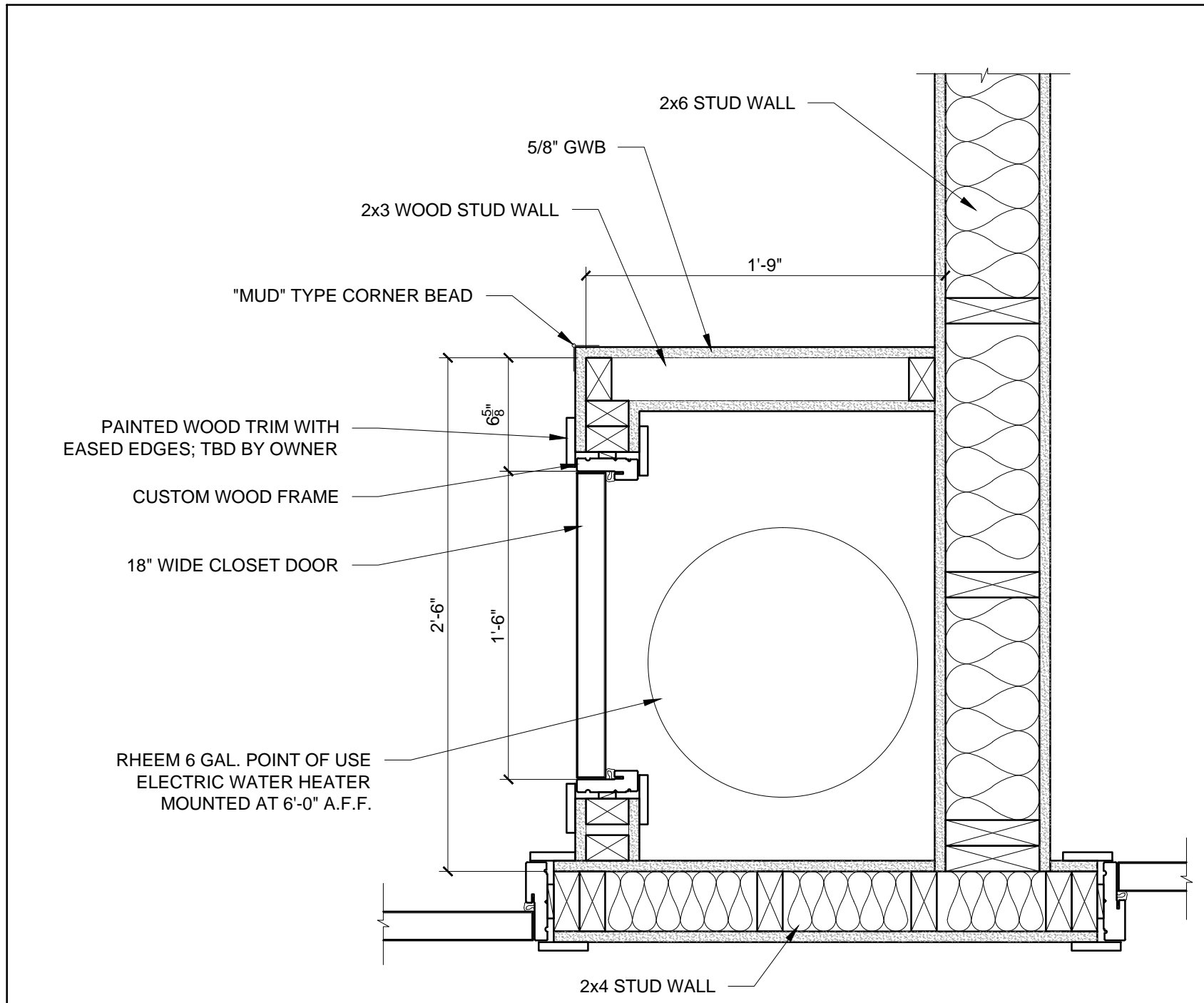
5 TYPICAL ENTRY DOOR HEAD / SILL SECTION DETAIL
1 1/2" = 1'-0"



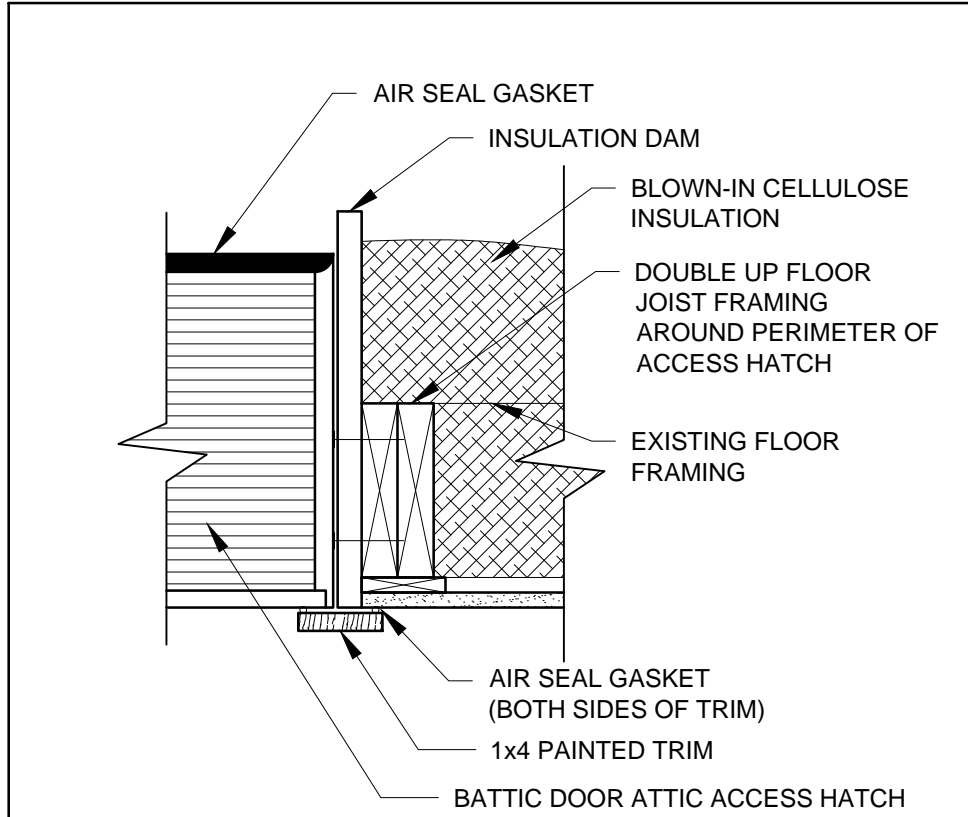
4 TYPICAL WINDOW AND WALL PLAN DETAIL
1 1/2" = 1'-0"



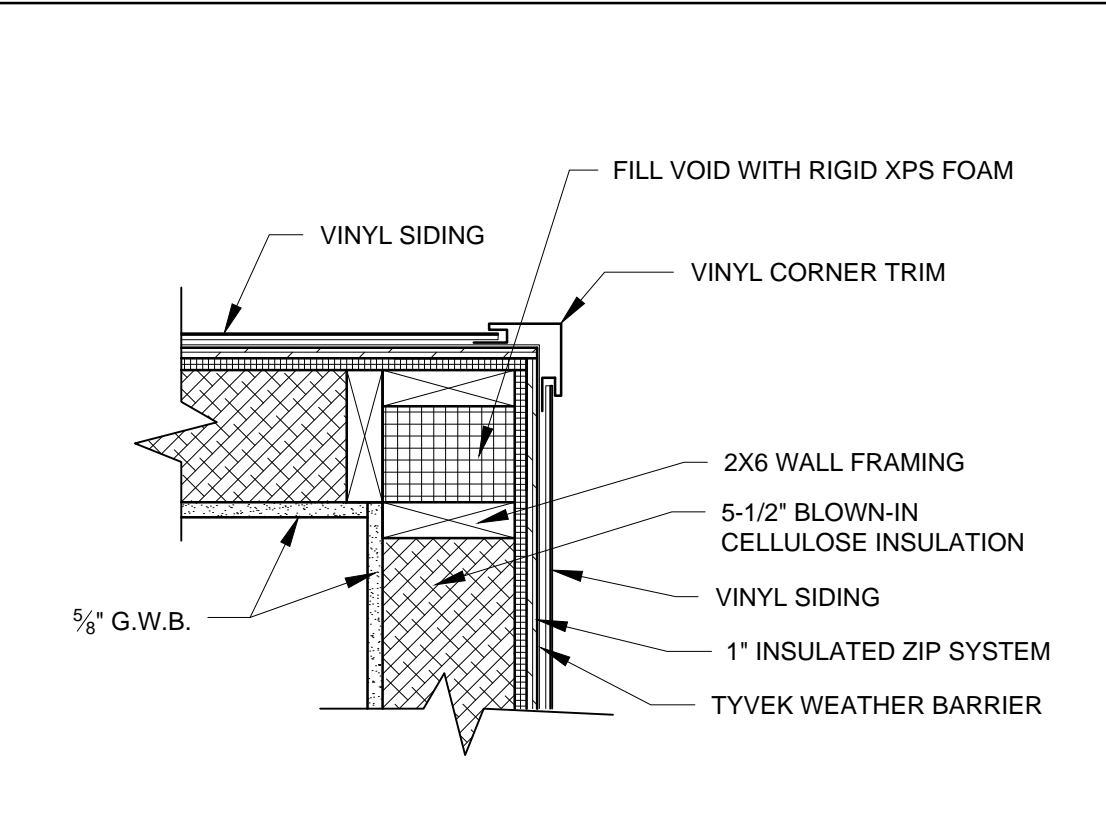
3 TYPICAL WINDOW AND WALL SECTION DETAIL
1 1/2" = 1'-0"



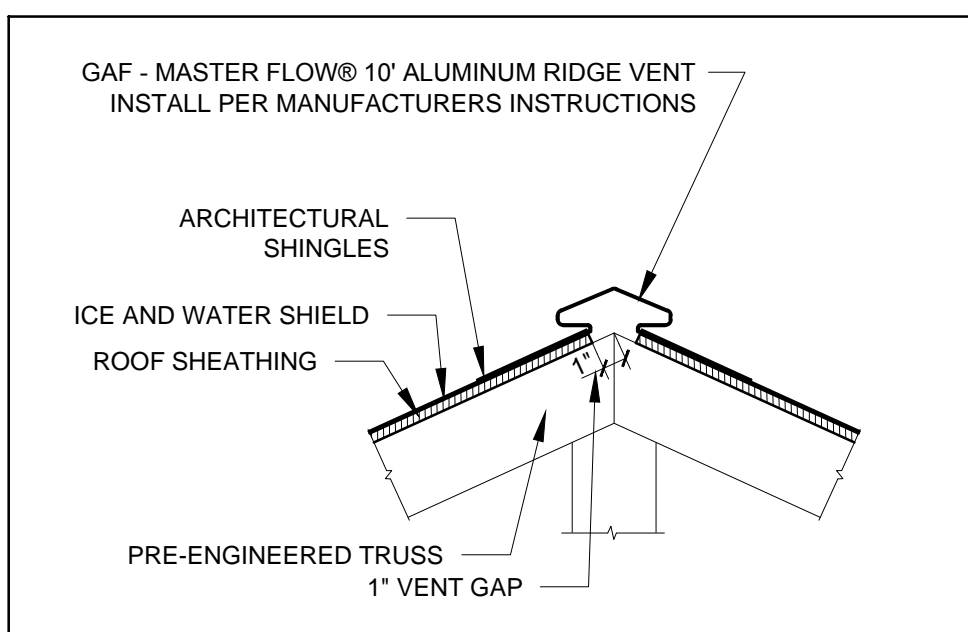
8 ATTIC ACCESS HATCH DETAIL
1 1/2" = 1'-0"



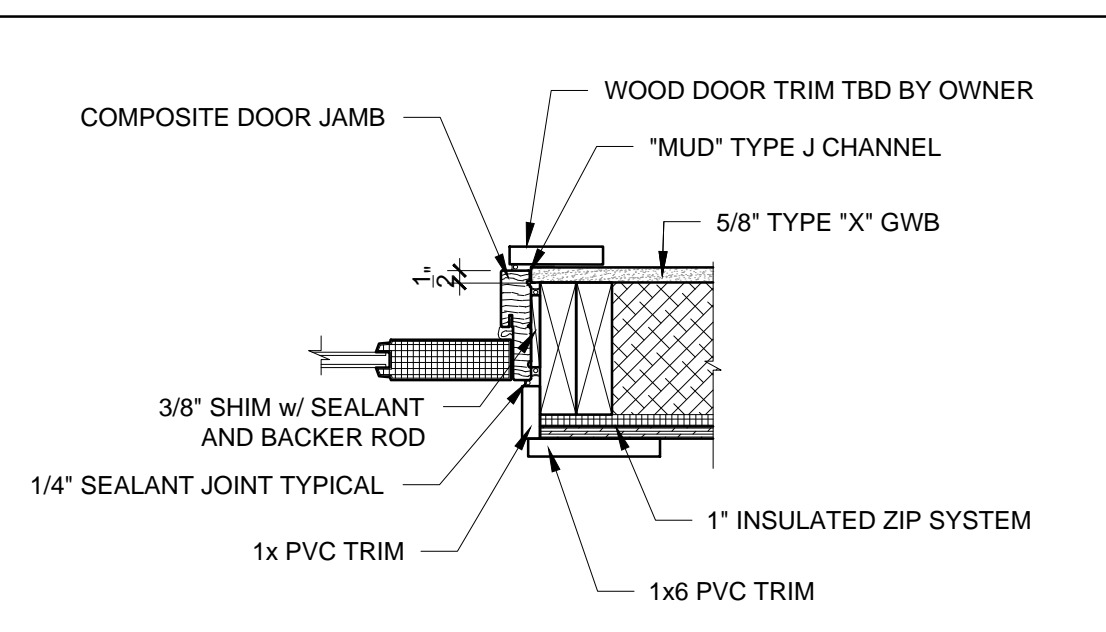
11 ATTIC ACCESS HATCH DETAIL
1 1/2" = 1'-0"



7 EXTERIOR WALL CORNER PLAN DETAIL
1 1/2" = 1'-0"



10 RIDGE VENT DETAIL
1 1/2" = 1'-0"



6 TYPICAL ENTRY DOOR JAMB PLAN DETAIL
1 1/2" = 1'-0"