

WINDOW QTY.	SIZE	R.O.	DESCRIPTION	FRAME	GLASS	NOTES
A	7	3660-2	6'-0" X 5'-0" SINGL. HING. FULLLED	VINYL	5/8" INSUL	1/4" FLAT EXTERIOR CASING, GRILL
B	6	3660	3'-0" X 5'-0" SINGL. HING	VINYL	5/8" INSUL	1/4" FLAT EXTERIOR CASING, GRILL

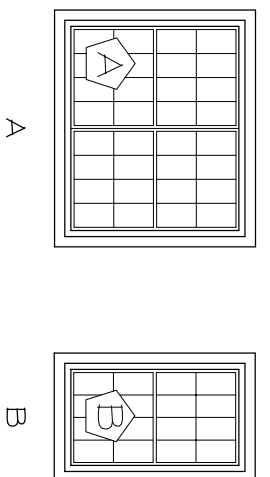
WINDOW SCHEDULE

DOOR SCHEDULE

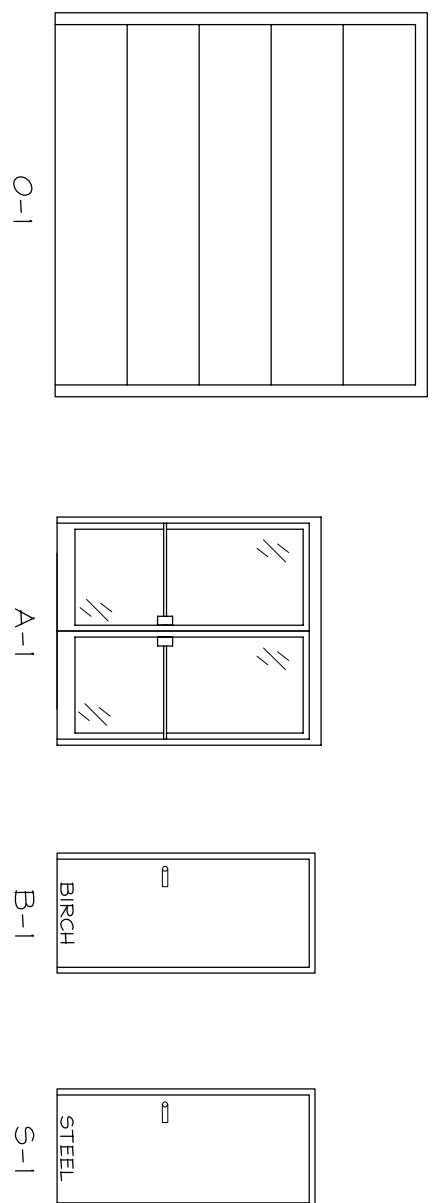
NO.	SIZE	ROUGH OPENING	LOCATION	TYPE	GLASS	JAMB	SWING	HARDWARE	COMMENTS
1	6'-0" X 7'-0"	6'-4" X 7'-2"	ENTRANCE	A-1	FULL	AL/AL	T, CL, LS	T, CL, LS	F INSULATED SAFETY GLASS
2	3'-0" X 7'-0"	3'-2" X 7'-1"	BACK DOOR	S-1	METAL	6 1/8"	V, F, PASS DOOR	V, F, PASS DOOR	
3	3'-0" X 7'-0"	3'-2" X 7'-1"	REMOVE DOOR AND FILL IN		METAL	6 1/8"	T, CL, LS	V, F, PASS DOOR	
4	3'-0" X 7'-0"	3'-2" X 7'-1"	BACK DOOR	S-1	METAL	6 1/8"	T, CL, LS	V, F, PASS DOOR	
5	10'-0" X 10'-0"	10'-0" X 10'-0"	KABERHOUSE	O-1	FULL	6 1/8"	CL, LS	T, INSULATED SAFETY GLASS	
6	3'-0" X 7'-0"	3'-2" X 7'-1"	ENRANCE	B-1	METAL	4 7/8"	LH	LS	
7	3'-0" X 7'-0"	3'-2" X 7'-1"	ENRANCE	B-1	METAL	4 7/8"	LH	LS	
8	3'-0" X 7'-0"	3'-2" X 7'-1"	ENRANCE	B-1	METAL	4 7/8"	LH	LS	
9	3'-0" X 7'-0"	3'-2" X 7'-1"	ENRANCE	B-1	METAL	4 7/8"	LH	LS	
10	3'-0" X 7'-0"	3'-2" X 7'-1"	ENRANCE	B-1	METAL	4 7/8"	RH	LS	
11	3'-0" X 7'-0"	3'-2" X 7'-1"	ENRANCE	B-1	METAL	4 7/8"	RH	LS	
12	3'-0" X 7'-0"	3'-2" X 7'-1"	ENRANCE	B-1	METAL	4 7/8"	RH	LS	
13	3'-0" X 7'-0"	3'-2" X 7'-1"	ENRANCE	B-1	METAL	4 7/8"	RH	LS	
14	3'-0" X 7'-0"	3'-2" X 7'-1"	ENRANCE	B-1	METAL	4 7/8"	RH	LS	
15	3'-0" X 7'-0"	3'-2" X 7'-1"	ENRANCE	B-1	METAL	4 7/8"	LH	LS	
16	3'-0" X 7'-0"	3'-2" X 7'-1"	ENRANCE	B-1	METAL	4 7/8"	LH	LS	
17	3'-0" X 7'-0"	3'-2" X 7'-1"	ENRANCE	B-1	METAL	4 7/8"	RH	LS	
18	3'-0" X 7'-0"	3'-2" X 7'-1"	ENRANCE	B-1	METAL	4 7/8"	RH	LS	
19	3'-0" X 7'-0"	3'-2" X 7'-1"	ENRANCE	B-1	METAL	4 7/8"	LH	LS	
20	3'-0" X 7'-0"	3'-2" X 7'-1"	ENRANCE	B-1	METAL	4 7/8"	LH	LS	
21	3'-0" X 7'-0"	3'-2" X 7'-1"	ENRANCE	B-1	METAL	4 7/8"	RH	LS	

1 = ALUMINUM
 2 = BRICK
 3 = METAL
 HG = HALF GLASS
 LH = LEFT HAND
 RH = RIGHT HAND
 HS = PASSEGE SET
 PS = PUSH/PULL SET
 CL = CLOSURE
 T = THRESHOLD

WINDOW TYPES



DOOR TYPES

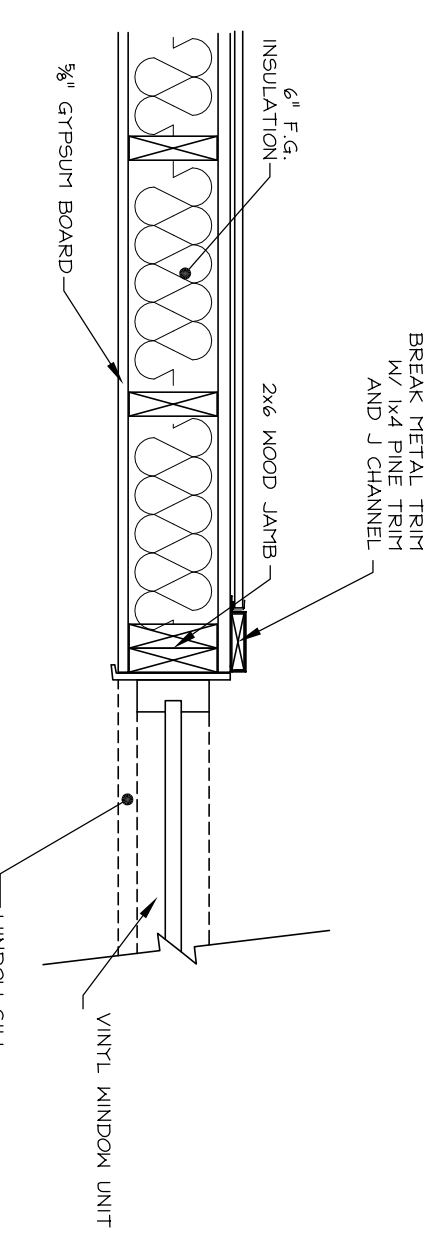


NOTE:
 EXTERIOR DOORS SHALL HAVE CONCRETE STOOP AT GRADE. (NO STEP)

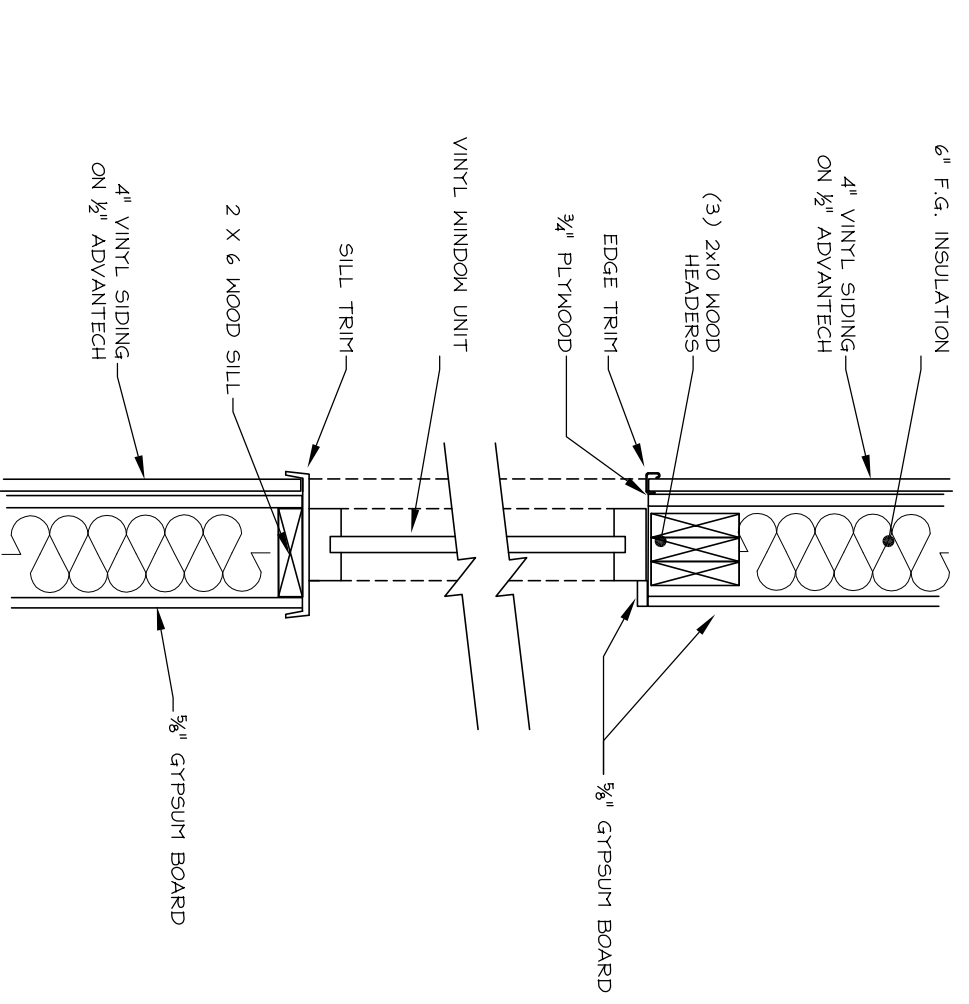
ROOM FINISH SCHEDULE

ROOM NO.	ROOM NAME	CILING	WALLS	FLOOR	COMMENTS
100	REAR OFFICES	AT-1	PAINT	VB	
102	OPEN OFFICES	AT-1	PAINT	VB	
103	THASITIN	AT-1	PAINT	VB	
104	SPARE	AT-1	PAINT	VB	
105	CONFERENCE	AT-1	PAINT	VB	
106	SVC	AT-1	PAINT	VB	
107	JIT	AT-1	PAINT	VB	
108	BREAK RM	AT-1	PAINT	VB	
109	WOTEN	AT-1	PAINT	VB	
110	THEN	AT-1	PAINT	VB	
112	RECEIVING	N/A	PAINT	VB	
113	ELEC	AT-1	PAINT	VB	
114	TELEK	AT-1	PAINT	VB	
115	TELEK	AT-1	PAINT	VB	
116	THANE/ELEC	N/A	PAINT	VB	

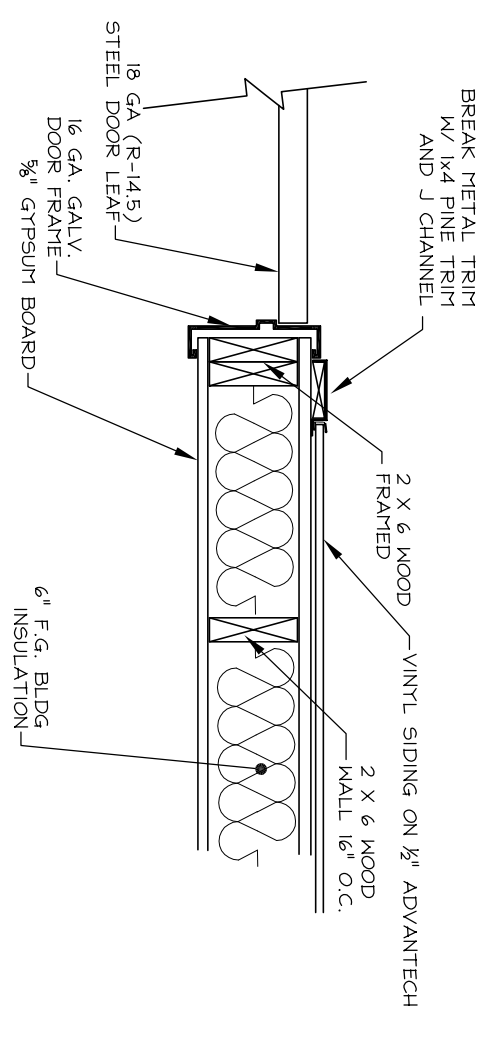
CEILINGS
 1" X 4" WHITE GRID W/ ARMSTRONG #69A TILES
 OPEN = OPEN TO CEILING STRUCTURE
 PAINTS
 PAINT : COLOR & FINISH TO BE DETERMINED BY OWNER
 FLOORINGS
 VCT-1 = ARBSTRONG IMPERIAL TEXTURE STANDARD EXCELON 51927 FG
 VCT-2 = ARBSTRONG IMPERIAL TEXTURE STANDARD EXCELON 51927 FG
 C = DIRECT GLUE CARPET
 CONG. = EXPOSED CONCRETE WITH SEALER
 VB = 4" VINYL CORE BRG



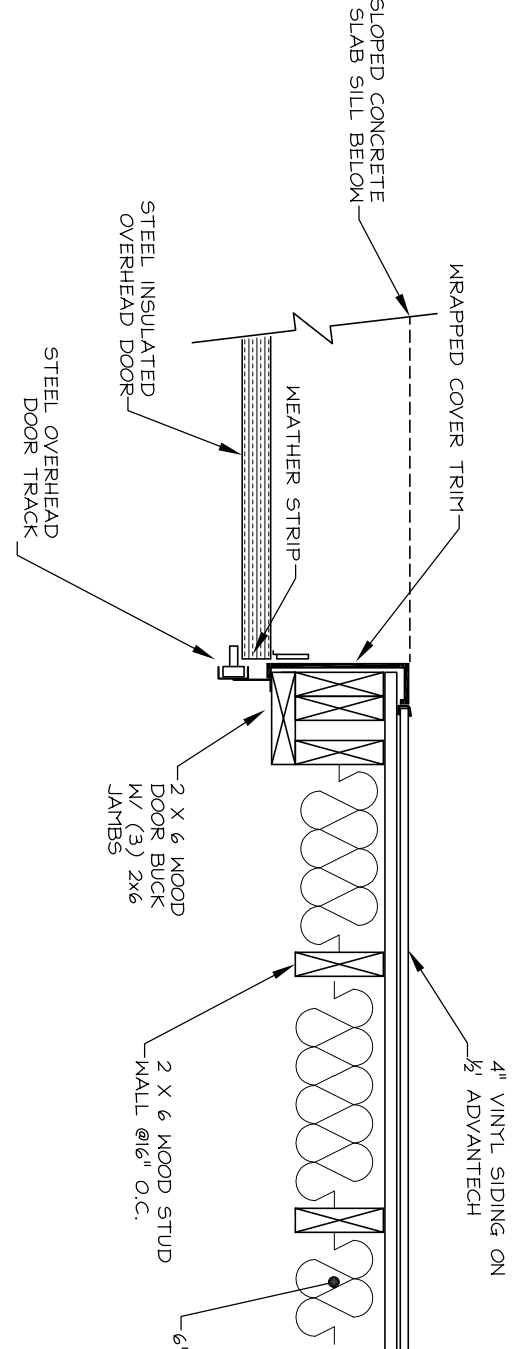
1
 A-1
 WOOD WALL WINDOW JAMB
 SCALE: 1" = 1'-0"



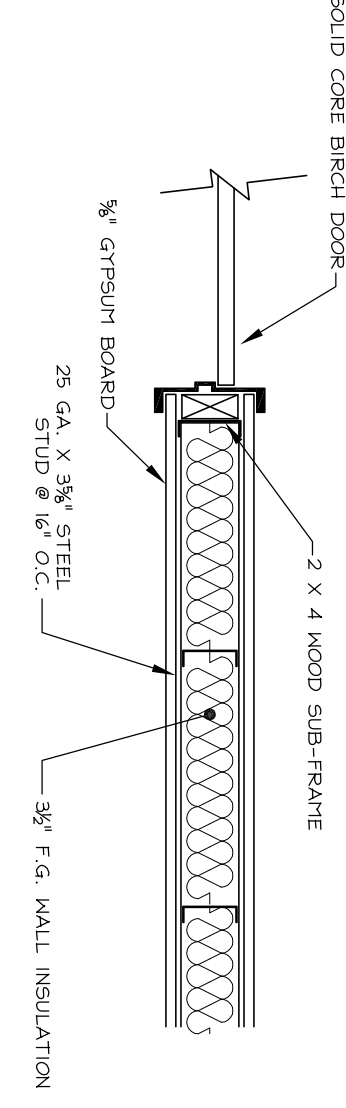
2
 A-1
 WOOD WALL WINDOW HEADER/SILL
 SCALE: 1" = 1'-0"



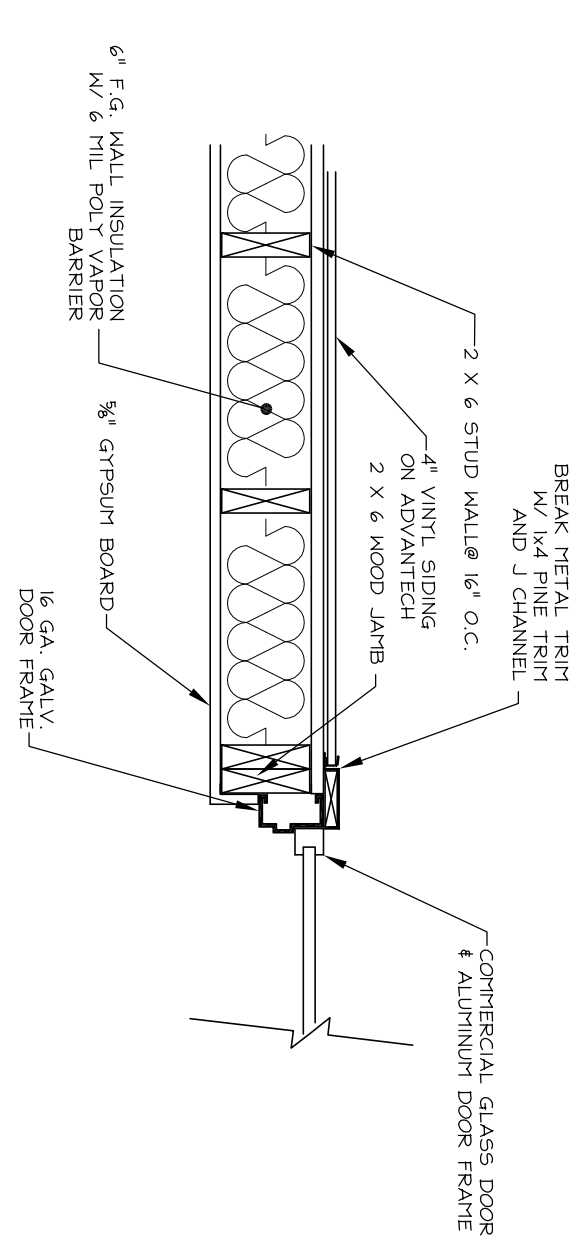
3
 A-1
 EXTERIOR DOOR JAMB
 SCALE: 1" = 1'-0"



4
 A-1
 OVERHEAD DOOR JAMB
 SCALE: 1" = 1'-0"



5
 A-1
 INTERIOR DOOR JAMB
 SCALE: 1" = 1'-0"



6
 A-1
 COMMERCIAL GLASS DOOR JAMB
 SCALE: 1" = 1'-0"

REV.	DESCRIPTION	DATE	BY
1	REVISED FOR CONSTRUCTION	3/23/06	JDB
2	REVISED FOR PROTECTION ONE	4/13/06	JDB

John W. Einsiedler, R.A.
 Architecture
 148 Sea Road Kennebunk, Maine 04043
 Phone 207-985-9700 Facsimile 207-985-9818
 Architecture • Interior Design • Universal Design

PATCO
 CONSTRUCTION INC
 1293 MAIN STREET SANFORD, ME 04073
 TEL: (207)324-5574 FAX: (207)324-1643
 www.patco-construction.com

PROPOSED BUILDING FOR:
PHOENIX WELDING
 557 RIVERSIDE STREET
 PORTLAND, ME
 SCHEDULES AND DETAILS

DATE	1/25/06
SCALE	AS SHOWN
DESIGNER	JL G/JDB
DATE	26/96

A-7