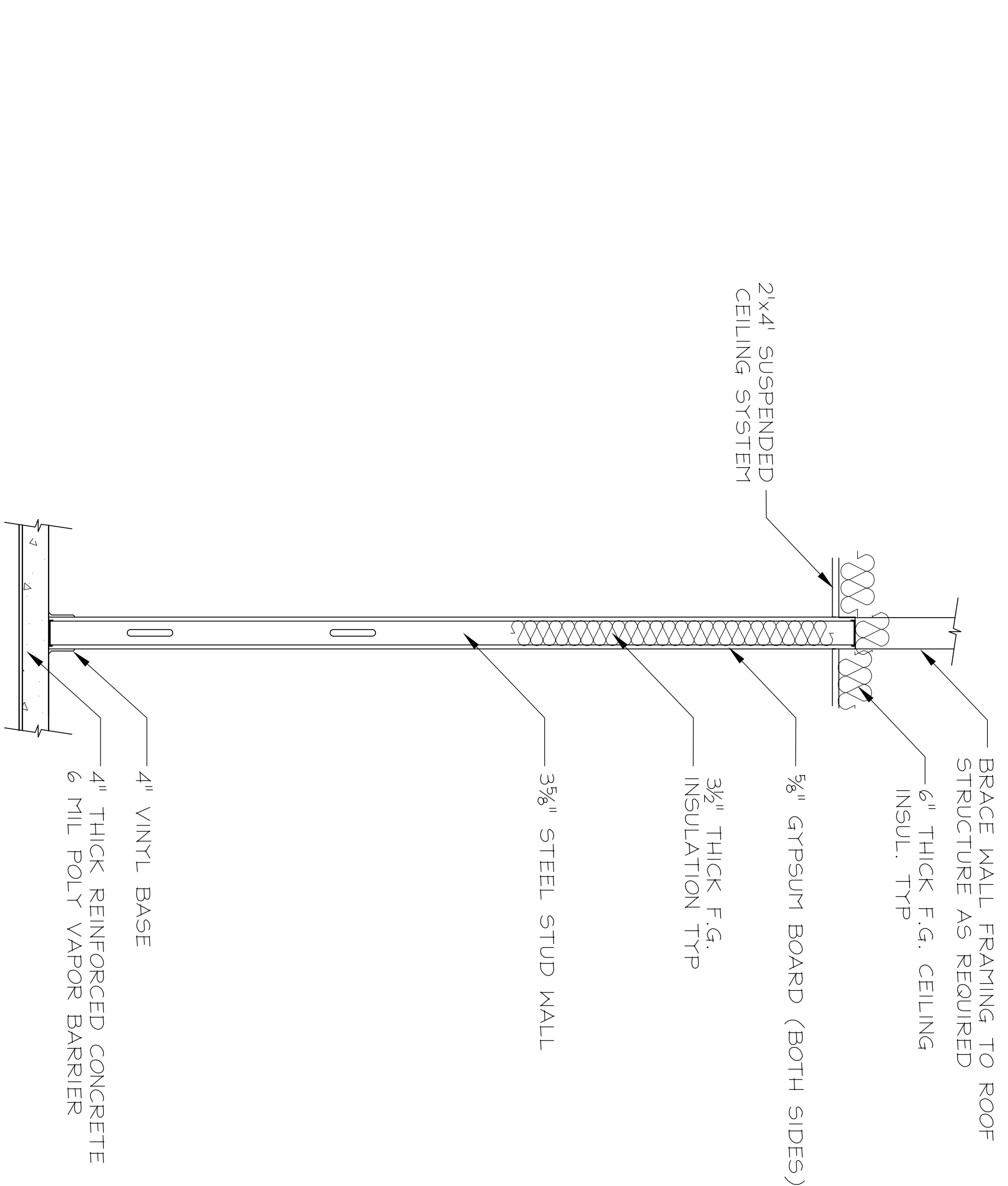
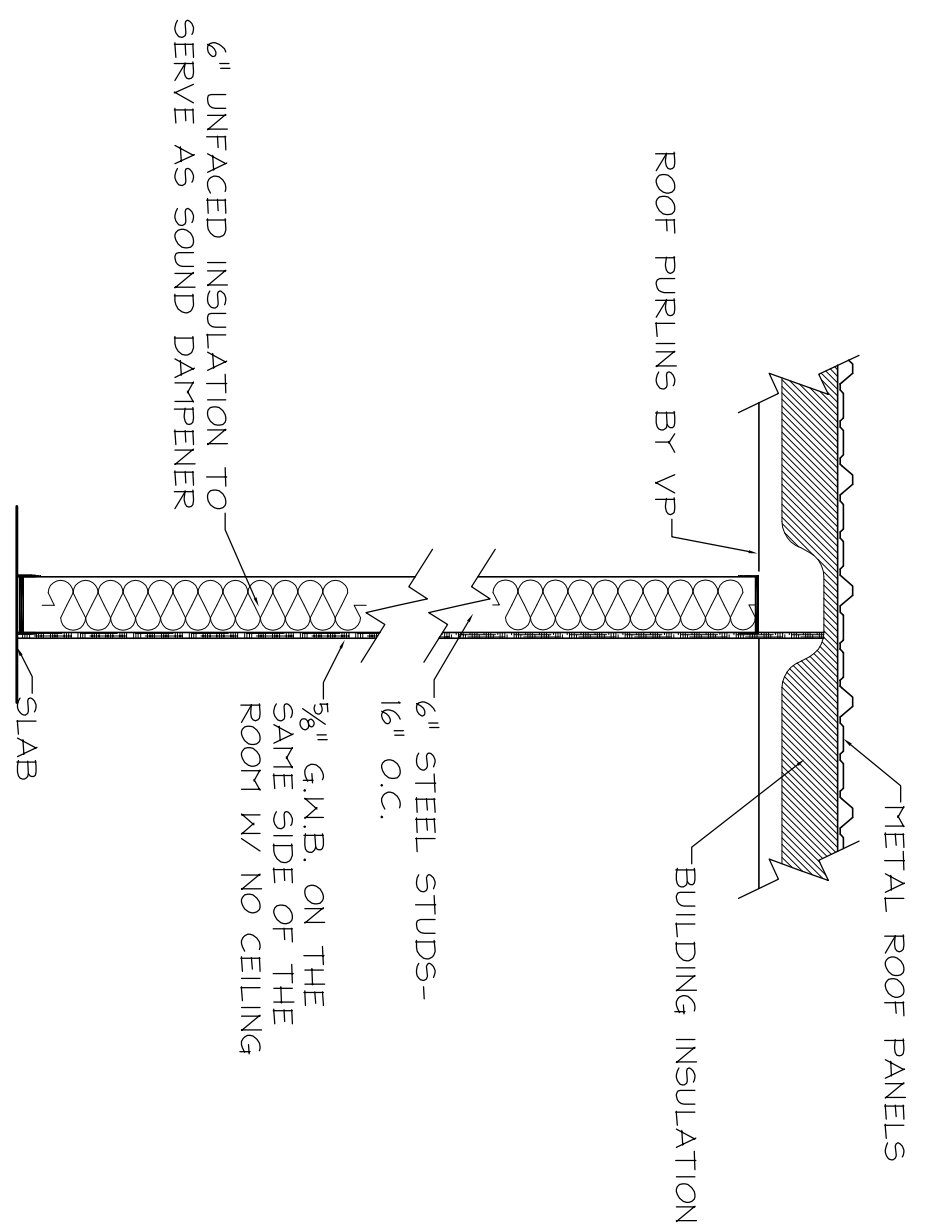


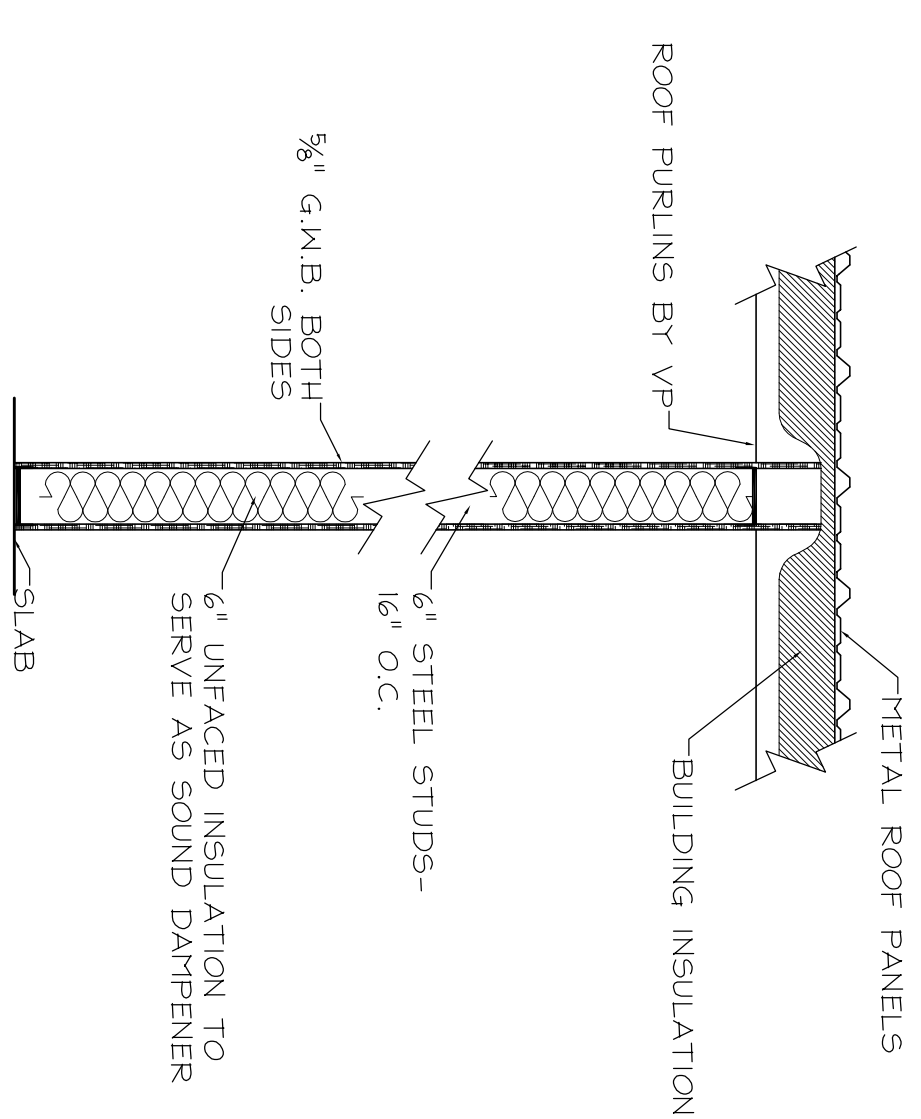
9 TYPICAL EXTERIOR WALL SECTION
SCALE: 3/4" = 1'-0"



7 TYPICAL INTERIOR WALL SECTION
SCALE: 3/4" = 1'-0"



10 FULL HEIGHT WALL SECTION
SCALE: N.T.S.



11 FULL HEIGHT WALL SECTION
SCALE: N.T.S.

| REV. | DESCRIPTION | DATE | BY |
|------|----------------------------|---------|-----|
| 1 | REVISED FOR CONSTRUCTION | 3/23/06 | JDB |
| 2 | REVISED FOR PROTECTION ONE | 9/13/06 | JDB |
| | | | |
| | | | |
| | | | |
| | | | |
| | | | |

John W. Einsiedler, R.A.
Architecture
148 Sea Road Kennebunk, Maine 04043
Phone 207-985-9760 Facsimile 207-985-9818
Homepage: www.johnw.einsiedler.com e-mail: john@johnw.einsiedler.com
Architecture • Interior Design • Universal Design

PATCO
CONSTRUCTION INC
1293 MAIN STREET SANFORD, ME 04073
TEL: (207)324-5574 FAX: (207)324-1643
www.patco-construction.com
Copyright © 2004 Patco Construction, Inc. All Rights Reserved.

PROPOSED BUILDING FOR:
PHOENIX WELDING
557 RIVERSIDE STREET
PORTLAND, ME

WALL CROSS SECTIONS

DATE: 1/25/06
SCALE: AS SHOWN
DRAWN BY: JL/G/JDB
CHECKED BY: JL/G/JDB
JOB NUMBER: 26-916
SHEET

A-5