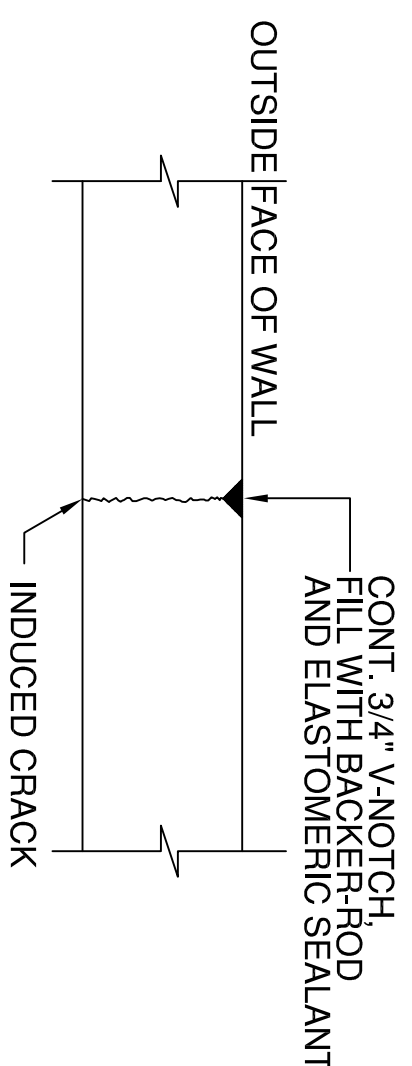
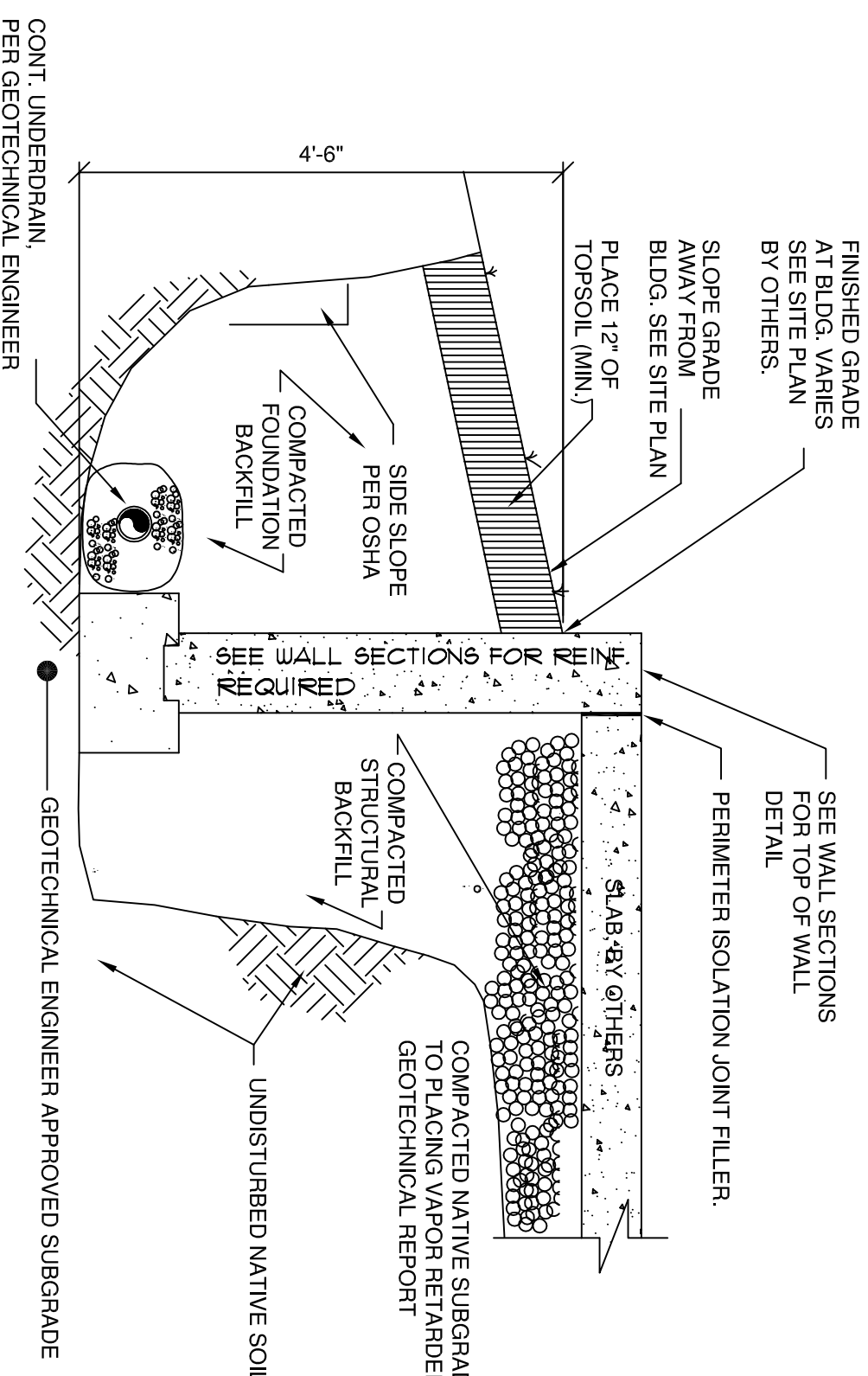


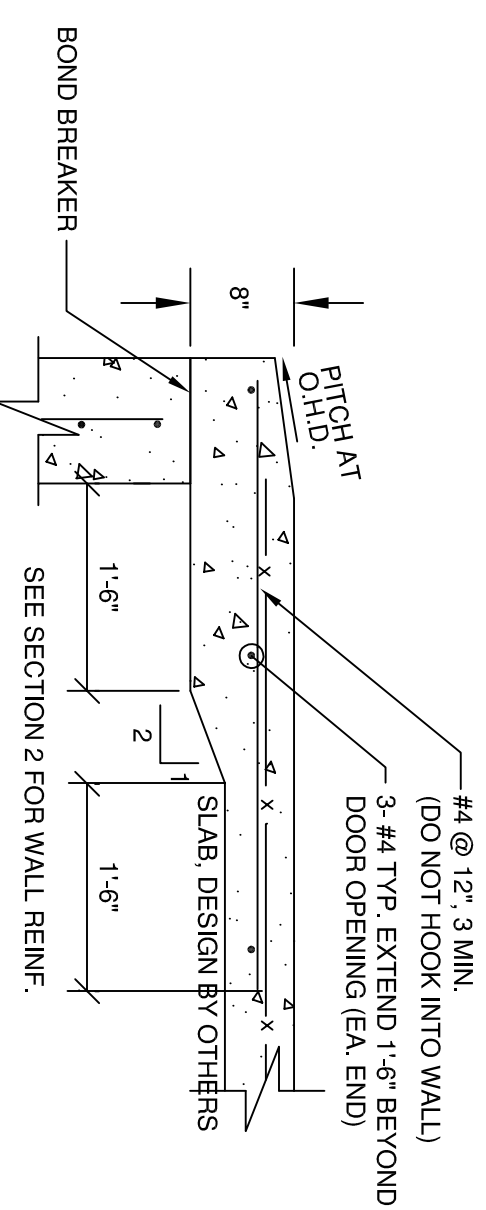
FOUNDATION WALL CONSTRUCTION JOINT DETAIL  
N.T.S.



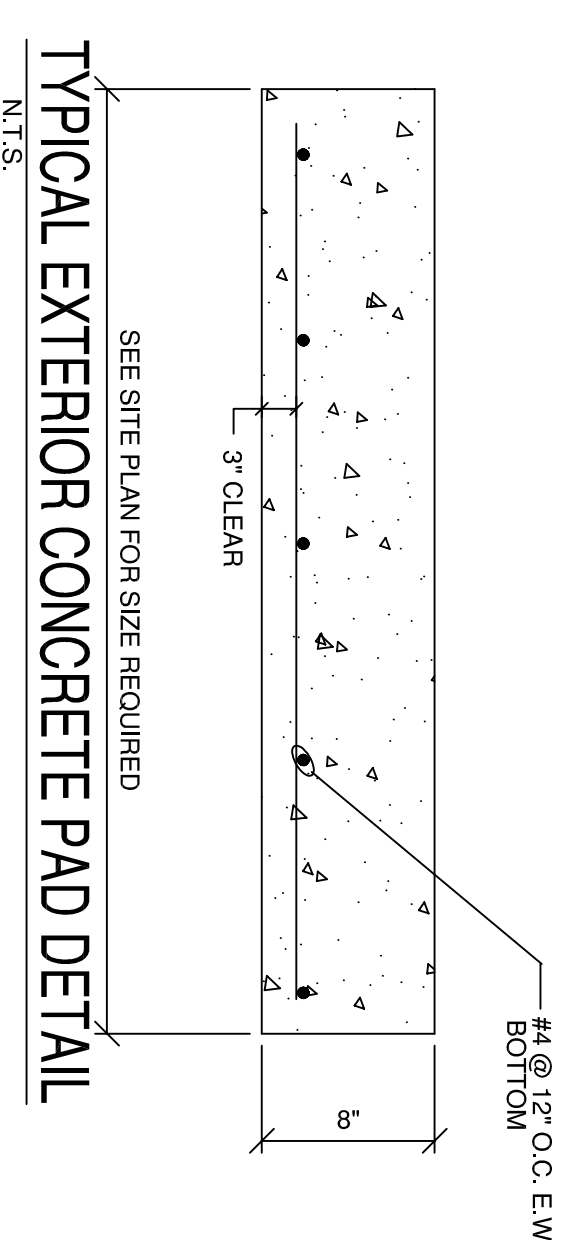
(DO NOT LOCATE MORE THAN 40'-0" O.C. OR WITHIN 4 FT. OF ANY GRIDLINE)  
FOUNDATION WALL CONTROL JOINT DETAIL  
N.T.S.



TYPICAL EARTHWORK DETAIL  
N.T.S.

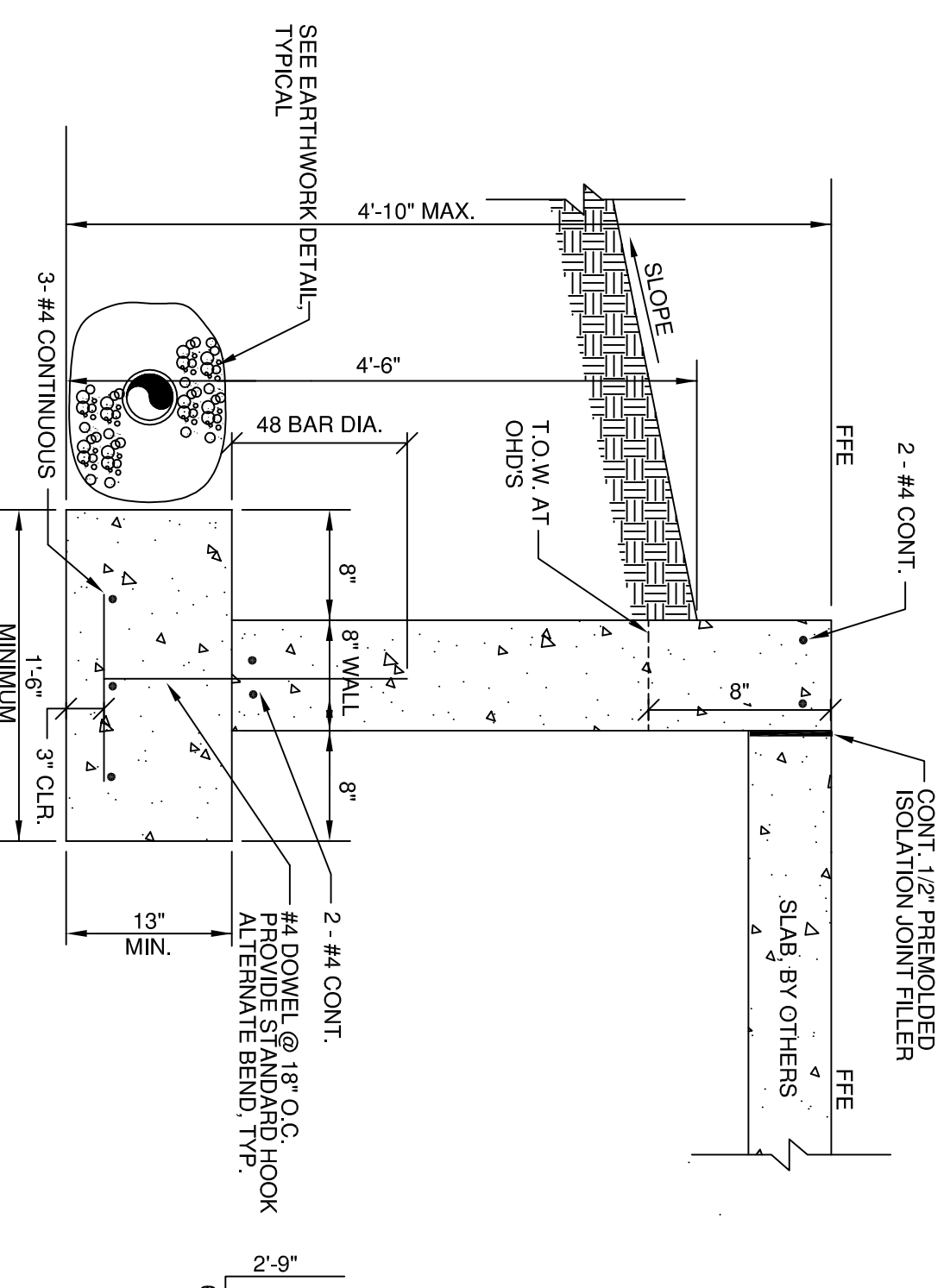


TYPICAL SLAB DETAIL @ O.H.D. OPENING  
N.T.S.



TYPICAL EXTERIOR CONCRETE PAD DETAIL  
N.T.S.

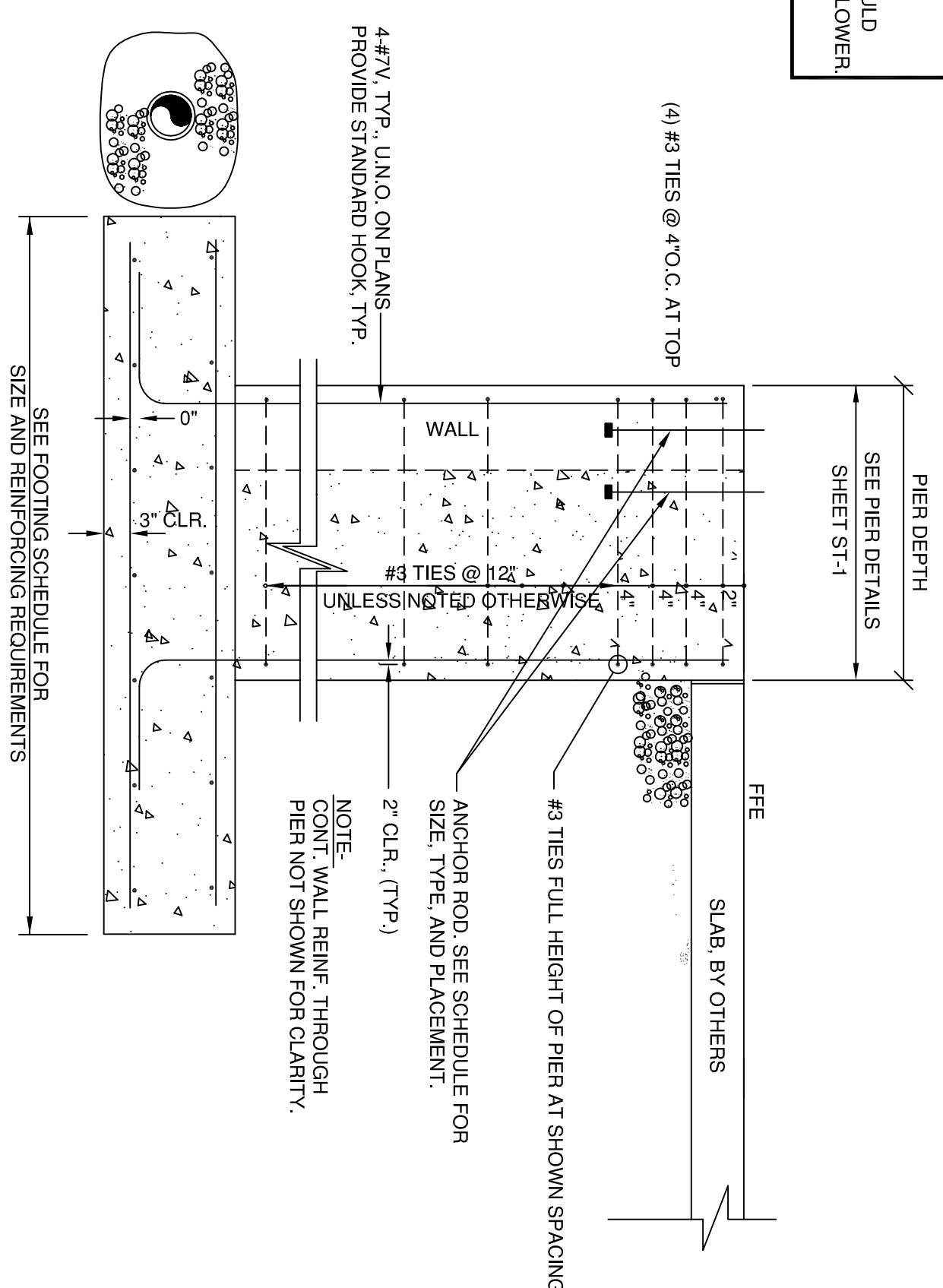
ISSUED FOR  
CONSTRUCTION



TYPICAL FROST WALL DETAIL  
THIS DETAIL APPLIES WHEN FFE IS 2'-0" OR LESS ABOVE EXT. FINISH GRADE

SECTION 2  
S1

**CONTRACTOR NOTE:**  
ALL COLUMN PIERS ARE DESIGNED FOR HORIZONTAL THRUST BY COLUMN. AS A RESULT, ELEVATION BOTTOM OF FOOTING LOWER THAN INDICATED IS NOT ACCEPTABLE. CONTACT SRG ENGINEERING SO ALL FOUNDATIONS CAN BE REDESIGNED SHOULD ELEVATION BOTTOM OF FOOTING(S) NEED TO BE LOWER.



TYPICAL WALL PIER  
(W/IF NOT SHOWN FOR CLARITY)  
SEE FOOTING SCHEDULE FOR SIZE AND REINFORCING REQUIREMENTS

SECTION 3  
S1

REV:	BY:	DATE:	STATUS:

PROJECT NO.	EOR	DESIGN	CHKD	DRAWN
05-132	SRG	SRG	SRG	SRG

FOUNDATION DETAILS AND SECTIONS  
OF  
PHOENIX WELDING  
PORTLAND, MAINE  
FOR  
PATCO CONSTRUCTION CO., INC.  
SANFORD, MAINE

DATE: 11-10-05  
SCALE: N.T.S.  
SHEET S2 OF 2