

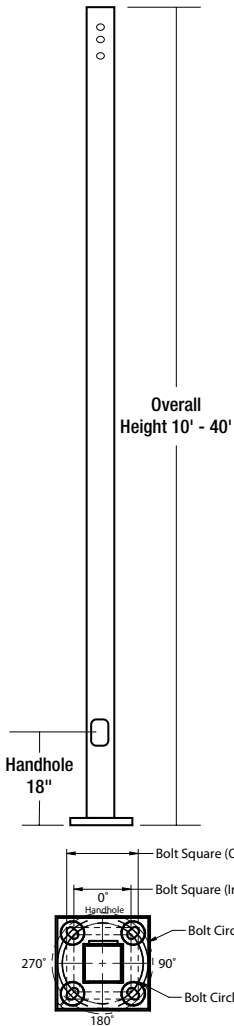
# SSS-B SERIES POLES

SQUARE STRAIGHT STEEL

Cat.#	
Job	Type



Approvals



## APPLICATIONS

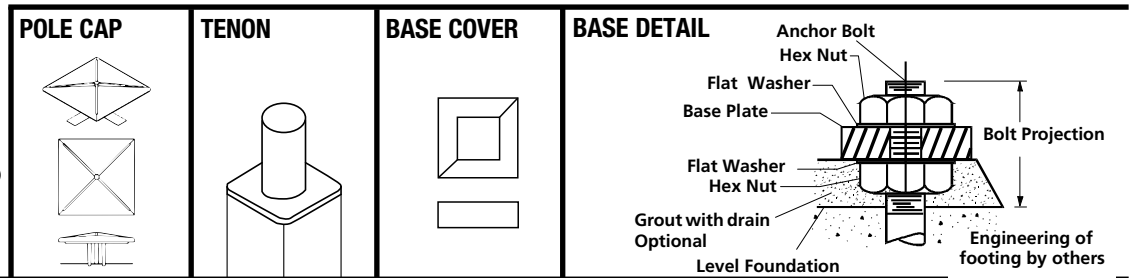
- Lighting installations for side and top mounting of luminaires with effective projected area (EPA) not exceeding maximum allowable loading of the specified pole in its installed geographic location

## CONSTRUCTION

- **SHAFT:** One-piece straight steel with square cross section, flat sides and minimum 0.238" radius on all corners; Minimum yield of 46,000 psi (ASTM-A500, Grade B); Longitudinal weld seam to appear flush with shaft side wall; Steel base plate with axial bolt circle slots welded flush to pole shaft having minimum yield of 36,000 psi (ASTM A36)
- **BASE COVER:** Two-piece square aluminum base cover included standard
- **POLE CAP:** Pole shaft supplied with removable cover when applicable; Tenon and post-top configurations also available
- **HAND HOLE:** Rectangular 3x5 steel hand hole frame (2.38" x 4.38" opening); Mounting provisions for grounding lug located behind gasketed cover
- **ANCHOR BOLTS:** Four galvanized anchor bolts provided per pole with minimum yield of 55,000 psi (ASTM F1554). Galvanized hardware with two washers and two nuts per bolt for leveling

## FINISH

- Durable thermoset polyester powder coat paint finish with nominal 3.0 mil thickness
- Powder paint prime applied over "white metal" steel substrate cleaned via mechanical shot blast method
- Decorative finish coat available in seven standard colors; Custom colors available; RAL number preferable; Internal protective coating available



## ORDERING INFORMATION

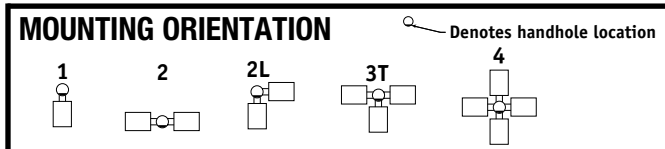
ORDERING EXAMPLE:

\_\_\_\_\_

Reference page 2 for available configurations

**SSS - B - 25 - 40 - A/B/C - 2L - B2 - BBT - UL**

SERIES	HEIGHT	SHAFT	THICKNESS	MOUNTING	DRILL PATTERN	FINISH	OPTIONS
<b>SSS-B</b> Square Straight Steel Pole Beacon	Reference page 2 Ordering matrix	Reference page 2 Ordering matrix	Reference page 2 Ordering matrix	<b>1</b> Single arm mount <b>2</b> Two fixtures at 180° <b>2L</b> Two fixtures at 90° <b>3T</b> Three fixtures at 90° <b>4</b> Four fixtures at 90° <b>TA</b> Tenon (2.375" OD) <b>TB</b> Tenon (2.875" OD) <b>TC</b> Tenon (3.5" OD) <b>TR<sup>1</sup></b> Removable Tenon (2.375 x 4.25) <b>OT</b> No drilling (includes pole cap)	<b>B1</b> Cruzet <b>B2</b> SF2 <b>B3</b> Viper Large <b>B4</b> Viper Small	<b>BBT</b> Basic Black Textured <b>BMT</b> Black Matte Textured <b>BZT</b> Bronze Textured <b>DBT</b> Dark Bronze Textured <b>DPS</b> Dark Platinum Smooth <b>GNT</b> Green Textured <b>GYS</b> Gray Smooth <b>MBT</b> Metallic Bronze Textured <b>MST</b> Metallic Silver Textured <b>MTT</b> Metallic Titanium Textured <b>OWI</b> Old World Iron <b>WHT</b> White Textured <b>CC</b> Custom Color	<b>HSC</b> Internal Coating (Hubbell Seal) <b>GFI<sup>2</sup></b> 20 Amp GFCI Receptacle and Cover <b>EHH<sup>2</sup></b> Extra Handhole <b>C05<sup>2</sup></b> .5" Coupling <b>C07<sup>2</sup></b> .75" Coupling <b>C20<sup>2</sup></b> 2" Coupling <b>MPB<sup>2</sup></b> Mid-pole Luminaire Bracket <b>VM2</b> 2nd mode vibration damper <b>LAB</b> Less Anchor Bolts <b>UL</b> UL Certified



## ACCESSORIES - Order Separately

Catalog Number	Description
<b>VM1<sup>3</sup></b>	1st mode vibration damper
<b>VM2SXX</b>	2nd mode vibration damper

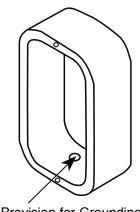
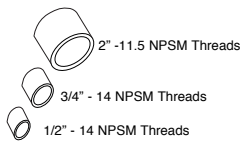
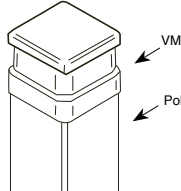
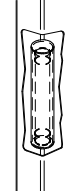

1 Removable tenon used in conjunction with side arm mounting. First specify desired arm configuration followed by the "TR" notation. Example: **SSS-B-25-40-A-1-B1-TR-BBT**  
 2 Specify option location using logic found on page 2 (**Option Orientation**)  
 3 VM1 required on poles 25" and taller with EPA of less than 1.

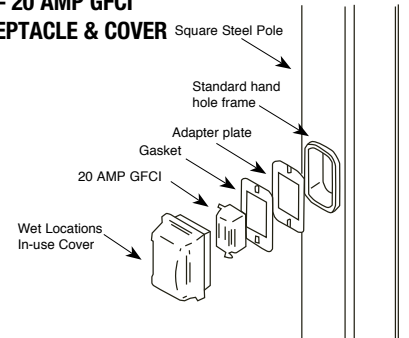
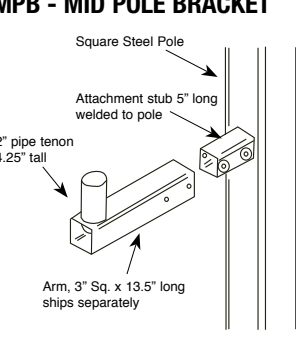
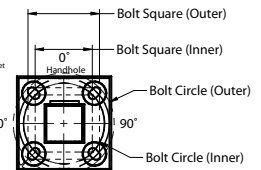


# ORDERING INFORMATION Cont.

Catalog Number	Height		Nominal Shaft Dimensions	Wall Thickness	Bolt Circle (suggested)	Bolt Circle (range)	Bolt Square (range)	Base Plate Square	Anchor bolt size	Bolt Projection	Pole weight
	Feet	Meters									
SSS-B-10-40-A-XX-XX	10	3.0	4" square	0.125"	9"	8" - 10"	5.66" - 7.07"	9"	3/4" x 30" x 3"	3.5	77
SSS-B-12-40-A-XX-XX	12	3.7	4" square	0.125"	9"	8" - 10"	5.66" - 7.07"	9"	3/4" x 30" x 3"	3.5	90
SSS-B-14-40-A-XX-XX	14	4.3	4" square	0.125"	9"	8" - 10"	5.66" - 7.07"	9"	3/4" x 30" x 3"	3.5	103
SSS-B-16-40-A-XX-XX	16	4.9	4" square	0.125"	9"	8" - 10"	5.66" - 7.07"	9"	3/4" x 30" x 3"	3.5	116
SSS-B-18-40-A-XX-XX	18	5.5	4" square	0.125"	9"	8" - 10"	5.66" - 7.07"	9"	3/4" x 30" x 3"	3.5	129
SSS-B-20-40-A-XX-XX	20	6.1	4" square	0.125"	9"	8" - 10"	5.66" - 7.07"	9"	3/4" x 30" x 3"	3.5	142
SSS-B-25-40-A-XX-XX	25	7.6	4" square	0.125"	9"	8" - 10"	5.66" - 7.07"	9"	3/4" x 30" x 3"	3.5	175
SSS-B-14-40-B-XX-XX	14	4.3	4" square	.188"	11"	10" - 12"	7.07" - 8.48"	10.50"	3/4" x 30" x 3"	3.5	152
SSS-B-16-40-B-XX-XX	16	4.9	4" square	.188"	11"	10" - 12"	7.07" - 8.48"	10.50"	3/4" x 30" x 3"	3.5	171
SSS-B-18-40-B-XX-XX	18	5.5	4" square	.188"	11"	10" - 12"	7.07" - 8.48"	10.50"	3/4" x 30" x 3"	3.5	190
SSS-B-20-40-B-XX-XX	20	6.1	4" square	.188"	11"	10" - 12"	7.07" - 8.48"	10.50"	3/4" x 30" x 3"	3.5	209
SSS-B-25-40-B-XX-XX	25	7.6	4" square	.188"	11"	10" - 12"	7.07" - 8.48"	10.50"	3/4" x 30" x 3"	3.5	257
SSS-B-30-40-B-XX-XX	30	9.1	4" square	.188"	11"	10" - 12"	7.07" - 8.48"	10.50"	3/4" x 30" x 3"	3.5	304
SSS-B-16-50-B-XX-XX	16	4.9	5" square	.188"	11"	10.25" - 13.25"	7.25" - 9.37"	11.50"	1" x 36" x 4"	4.5	219
SSS-B-18-50-B-XX-XX	18	5.5	5" square	.188"	11"	10.25" - 13.25"	7.25" - 9.37"	11.50"	1" x 36" x 4"	4.5	243
SSS-B-20-50-B-XX-XX	20	6.1	5" square	.188"	11"	10.25" - 13.25"	7.25" - 9.37"	11.50"	1" x 36" x 4"	4.5	267
SSS-B-25-50-B-XX-XX	25	7.6	5" square	.188"	11"	10.25" - 13.25"	7.25" - 9.37"	11.50"	1" x 36" x 4"	4.5	327
SSS-B-30-50-B-XX-XX	30	9.1	5" square	.188"	11"	10.25" - 13.25"	7.25" - 9.37"	11.50"	1" x 36" x 4"	4.5	387
SSS-B-25-50-C-XX-XX	25	7.6	5" square	.25"	11"	10.25" - 13.25"	7.25" - 9.37"	11.50"	1" x 36" x 4"	4.5	427
SSS-B-30-50-C-XX-XX	30	9.1	5" square	.25"	11"	10.25" - 13.25"	7.25" - 9.37"	11.50"	1" x 36" x 4"	4.5	507
SSS-B-20-60-B-XX-XX	20	6.1	6" square	.188"	12"	11.00" - 13.25"	7.81" - 9.37"	12.25"	1-1/4" x 42" x 6"	5.0	329
SSS-B-25-60-B-XX-XX	25	7.6	6" square	.188"	12"	11.00" - 13.25"	7.81" - 9.37"	12.25"	1-1/4" x 42" x 6"	5.0	404
SSS-B-30-60-B-XX-XX	30	9.1	6" square	.188"	12"	11.00" - 13.25"	7.81" - 9.37"	12.25"	1-1/4" x 42" x 6"	5.0	479
SSS-B-35-60-B-XX-XX	35	10.7	6" square	.188"	12"	11.00" - 13.25"	7.81" - 9.37"	12.25"	1-1/4" x 42" x 6"	5.0	554
SSS-B-40-60-B-XX-XX	40	12.2	6" square	.188"	12"	11.00" - 13.25"	7.81" - 9.37"	12.25"	1-1/4" x 42" x 6"	5.0	629
SSS-B-30-60-C-XX-XX	30	9.1	6" square	.25"	12"	11.00" - 13.25"	7.81" - 9.37"	12.25"	1-1/4" x 42" x 6"	5.0	614
SSS-B-35-60-C-XX-XX	35	10.7	6" square	.25"	12"	11.00" - 13.25"	7.81" - 9.37"	12.25"	1-1/4" x 42" x 6"	5.0	712
SSS-B-40-60-C-XX-XX	40	12.2	6" square	.25"	12"	11.00" - 13.25"	7.81" - 9.37"	12.25"	1-1/4" x 42" x 6"	5.0	809

NOTE: Factory supplied template must be used when setting anchor bolts. Beacon Products will deny any claim for incorrect anchorage placement resulting from failure to use factory supplied template and anchor bolts.

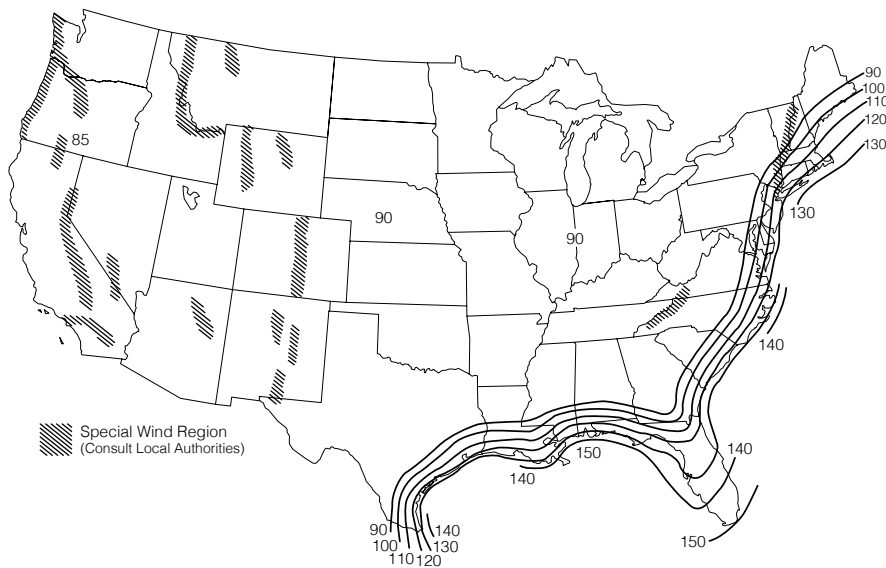
<p><b>EHH - EXTRA HANDHOLE</b></p>  <p>Provision for Grounding</p>	<p><b>C05 - C07 - C20 - COUPLING</b></p>  <p>2" - 11.5 NPSM Threads 3/4" - 14 NPSM Threads 1/2" - 14 NPSM Threads</p>	<p><b>VM1 - VIBRATION DAMPER 1ST MODE</b></p>  <p>Field Installed Pole Top damper designed to reduce pole top deflection or sway. VM1 is required for pole systems 25' and taller with a total EPA of 1.0 or less.</p>	<p><b>VM2 - VIBRATION DAMPER 2ND MODE</b></p>  <p>Factory installed, internal damper designed to alter pole resonance to reduce movement and material fatigue caused by 2nd mode vibration.</p>	<p><b>VM2SXX - VIBRATION DAMPER 2ND MODE</b></p>  <p>VM2S08 - 8' VM2S12 - 12' VM2S16 - 16' VM2S20 - 20' VM2S24 - 24'</p> <p>Field installed, internal damper designed to alter pole resonance to reduce movement and material fatigue caused by 2nd mode vibration.</p>
---	--	---	---	--

<p><b>GFI - 20 AMP GFCI RECEPTACLE &amp; COVER</b></p>  <p>Square Steel Pole Standard hand hole frame Adapter plate Gasket 20 AMP GFCI Wet Locations In-use Cover</p>	<p><b>MPB - MID POLE BRACKET</b></p>  <p>Square Steel Pole Attachment stub 5" long welded to pole 2" pipe tenon 4.25" tall Arm, 3" Sq. x 13.5" long ships separately</p>	<p><b>OPTION ORIENTATION</b></p> <p>Follow the logic below when ordering location specific options. For each option, include its orientation (in degrees) and its height (in feet). Example: Option C07 should be ordered as: SSS-B-20-40-A-TA-DB-C07-0-15 (.5" coupling on the handhole/arm side of pole, 15 feet up from the pole base) 1' spacing required between option. Consult factory for other configurations.</p>  <p>Height of option in feet Bolt Square (Outer) Bolt Square (Inner) Bolt Circle (Outer) Bolt Circle (Inner)</p>
--	---	---

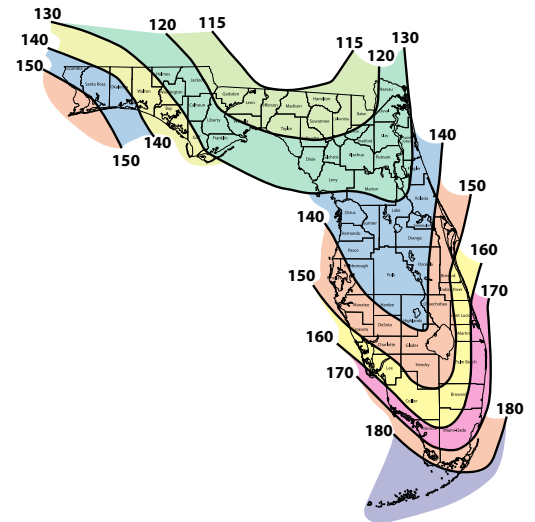
For more information about pole vibration and vibration dampers, please consult [http://www.beaconproducts.com/content/products/literature/literature\\_files/Pole\\_Wind\\_Induced\\_Flyer\\_HL010022.pdf](http://www.beaconproducts.com/content/products/literature/literature_files/Pole_Wind_Induced_Flyer_HL010022.pdf)  
Due to our continued efforts to improve our products, product specifications are subject to change without notice.



# ASCE7-05 WIND MAP



# FLORIDA REGION WIND



HAWAII – 105 mph  
 PUERTO RICO – 145 mph

• Florida region wind map above is based upon 3-second gust winds and the 2010 Florida Building Code

ASCE 7-05 wind map EPA Load Rating - 3 second gust wind speeds							
Catalog Number	85	90	100	110	120	105	145
SSS-B-10-40-A	25.0	25.0	25.0	20.6	17.0	22.8	11.0
SSS-B-12-40-A	25.0	25.0	20.0	16.1	13.2	18.0	8.1
SSS-B-14-40-A	23.1	20.4	16.1	12.8	10.2	14.3	5.9
SSS-B-16-40-A	19.0	16.7	13.0	10.1	7.9	11.5	4.1
SSS-B-18-40-A	15.6	13.6	10.0	7.8	5.9	9.0	2.6
SSS-B-20-40-A	12.7	10.9	7.9	5.9	4.2	6.9	1.3
SSS-B-25-40-A	7.3	5.9	3.8	2.1	0.8	2.9	NR
SSS-B-14-40-B	25.0	25.0	23.3	18.6	15.1	20.8	9.2
SSS-B-16-40-B	25.0	24.9	19.4	15.4	12.3	17.3	7.2
SSS-B-18-40-B	24.0	20.8	16.1	12.5	9.8	14.2	5.3
SSS-B-20-40-B	20.2	17.5	13.2	10.1	7.7	11.6	3.8
SSS-B-25-40-B	12.8	11.0	7.9	5.5	3.7	6.7	0.7
SSS-B-30-40-B	8.0	6.6	4.1	2.2	0.8	3.1	NR
SSS-B-16-50-B	25.0	25.0	25.0	24.8	20.1	25.0	12.3
SSS-B-18-50-B	25.0	25.0	25.0	20.4	16.4	22.9	9.6
SSS-B-20-50-B	25.0	25.0	21.3	16.7	13.2	18.9	7.2
SSS-B-25-50-B	20.7	17.8	13.3	9.8	7.2	11.5	2.6
SSS-B-30-50-B	13.5	11.3	7.7	4.9	2.8	6.2	NR
SSS-B-25-50-C	25.0	25.0	19.4	15.1	11.7	17.1	6.0
SSS-B-30-50-C	20.1	17.3	12.7	9.3	6.6	10.9	2.1
SSS-B-20-60-B	25.0	25.0	25.0	25.0	20.2	25.0	11.5
SSS-B-25-60-B	25.0	25.0	20.6	15.6	11.8	18.0	5.2
SSS-B-30-60-B	21.4	18.1	12.9	8.8	5.7	10.7	NR
SSS-B-35-60-B	14.0	11.3	6.9	3.6	1.0	5.2	NR
SSS-B-40-60-B	8.1	5.8	2.2	NR	NR	NR	NR
SSS-B-30-60-C	24.3	20.5	14.6	10.2	6.8	12.2	1.3
SSS-B-35-60-C	16.6	13.5	8.6	4.9	2.1	6.6	NR
SSS-B-40-60-C	10.6	7.9	3.7	0.6	NR	2.1	NR

Florida Building Code 2010 EPA Load Rating - 3 second gust wind speeds								
Catalog Number	115	120	130	140	150	160	170	180
SSS-B-10-40-A	25.0	25.0	25.0	25.0	21.4	18.4	15.9	13.9
SSS-B-12-40-A	25.0	25.0	23.6	19.8	16.7	14.2	12.1	10.4
SSS-B-14-40-A	25.0	23.1	19.0	15.7	13.1	10.9	9.1	7.6
SSS-B-16-40-A	20.8	18.7	15.2	12.3	10.1	8.2	6.7	5.4
SSS-B-18-40-A	16.8	15.0	11.9	9.4	7.5	5.9	4.5	3.4
SSS-B-20-40-A	13.6	11.9	9.2	7.1	5.3	3.9	2.7	1.7
SSS-B-25-40-A	7.4	6.2	4.1	2.5	1.1	NR	NR	NR
SSS-B-14-40-B	25.0	23.6	19.4	16.1	13.4	11.2	9.4	7.8
SSS-B-16-40-B	21.4	19.2	15.6	12.7	10.4	8.5	6.9	5.6
SSS-B-18-40-B	17.2	15.4	12.2	9.7	7.7	6.1	4.7	3.6
SSS-B-20-40-B	13.9	12.3	9.5	7.3	5.5	4.1	2.9	1.9
SSS-B-25-40-B	7.7	6.4	4.3	2.6	1.3	NR	NR	NR
SSS-B-30-40-B	3.2	2.1	NR	NR	NR	NR	NR	NR
SSS-B-16-50-B	25.0	25.0	25.0	25.0	25.0	21.4	18.2	15.5
SSS-B-18-50-B	25.0	25.0	25.0	24.4	20.4	17.0	14.2	11.9
SSS-B-20-50-B	25.0	25.0	24.4	19.9	16.3	13.4	11.0	8.9
SSS-B-25-50-B	21.8	19.3	15.0	11.5	8.8	6.5	4.7	3.1
SSS-B-30-50-B	13.7	11.7	8.2	5.5	3.3	1.5	NR	NR
SSS-B-25-50-C	21.8	19.3	15.0	11.5	8.8	6.5	4.7	3.1
SSS-B-30-50-C	13.7	11.7	8.2	5.5	3.3	1.5	NR	NR
SSS-B-20-60-B	25.0	25.0	25.0	21.9	17.8	14.5	11.7	9.4
SSS-B-25-60-B	23.8	20.9	16.1	12.3	9.2	6.6	4.5	2.8
SSS-B-30-60-B	14.6	12.3	8.4	5.3	2.8	0.8	NR	NR
SSS-B-35-60-B	7.5	5.6	2.4	NR	NR	NR	NR	NR
SSS-B-40-60-B	1.8	NR	NR	NR	NR	NR	NR	NR
SSS-B-30-60-C	14.6	12.3	8.4	5.3	2.8	0.8	NR	NR
SSS-B-35-60-C	7.5	5.6	2.4	NR	NR	NR	NR	NR
SSS-B-40-60-C	1.8	NR	NR	NR	NR	NR	NR	NR

---

## NOTES

### Wind-speed Website disclaimer:

Hubbell Lighting has no connection to the linked website and makes no representations as to its accuracy. While the information presented on this third-party website provides a useful starting point for analyzing wind conditions, Hubbell Lighting has not verified any of the information on this third party website and assumes no responsibility or liability for its accuracy. The material presented in the windspeed website should not be used or relied upon for any specific application without competent examination and verification of its accuracy, suitability and applicability by engineers or other licensed professionals. Hubbell Lighting Inc. does not intend that the use of this information replace the sound judgment of such competent professionals, having experience and knowledge in the field of practice, nor to substitute for the standard of care required of such professionals in interpreting and applying the results of the windspeed report provided by this website. Users of the information from this third party website assume all liability arising from such use. Use of the output of these referenced websites do not imply approval by the governing building code bodies responsible for building code approval and interpretation for the building site described by latitude/longitude location in the windspeed report. <http://windspeed.atcouncil.org>

### NOTES

- Allowable EPA, to determine max pole loading weight, multiply allowable EPA by 30 lbs.
- The tables for allowable pole EPA are based on the ASCE 7-05 Wind Map or the Florida Region Wind Map for the 2010 Florida Building Code. The Wind Maps are intended only as a general guide and cannot be used in conjunction with other maps. Always consult local authorities to determine maximum wind velocities, gusting and unique wind conditions for each specific application
- Allowable pole EPA for jobsite wind conditions must be equal to or greater than the total EPA for fixtures, arms, and accessories to be assembled to the pole. Responsibility lies with the specifier for correct pole selection. Installation of poles without luminaires or attachment of any unauthorized accessories to poles is discouraged and shall void the manufacturer's warranty
- Wind speeds and listed EPAs are for ground mounted installations. Poles mounted on structures (such as bridges and buildings) must consider vibration and coefficient of height factors beyond this general guide; Consult local and federal standards
- Wind Induced Vibration brought on by steady, unidirectional winds and other unpredictable aerodynamic forces are not included in wind velocity ratings. Consult Hubbell Lighting's Pole Vibration Application Guide for environmental risk factors and design considerations. [http://www.beaconproducts.com/content/products/literature/literature\\_files/Pole\\_Wind\\_Induced\\_Flyer\\_HL010022.pdf](http://www.beaconproducts.com/content/products/literature/literature_files/Pole_Wind_Induced_Flyer_HL010022.pdf)
- Extreme Wind Events like, Hurricanes, Typhoons, Cyclones, or Tornadoes may expose poles to flying debris, wind shear or other detrimental effects not included in wind velocity ratings

---

Due to our continued efforts to improve our products, product specifications are subject to change without notice.

---

# VIPER S SERIES

SMALL VIPER LUMINAIRE

Cat.#

Job

Type



Approvals

## SPECIFICATIONS

### Intended Use:

The Beacon Viper luminaire is available with a wide choice of different LED Wattage configurations and optical distributions designed to replace HID lighting up to 400W MH or HPS.

### Construction:

- Manufactured with die cast aluminum.
- Coated with a polyester finish that meets ASTM B117 corrosion testing requirements and ASTM D522 cracking and loss of adhesion test requirements.
- External hardware is corrosion resistant.
- One piece optical cartridge system consisting of an LED engine, LED lamps, optics, gasket and stainless steel bezel.
- Cartridge is held together with internal brass standoffs soldered to the board so that it can be field replaced as a one piece optical system.
- Two-piece silicone and micro-cellular polyurethane foam gasket ensures a weather-proof seal around each individual LED.

### Electrical:

- 100V through 277V, 50 Hz to 60 Hz (UNV), or 347V or 480V input.
- Power factor is  $\geq .90$  at full load.
- All electrical components are rated at 50,000 hours at full load and 25°C ambient conditions per MIL- 217F Notice 2.
- Dimming drivers are standard, but must contact factory to request wiring leads for purpose of external dimming controls.
- Component-to-component wiring within the luminaire may carry no more than 80% of rated load and is certified by UL for use at 600VAC at 90°C or higher.
- Plug disconnects are certified by UL for use at 600 VAC, 13A or higher. 13A rating applies to primary (AC) side only.
- Fixture electrical compartment shall contain all LED driver components and shall be provided with a push-button terminal block for AC power connections.
- The housing is designed for an optional twist lock photo control receptacle.
- Ambient operating temperature -40°C to 40°C
- Surge protection - 20KA.
- Optional 7-pin ANSI C136.41-2013 twist-lock photo control receptacle available. Compatible with ANSI C136.41 external wireless control devices.
- Lifeshield™ Circuit - protects luminaire from excessive temperature. The device shall activate at a specific, factory-preset temperature, and progressively reduce power over a finite temperature range. Operation shall be smooth and undetectable to the eye. Thermal circuit is designed to "fail on", allowing the luminaire to revert to full power in the event of an interruption of its power supply, or faulty wiring connection to the drivers. The device shall be able to co-exist with other 0-10V control devices (occupancy sensors, external dimmers, etc.).

### Controls/Options:

- Available with an optional passive infrared (PIR) motion sensor capable of detecting motion 360° around the luminaire. When no motion is detected for the specified time, the Motion Response system reduces the wattage to factory preset level, reducing the light level accordingly. When motion is detected by the PIR sensor, the luminaire returns to full wattage and full light output. Please contact Beacon Products if project requirements vary from standard configuration.
- Available with Energeni for optional set dimming, timed dimming with simple delay, or timed dimming based on time of night (see [www.beaconproducts.com/products/energeni](http://www.beaconproducts.com/products/energeni)).
- In addition, Viper can be specified with SiteSync™ wireless control system for reduction in energy and maintenance cost while optimizing light quality 24/7. See ordering information or visit [www.hubbellighting.com/sitesync](http://www.hubbellighting.com/sitesync) for more details.

### Installation:

- Mounting options for horizontal arm, vertical tenon or traditional arm mounting available. Mounting hardware included.

### Finish:

- IFS polyester powder-coat electro-statically applied and thermocured.
- IFS finish consists of a five stage pretreatment regimen with a polymer primer sealer and top coated with a thermoset super TGIC polyester powder coat finish.
- The finish meets the AAMA 605.2 performance specification which includes passing a 3000 hour salt spray test for corrosion resistance and resists cracking or loss of adhesion per ASTM D522 and resists surface impacts of up to 160 inch-pounds.

### Listings:

- DesignLights Consortium (DLC) qualified, consult DLC website for more details: <http://www.designlights.org/QPL>
- Listed to UL1598 and CSA22.2#250.0-24 for wet locations and 40°C ambient temperatures
- 3G rated for ANSI C136.31 high vibration applications with SF2 mounting
- IDA approved

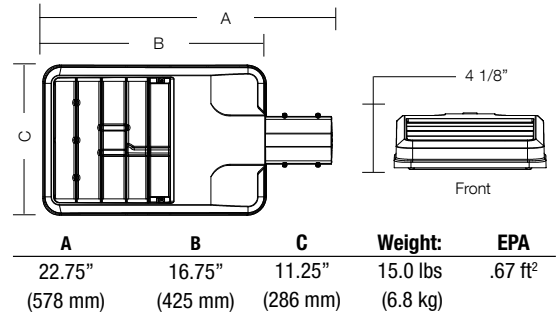
### Warranty:

Five year limited warranty for more information visit: [www.hubbellighting.com/resources/warranty](http://www.hubbellighting.com/resources/warranty)

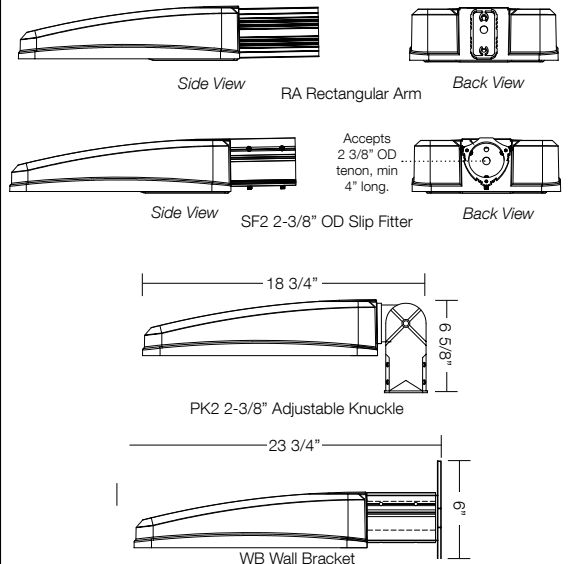
## PRODUCT IMAGE(S)



## DIMENSIONS



## MOUNTING OPTIONS



## CERTIFICATIONS/LISTINGS



\*3000K and warmer CCTs only



Beacon Products • 2041 58th Avenue Circle East Bradenton, FL 34203 • Phone: 800-345-4928

Due to our continued efforts to improve our products, product specifications are subject to change without notice.

© 2015 BEACON PRODUCTS, All Rights Reserved • For more information visit our website: [www.beaconproducts.com](http://www.beaconproducts.com) • Printed in USA VPS-SPEC 11/16



**ORDERING INFORMATION** ORDERING EXAMPLE: VPS/36NB-80/5K/T4/UNV/PCR-TL/SWP/BLC/RA/BBT

VPS									
SERIES	ENGINE-WATTS	LED COLOR	VOLTAGE	ELECTRICAL OPTIONS	HOUSE SIDE SHIELD OPTIONS				FINISH
<b>VPS</b> viper-small	<b>24NB-55</b> 55W, LED array <b>30NB-70</b> 70W, LED array <b>36NB-80</b> 80W, LED array <b>48NB-110</b> 110W, LED array <b>60NB-136</b> 136W, LED array	<b>3K</b> 3000K <b>4K</b> 4000K <b>5K</b> 5000K <b>OPTICS<sup>4</sup></b> T1 type I T2 type II T3 type III <b>T4</b> type IV T5R type V, rectangular T5QM type V, square medium T5W type V, round wide FR front row auto optic	<b>UNV</b> 120-277V <b>347V</b> 347V <b>480V</b> 480V	<b>PCR-TL</b> Twist lock receptacle with photo control <b>PCR-SC</b> Twist lock receptacle with shorting cap <b>PCR-U</b> Twist lock receptacle <b>2PF<sup>7</sup></b> dual power feed	<b>HSS-90</b> house side shield 90° <b>HSS-180</b> house side shield 180° <b>BLC<sup>3</sup></b> backlight control <b>SENSOR OPTIONS</b> MDD <sup>2,5</sup> motion dimming detector <b>BIRD DETERRENT</b> BSP bird spike <b>MOUNTING OPTIONS</b> <b>RA</b> rectangular arm for round or square pole mount. RPA included. SF2 2 3/8" OD slip-fitter PK2 2 3/8" adjustable knuckle WB wall bracket (use with SF2 or PK2), SF2 standard				<b>BBT</b> basic black textured <b>BMT</b> black matte textured <b>WHT</b> white textured <b>MBT</b> metallic bronze textured <b>BZT</b> bronze textured <b>DBT</b> dark bronze textured <b>GYS</b> gray smooth <b>DPS</b> dark platinum smooth <b>GNT</b> green textured <b>MST</b> metallic silver textured <b>MTT</b> metallic titanium textured <b>OWI</b> old world iron <b>RAL</b> _____
				CONTROL OPTIONS					
				GENI-XX <sup>6</sup> Energeni SWP <sup>1,5</sup> SiteSync Wireless Pre-Commission SWPM <sup>2,5</sup> SiteSync Wireless Pre-Commission w/ Motion Detection					

<sup>1</sup> Must specify group and zone information at time of order. See www.hubbellighting.com/controls/sitesync for further details.  
<sup>2</sup> Specify time delay, dimming level and mounting height.  
<sup>3</sup> T4 optic only.  
<sup>4</sup> To rotate optics Left or right 90 degrees, specify L or R after the optical distribution example T4L.  
<sup>5</sup> Not available with other control or sensor options.  
<sup>6</sup> When ordering Energeni, specify the routine setting code (example GENI-04). See Energeni brochure and instructions for setting table and options. Not available with sensor options.  
<sup>7</sup> Not available for 347V or 480V input.

Accessories and Services (Ordered Separately)

Catalog Number	Description
SWUSB*	SiteSync loaded on USB flash drive (Windows based only)
SWTAB*	SiteSync Windows Tablet
SWBRG*	SiteSync Wireless Bridge Node

\*When ordering with SiteSync, one of the following interface options must be chosen and ordered separately. Each option contains the SiteSync License, GUI and Bridge Node.  
 + If needed, an additional Bridge Node can be ordered.



DesignLights Consortium qualified. Consult DLC website for more details: <http://www.designlights.org/QPL>

**PRECOMMISSIONED SITESYNC ORDERING INFORMATION:** When ordering a fixture with the SiteSync lighting control option, additional information will be required to complete the order. The SiteSync Commissioning Form or alternate schedule information must be completed. This form includes Project location, Group information, and Operating schedules. For more detailed information please visit www.HubbellLighting.com/products/sitesync or contact Hubbell Lighting tech support at (800) 345-4928.

SiteSync fixtures with Motion control (SWPM) require the mounting height of the fixture for selection of the lens.

Examples: VP-S/24NB-55/5K/T3/UNV/SWP/RA/DBT SiteSync only  
 VP-S/24NB-55/5K/T3/UNV/SWPM-20F/RA/DBT SiteSync with Motion Control

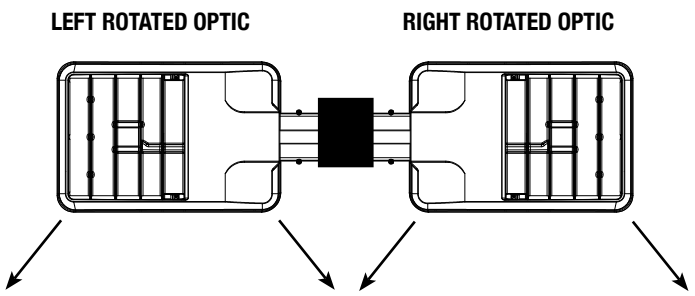
**MDD ORDERING INFORMATION:** When ordering a fixture with the motion detection option (MDD), please specify the appropriate information. These settings are specified in the ordering as shown in the example below.

VP-S/24NB-55/5K/T3/UNV/MDD - 1 to 30 min. - 33% or 50% - ?? / RA/DBT

High to Dim Delay    Low Level    Mounting Height (ft.)



SiteSync Lighting Control is available from our most popular brands in a broad range of award-winning product families.



Beacon Products • 2041 58th Avenue Circle East Bradenton, FL 34203 • Phone: 800-345-4928

Due to our continued efforts to improve our products, product specifications are subject to change without notice.

© 2016 BEACON PRODUCTS, All Rights Reserved • For more information visit our website: [www.beaconproducts.com](http://www.beaconproducts.com) • Printed in USA SPEC 11/16



**PERFORMANCE DATA**

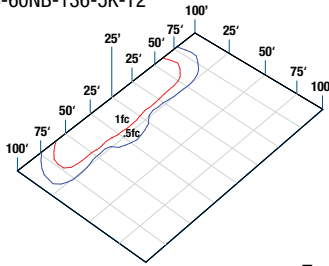
# LED'S	DRIVE CURRENT (MILLIAMPS)	SYSTEM WATTS	DISTRIBUTION TYPE	5K (5000K nominal, 70 CRI)					4K (4000K nominal, 70 CRI)					3K (3000K nominal, 80 CRI)				
				LUMENS	LPW <sup>1</sup>	B	U	G	LUMENS	LPW <sup>1</sup>	B	U	G	LUMENS	LPW <sup>1</sup>	B	U	G
24	700 mA	55 W	FR/T1	6339	114	1	0	1	6276	112	1	0	1	5389	97	1	0	1
			T2	5666	102	2	0	2	5610	101	2	0	2	4816	86	1	0	2
			T3	5610	101	1	0	2	5554	100	1	0	2	4784	86	1	0	2
			T4	6171	111	1	0	2	6110	109	1	0	2	5245	94	1	0	2
			T5R	6283	113	3	0	3	6221	111	3	0	3	5341	96	3	0	3
			T5QM	6171	111	3	0	1	6110	109	3	0	1	5245	94	2	0	1
			T5W	6087	109	3	0	1	6027	108	3	0	1	5201	93	3	0	1
30	700 mA	70 W	FR/T1	8096	113	1	0	1	8016	112	1	0	1	6882	96	1	0	1
			T2	7204	101	2	0	2	7133	100	2	0	2	6123	86	2	0	2
			T3	7743	108	2	0	2	7666	107	2	0	2	6659	93	2	0	2
			T4	7896	111	1	0	2	7817	110	1	0	2	6791	95	1	0	2
			T5R	8035	112	3	0	3	7954	111	3	0	3	6829	95	3	0	3
			T5QM	7846	110	3	0	1	7768	109	3	0	1	6669	93	3	0	1
			T5W	8305	116	3	0	2	8222	115	3	0	2	7142	100	3	0	2
36	700 mA	80 W	FR/T1	9515	114	1	0	1	9414	112	1	0	1	8083	96	1	0	1
			T2	8505	101	2	0	3	8415	100	2	0	3	7224	87	2	0	2
			T3	8415	100	2	0	2	8331	99	2	0	2	7175	86	2	0	2
			T4	9256	110	1	0	3	9164	109	1	0	3	7868	94	1	0	3
			T5R	9425	112	3	0	3	9331	111	3	0	3	8011	96	3	0	3
			T5QM	9257	110	3	0	1	9164	109	3	0	1	7868	94	3	0	1
			T5W	9131	109	3	0	2	9040	108	3	0	2	7801	93	3	0	2
48	700 mA	110 W	FR/T1	12679	114	2	0	1	15522	113	2	0	1	10777	97	1	0	1
			T2	11332	102	3	0	3	11220	101	3	0	3	9633	87	2	0	3
			T3	11220	101	2	0	3	11108	100	2	0	3	9567	86	2	0	3
			T4	12342	111	2	0	3	12219	110	2	0	3	10491	95	2	0	3
			T5R	12567	113	4	0	4	12441	112	4	0	4	10682	96	3	0	3
			T5QM	12342	111	3	0	2	12219	111	3	0	2	10491	95	3	0	2
			T5W	12175	110	4	0	2	12053	109	4	0	2	10402	94	4	0	2
60	700 mA	136 W	FR/T1	15848	116	2	0	1	15690	115	2	0	1	13471	98	2	0	1
			T2	14165	103	3	0	3	14025	102	3	0	3	12041	88	3	0	3
			T3	14025	102	3	0	3	13885	101	3	0	3	11959	87	3	0	3
			T4	15427	113	2	0	3	15274	111	2	0	3	13114	96	2	0	3
			T5R	15708	115	4	0	4	15259	111	4	0	4	13352	97	4	0	4
			T5QM	15427	113	4	0	2	15274	111	4	0	2	13314	96	3	0	2
			T5W	15218	111	4	0	2	15066	111	4	0	2	13002	95	4	0	2

<sup>1</sup>Lumen values are from photometric tests performed in accordance with IESNA LM-79-08. Data is considered to be representative of the configurations shown. Actual performance may differ as a result of end-user environment and application.

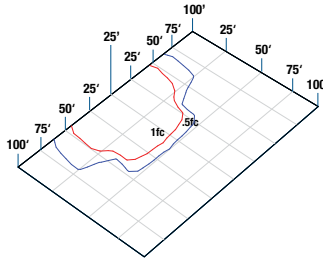


## PHOTOMETRICS

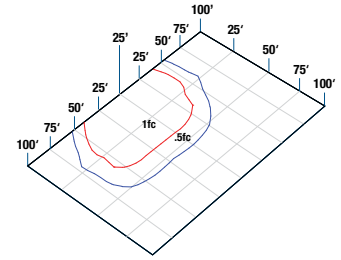
Type II  
VP-S-60NB-136-5K-T2



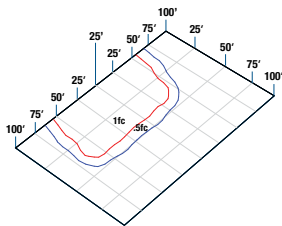
Type III  
VP-S-60NB-136-5K-T3



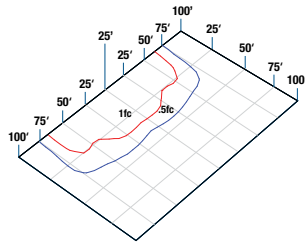
Type IV  
VP-S-60NB-136-5K-T4



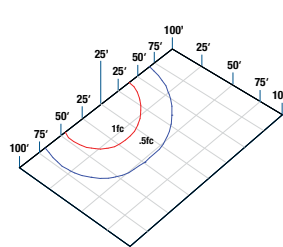
Type V Square Medium  
VP-S-60NB-136-5K-T5QM



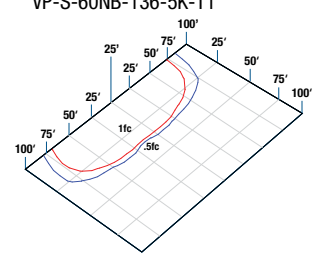
Type V Rectangular  
VP-S-60NB-136-5K-T5R



Type V Round Wide  
VP-S-60NB-136-5K-T5W



Front Row Auto Optic / Type I  
VP-S-60NB-136-5K-FR  
VP-S-60NB-136-5K-T1



## ELECTRICAL DATA

# OF LEDS	NUMBER OF DRIVERS	DRIVE CURRENT (mA)	INPUT VOLTAGE (V)	SYSTEM POWER (w)	CURRENT (Amps)
24	2	700 mA	120	55	0.5
			277		0.2
			347		0.2
			480		0.1
			120		0.6
30	2	700 mA	120	70	0.3
			277		0.2
			347		0.1
			480		0.1
			120		0.7
36	1	700 mA	120	80	0.3
			277		0.2
			347		0.2
			480		0.2
			120		0.9
48	1	700 mA	120	110	0.4
			277		0.3
			347		0.2
			480		0.2
			120		1.1
60	1	700 mA	120	136	0.5
			277		0.4
			347		0.4
			480		0.3
			120		0.3

## PROJECTED LUMEN MAINTENANCE

AMBIENT TEMP.	0	25,000	50,000	TM-21-11 60,000	100,000	Calculated L70 (HOURS)
25°C / 77°C	1.00	0.97	0.95	0.95	0.92	>470,000

<sup>1</sup> Projected per IESNA TM-21-11

Data references the extrapolated performance projections for the base model in a 40°C ambient, based on 10,000 hours of LED testing per IESNA LM-80-08.

AMBIENT TEMPERATURE		LUMEN MULTIPLIER
0°C	32°F	1.02
10°C	50°F	1.01
20°C	68°F	1.00
25°C	77°F	1.00
30°C	86°F	0.98
40°C	104°F	0.98

Use these factors to determine relative lumen output for average ambient temperatures from 0-40°C (32-104°F).

## EPA

Config.	EPA
1	.67
2 @ 90°	.95
2 @ 180°	1.34

Config.	EPA
3 @ 120°	1.36
3 @ 90°	1.5
4 @ 90°	1.5

## DRILL PATTERN

