



**City of Portland, Maine – Building or Use Permit Application** 389 Congress Street, 04101, Tel: (207) 874-8703, FAX: 874-8716

Location of Construction: ***655 Riverside Street		Owner: *** Porter Drywall		Phone:		Permit No: 01-0215	
Owner Address:		Lessee/Buyer's Name:		Phone:		BusinessName:	
Contractor Name: Porter Drywall <i>Ken Porter</i>		Address:		Phone: 878-2024		Permit Issued: <b>PERMIT ISSUED</b> MAR 21 11	
Past Use: Warehouse / Office		Proposed Use: Warehouse / Office <i>no use change</i>		COST OF WORK: \$10,000.00		PERMIT FEE: \$84.00	
				FIRE DEPT. <input checked="" type="checkbox"/> Approved <input type="checkbox"/> Denied		INSPECTION: Use Group: <i>58</i> <i>BOC 299</i>	
Proposed Project Description:  New mezzanine w/offices & bathroom - <i>All internal (separate permit applied for New bldg)</i>				Signature: <i>[Signature]</i>		Signature: <i>[Signature]</i>	
Permit Taken By: Gayle		Date Applied For: March 8, 2001 gg		PEDESTRIAN ACTIVITIES DISTRICT (P.A.D.) Action: Approved <input type="checkbox"/> Approved with Conditions: <input type="checkbox"/> Denied <input type="checkbox"/>		Zoning Approval: <i>[Signature]</i> 3/20/01 <b>Special Zone or Reviews:</b> <input type="checkbox"/> Shoreland <input type="checkbox"/> Wetland <input type="checkbox"/> Flood Zone <input type="checkbox"/> Subdivision <input type="checkbox"/> Site Plan maj <input type="checkbox"/> minor <input type="checkbox"/> mm <input type="checkbox"/>	

1. This permit application does not preclude the Applicant(s) from meeting applicable State and Federal rules.
2. Building permits do not include plumbing, septic or electrical work.
3. Building permits are void if work is not started within six (6) months of the date of issuance. False information may invalidate a building permit and stop all work..

**Zoning Appeal**

Variance  
 Miscellaneous  
 Conditional Use  
 Interpretation  
 Approved  
 Denied

**Historic Preservation**

Not in District or Landmark  
 Does Not Require Review  
 Requires Review

**PERMIT ISSUED WITH REQUIREMENTS**

**CERTIFICATION**

I hereby certify that I am the owner of record of the named property, or that the proposed work is authorized by the owner of record and that I have been authorized by the owner to make this application as his authorized agent and I agree to conform to all applicable laws of this jurisdiction. In addition, if a permit for work described in the application is issued, I certify that the code official's authorized representative shall have the authority to enter all areas covered by such permit at any reasonable hour to enforce the provisions of the code(s) applicable to such permit

March 9, 2001

SIGNATURE OF APPLICANT ADDRESS: DATE: PHONE:

RESPONSIBLE PERSON IN CHARGE OF WORK, TITLE PHONE:

**PERMIT ISSUED WITH REQUIREMENTS** 1

**THIS IS NOT A PERMIT/CONSTRUCTION CANNOT COMMENCE UNTIL THE PERMIT IS ISSUED**

**Minor/Minor Site Review for New Detached Single Family Dwelling,  
All Purpose Building Permit Application**

In the interest of processing your application in the quickest possible manner, please complete the Information below for a Building or Use Permit.

**NOTE\*\*If you or the property owner owes real estate or personal property taxes or user charges on any property within the City, payment arrangements must be made before permits of any kind are accepted.**

Location/Address of Construction: <i>655 Riverside St. 04103</i>
--

Total Square Footage of Proposed Structure <i>Existing</i>	Square Footage of Lot
---	-----------------------

Tax Assessor's Chart, Block & Lot Number  Chart# <i>311</i> Block# <i>A</i> Lot# <i>006</i>	Owner:	Telephone#:
---	--------	-------------

Lessee/Buyer's Name (If Applicable)	Owner's/Purchaser/Lessee Address <i>Same</i> <i>Porter Drywall</i>	Cost Of Work: <i>\$10,000.00</i> Fee: <i>\$84.00</i>
-------------------------------------	---	--

Current use: *Office / Warehouse* Proposed use: *same*

Project description:  
*New mezzanine w/ offices + bathroom*

Contractor's Name, Address & Telephone <i>Porter Drywall - 8782024</i>	Rec'd By: <i>3/8/01</i> <i>Gay</i>
---	---------------------------------------

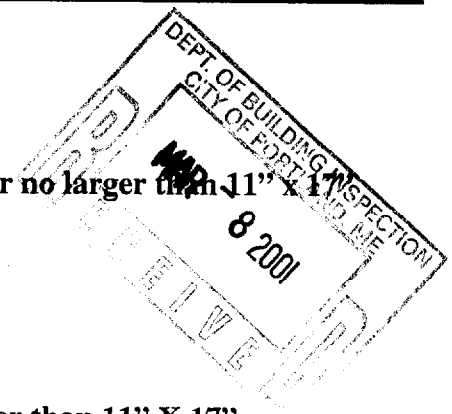
**A "minor/minor" site plan review is required for New Single Family Homes Only. The Site/Plot plan must be prepared and sealed by a registered land surveyor. The following must be submitted:**

- 4 copies of the site/plot plan
- 1 copy of the building/construction plan on 32" x 48"
- 1 copy of the site plan/plot plan and construction/building plan on paper no larger than 11" x 17"

**On all commercial permits the following must be submitted:**

- 1 copy of the site/plot plan
- 2 ~~X~~ copy of the building/construction plan on 32" x 48"
- 1 copy of the site/plot and construction /building plan on paper no larger than 11" X 17"

Please note that single family additions and alterations may be hand drawn on regular paper, however the below details will still apply.



*mail*

**THIS IS NOT A PERMIT/CONSTRUCTION CANNOT COMMENCE UNTIL THE PERMIT IS ISSUED**

**A PLOT PLAN INCLUDES THE FOLLOWING:**

- The shape and dimension of the lot, all existing buildings (if any), the proposed structure and the distance from the actual property lines. Structures include decks porches, a bow windows cantilever sections and roof overhangs, as well as, sheds, pools, garages and any other accessory structures.
- Scale and North arrow; Zoning District & Setbacks
- First Floor sill elevation ( based on mean sea level datum);
- Location and dimensions of parking areas and driveways;
- Location and size of both existing utilities in the street and the proposed utilities serving the building;
- Location of areas on the site that will be used to dispose of surface water.
- Existing and proposed grade contours

**A COMPLETE SET OF CONSTRUCTION DRAWINGS INCLUDES THE FOLLOWING:**

- Cross Sections w/Framing details (including porches, decks w/ railings, and accessory structures)
  - Floor Plans & Elevations
  - Window and door schedules
  - Foundation plans with required drainage and damp proofing
- Electrical and plumbing layout. Mechanical drawings for any specialized equipment such as furnaces, chimneys, gas equipment, HVAC equipment (air handling) or other types of work that may require special review must be included.

**SEPARATE PERMITS ARE REQUIRED FOR INTERNAL & EXTERNAL PLUMBING, HVAC AND ELECTRICAL INSTALLATIONS**

- All construction must be conducted in compliance with the 1999 B.O.C.A. Building Code as amended by Section 6-Art II.
- All plumbing must be conducted in compliance with the State of Maine Plumbing Code.
- All Electrical Installation must comply with the 1999 National Electrical Code as amended by Section 6-Art III.
- HVAC (Heating, Ventilation and Air Conditioning) installation must comply with the 1993 BOCA Mechanical Code.

**Certification**

*I hereby certify that I am the Owner of record of the named property, or that the proposed work is authorized by the owner of record and that I have been authorized by the owner to make this application as his/her authorized agent. I agree to conform to all applicable laws of this jurisdiction. In addition, if a permit for work described in this application is issued, I certify that the Code Official's authorized representative shall have the authority to enter all areas covered by this permit at any reasonable hour to enforce the provisions of the codes applicable to this permit.*

<b>Signature of applicant:</b> 	<b>Date:</b> 3-08-01
--	----------------------

Minor/Minor Site Review Fee: \$300.00/Building Permit Fee: \$30.00 for the 1st \$1000.cost plus \$6.00 per \$1,000.00 construction cost thereafter.

**ONE SET OF SUBMISSIONS INCLUDING CONSTRUCTION AND SITE PLAN DRAWINGS MUST BE SUBMITTED ON PAPER NO LARGER THAN 11" x 17" BEFORE ANY BUILDING PERMIT WILL BE ISSUED**

BUILDING PERMIT REPORT

DATE: 9 March 2001 ADDRESS: 655 Riverside ST. CBL: 311-A-006

REASON FOR PERMIT: New mezzanine w/office & bathroom

BUILDING OWNER: Porter Drywall

PERMIT APPLICANT: CONTRACTOR Porter Drywall

USE GROUP: 0/52 CONSTRUCTION TYPE: 5B CONSTRUCTION COST: 10,000 PERMIT FEES: 84.00

The City's Adopted Building Code (The BOCA National Building Code/1999 with City Amendments)
The City's Adopted Mechanical Code (The BOCA National Mechanical Code/1993)

CONDITION(S) OF APPROVAL

This permit is being issued with the understanding that the following conditions shall be met: \*1, \*11, \*13, \*14, \*22, \*29, \*30, \*32, \*34, \*37, \*38

- 1. This permit does not excuse the applicant from meeting applicable State and Federal rules and laws.
2. Before concrete for foundation is placed, approvals from the Development Review Coordinator and Inspection Services must be obtained.
3. Foundation drain shall be placed around the perimeter of a foundation that consists of gravel or crushed stone containing not more than 10 percent material that passes through a No. 4 sieve.
4. Foundations anchors shall be a minimum of 1/2" in diameter, 7" into the foundation wall, minimum of 12" from corners of foundation and a maximum 6' O.C. between bolts.
5. Waterproofing and dampproofing shall be done in accordance with Section 1813.0 of the building code.
6. Precaution must be taken to protect concrete and masonry.
7. It is strongly recommended that a registered land surveyor check all foundation forms before concrete is placed.
8. Private garages located beneath habitable rooms in occupancies in Use Group R-1, R-2, R-3 or I-1 shall be separated from adjacent interior spaces by fire partitions and floor/ceiling assembly which are constructed with not less than 1-hour fire resisting rating.
9. All chimneys and vents shall be installed and maintained as per Chapter 12 of the City's Mechanical Code.
10. Sound transmission control in residential building shall be done in accordance with Chapter 12, Section 1214.0 of the City's Building Code.
11. Guardrails & Handrails: A guardrail system is a system of building components located near the open sides of elevated walking surfaces for the purpose of minimizing the possibility of an accidental fall from the walking surface to the lower level.
12. Headroom in habitable space is a minimum of 7'6".
13. Stair construction in Use Group R-3 & R-4 is a minimum of 10" tread and 7 1/4" maximum rise.
14. The minimum headroom in all parts of a stairway shall not be less than 80 inches.
15. Every sleeping room below the fourth story in buildings of Use Groups R and I-1 shall have at least one operable window or exterior door approved for emergency egress or rescue.
16. Each apartment shall have access to two (2) separate, remote and approved means of egress.
17. All vertical openings shall be enclosed with construction having a fire rating of at least one (1) hour, including fire doors with self closure's.
18. The boiler shall be protected by enclosing with (1) hour fire rated construction including fire doors and ceiling, or by providing automatic extinguishment.

19. All single and multiple station smoke detectors shall be of an approved type and shall be installed in accordance with the provisions of the City's Building Code Chapter 9, Section 920.3.2 (BOCA National Building Code/1999), and NFPA 101 Chapter 18 & 19. (Smoke detectors shall be installed and maintained at the following locations):
  - In the immediate vicinity of bedrooms
  - In all bedrooms
  - In each story within a dwelling unit, including basements
20. A portable fire extinguisher shall be located as per NFPA #10. They shall bear the label of an approved agency and be of an approved type. (Section 921.0)
21. The Fire Alarm System shall be installed and maintained to NFPA #72 Standard.
22. The Sprinkler System shall be installed and maintained to NFPA #13 Standard.
23. All exit signs, lights and means of egress lighting shall be done in accordance with Chapter 10 Section & Subsections 1023.0 & 1024.0 of the City's Building Code. (The BOCA National Building Code/1999)
24. Section 25 - 135 of the Municipal Code for the City of Portland states, "No person or utility shall be granted a permit to excavate or open any street or sidewalk from the time of November 15 of each year to April 15 of the following year".
25. The builder of a facility to which Section 4594-C of the Maine State Human Rights Act Title 5 MRSA refers, shall obtain a certification from a design professional that the plans commencing construction of the facility, the builder shall submit the certification the Division of Inspection Services.
26. Ventilation and access shall meet the requirements of Chapter 12 Sections 1210.0 and 1211.0 of the City's Building Code. (Crawl spaces & attics).
- \*27. All electrical, plumbing and HVAC permits must be obtained by Master Licensed holders of their trade. No closing in of walls until all electrical (min. 72 hours notice) and plumbing inspections have been done.
28. All requirements must be met before a final Certificate of Occupancy is issued.
- \*29. All building elements shall meet the fastening schedule as per Table 2305.2 of the City's Building Code (The BOCA National Building Code/1996).
- \*30. Ventilation of spaces within a building shall be done in accordance with the City's Mechanical code (The BOCA National Mechanical Code/1993). (Chapter M-16)
31. Please read and implement the attached Land Use Zoning report requirements.
- \*32. Boring, cutting and notching shall be done in accordance with Sections 2305.3, 2305.3.1, 2305.4.4 and 2305.5.1 of the City's Building Code.
33. Bridging shall comply with Section 2305.16.
- \*34. Glass and glazing shall meet the requirements of Chapter 24 of the building code. (Safety Glazing Section 2406.0)
35. All flashing shall comply with Section 1406.3.10.
36. All signage shall be done in accordance with Section 3102.0 signs of the City's Building Code, (The BOCA National Building Code/1999).
- \*37. The proposed office mezzanine shall meet the minimum uniformly distributed live load and minimum concentrated live load table 1606.0. 30 PSE is required.
- \*38. Mezzanine shall comply with section 505.0.

P. Samuel Hoffes, Building Inspector  
 Cc: L.V. McDougall, PFD  
 Marge Schmuckal, Zoning Administrator  
 Michael Nugent, Inspection Service Manager

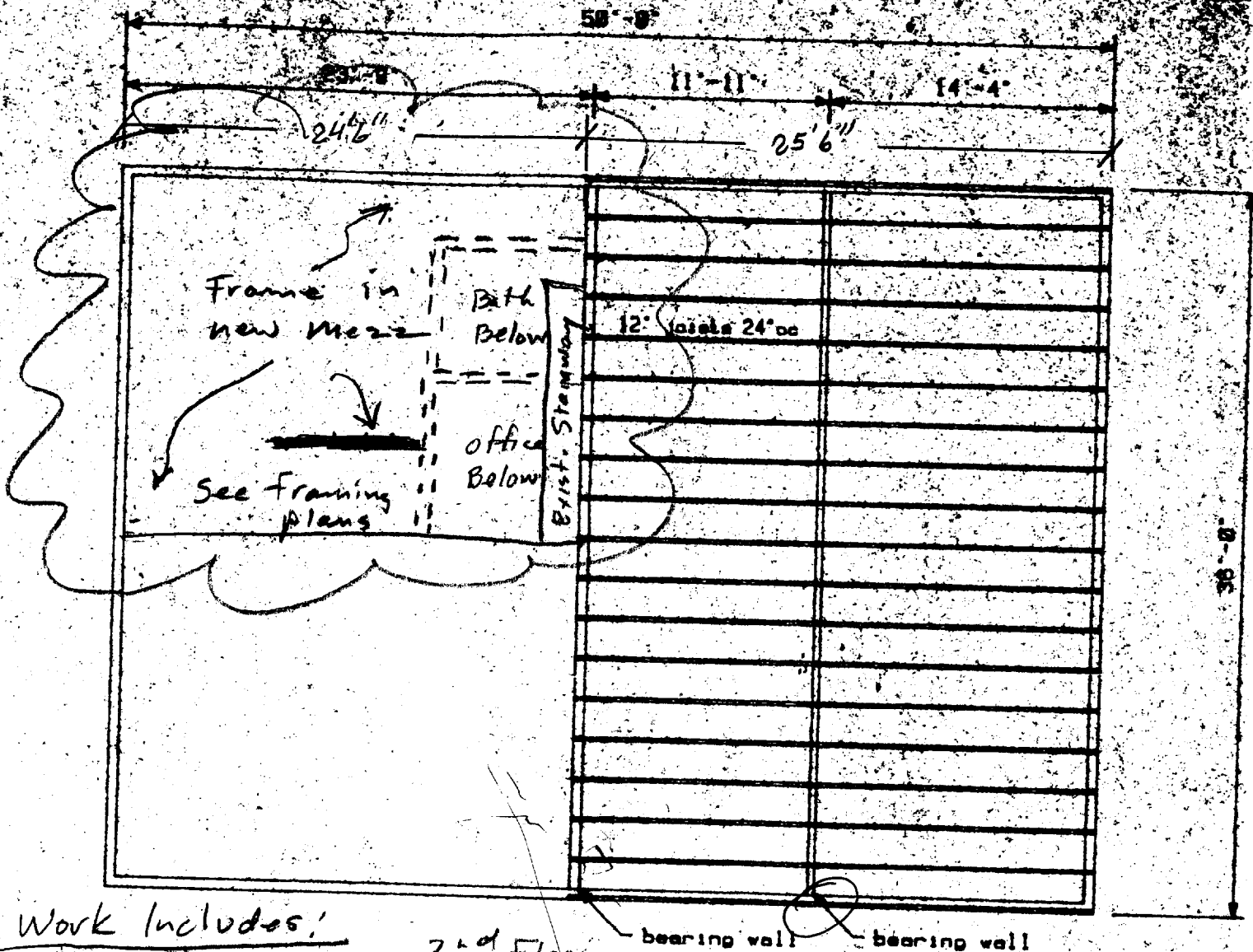
PSH 10/1/00

\*\*This permit is herewith issued, on the basis of plans submitted and conditions placed on these plans, any deviations shall require a separate approval.

\*\*\*THIS PERMIT HAS BEEN ISSUED WITH THE UNDERSTANDING THAT ALL THE CONDITIONS OF THE APPROVAL SHALL BE COMPLETED. THEREFORE, BEFORE THE WORK IS COMPLETED A REVISED PLAN OR STATEMENT FROM THE PERMIT HOLDER SHALL BE SUBMITTED TO THIS OFFICE SHOWING OR EXPLAINING THAT THE CONDITIONS HAVE BEEN MET. IF THIS REQUIREMENT IS NOT RECEIVED YOUR CERTIFICATE OF OCCUPANCY SHALL BE WITHHELD. ( You Shall Call for Inspections )

\*\*\*\*ALL PLANS THAT REQUIRE A PROFESSIONAL DESIGNER'S SEAL, (AS PER SECTION 114.0 OF THE BUILDING CODE) SHALL ALSO BE PRESENTED TO THIS DIVISION ON AUTO CAD LT. 2000, DXF FORMAT OR EQUIVALENT.

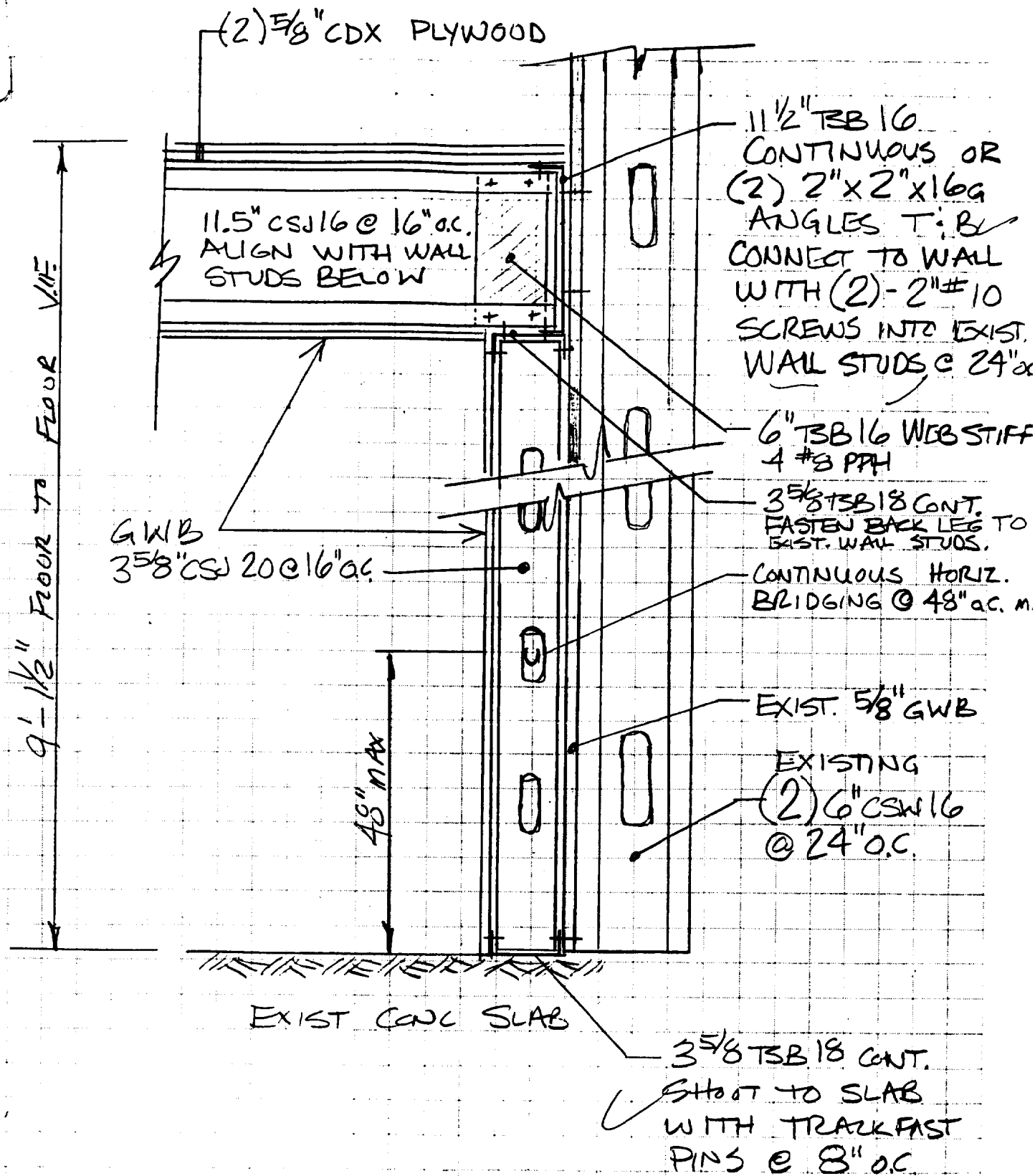
\*\*\*\*\*CERTIFICATE OF OCCUPANCY FEE \$50.00



Work Includes:

- 1.) office space on 2<sup>nd</sup> Floor
  - 2.) Bathroom under Mezz.
  - 3.) Office under Mezz.
- FLOOR FRAMING**
- 1/8" = 1'-0"





(2) 5/8" CDX PLYWOOD

11.5" CSJ 16 @ 16" oc.  
ALIGN WITH WALL STUDS BELOW

11 1/2" T&B 16  
CONTINUOUS OR  
(2) 2" x 2" x 16g  
ANGLES T&B  
CONNECT TO WALL  
WITH (2) - 2" #10  
SCREWS INTO EXIST.  
WALL STUDS @ 24" oc

6" T&B 16 WEB STIFF  
4 #3 PPH

3 5/8" T&B 18 CONT.  
FASTEN BACK LEG TO  
EXIST. WALL STUDS.

CONTINUOUS HORIZ.  
BRIDGING @ 48" oc. m.

EXIST. 5/8" GWB

EXISTING  
(2) 6" CSW 16  
@ 24" oc.

3 5/8" T&B 18 CONT.  
SHOT TO SLAB  
WITH TRACKFAST  
PINS @ 8" oc.

GWB  
3 5/8" CSJ 20 @ 16" oc.

9' 1/2" FLOOR TO FLOOR V.I.E.

48" MAX

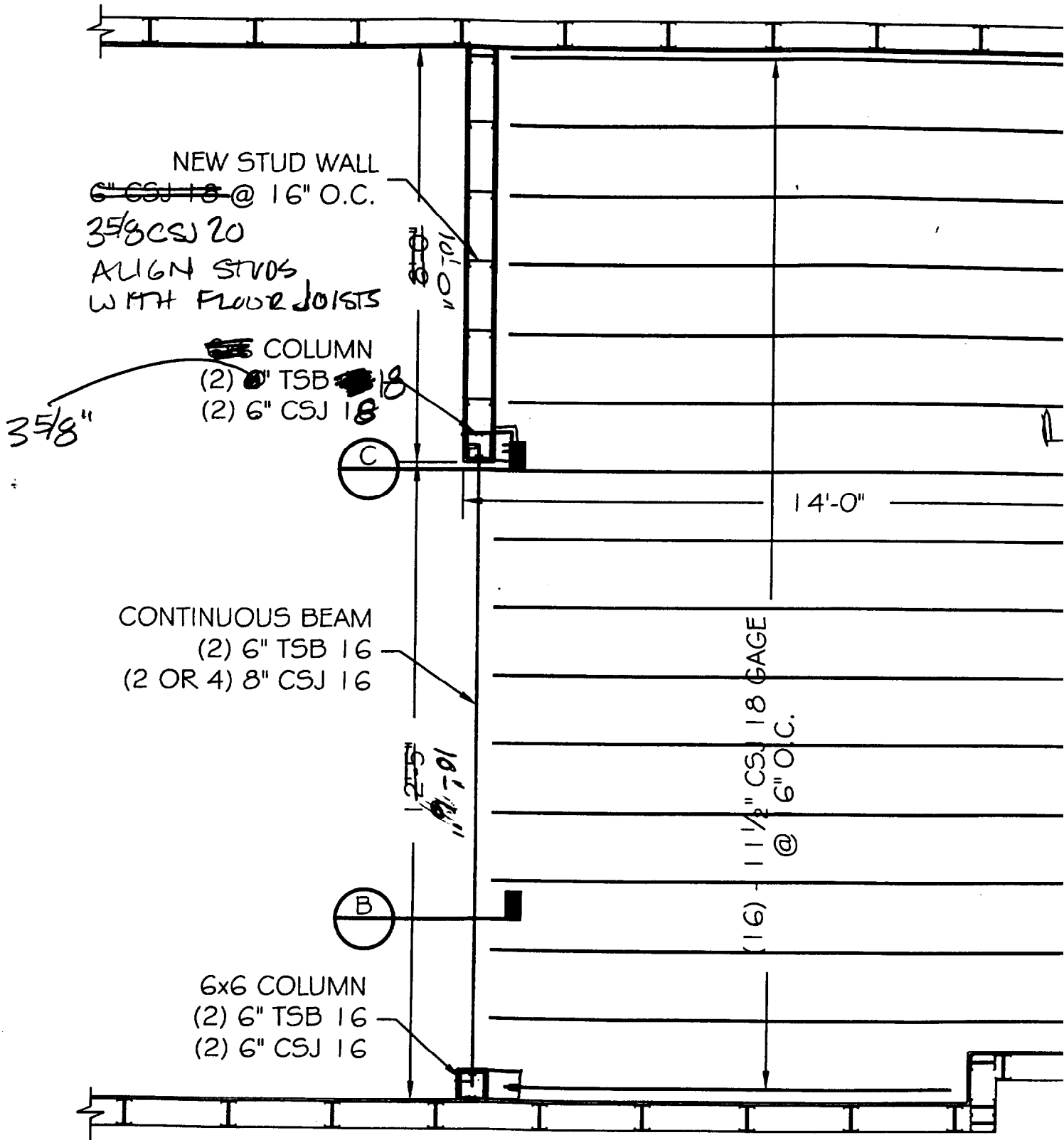
EXIST CONC SLAB

PROJECT: PORTER MEZZ.  
SHEET TITLE:

**ASSOCIATED DESIGN PARTNERS INC.**  
80 Leighton Rd.  
Falmouth, ME 04105  
Tel: 878-1751  
Fax: 878-1788

DATE:  
SCALE:  
DRAWN BY:  
FILE NO.  
PROJECT NUMBER:  
SHEET: OF

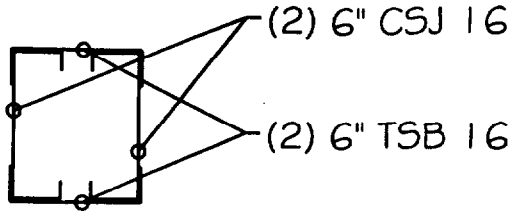




PLAN @ MEZZANINE  
 N.T.S.

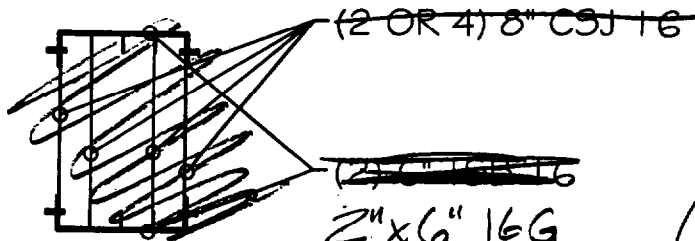
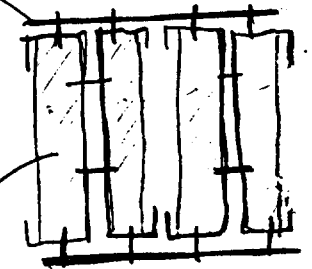
NEW STUD WALL

3 5/8" ~~CSJ 20~~ @ 16" O.C. ALIGN STUDS WITH FLOOR JOISTS



**A** SECTION @ COLUMN  
N.T.S.

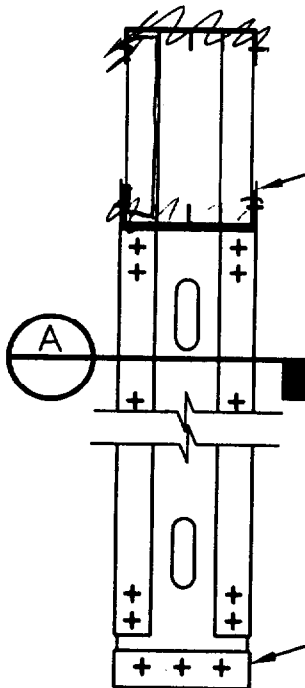
2" x 6" 16 GAGE  
FLAT STRAP  
@ 32" O.C.  
(4) #8 PPH



**B** BUILT-UP BEAM  
N.T.S. @ 32" O.C.

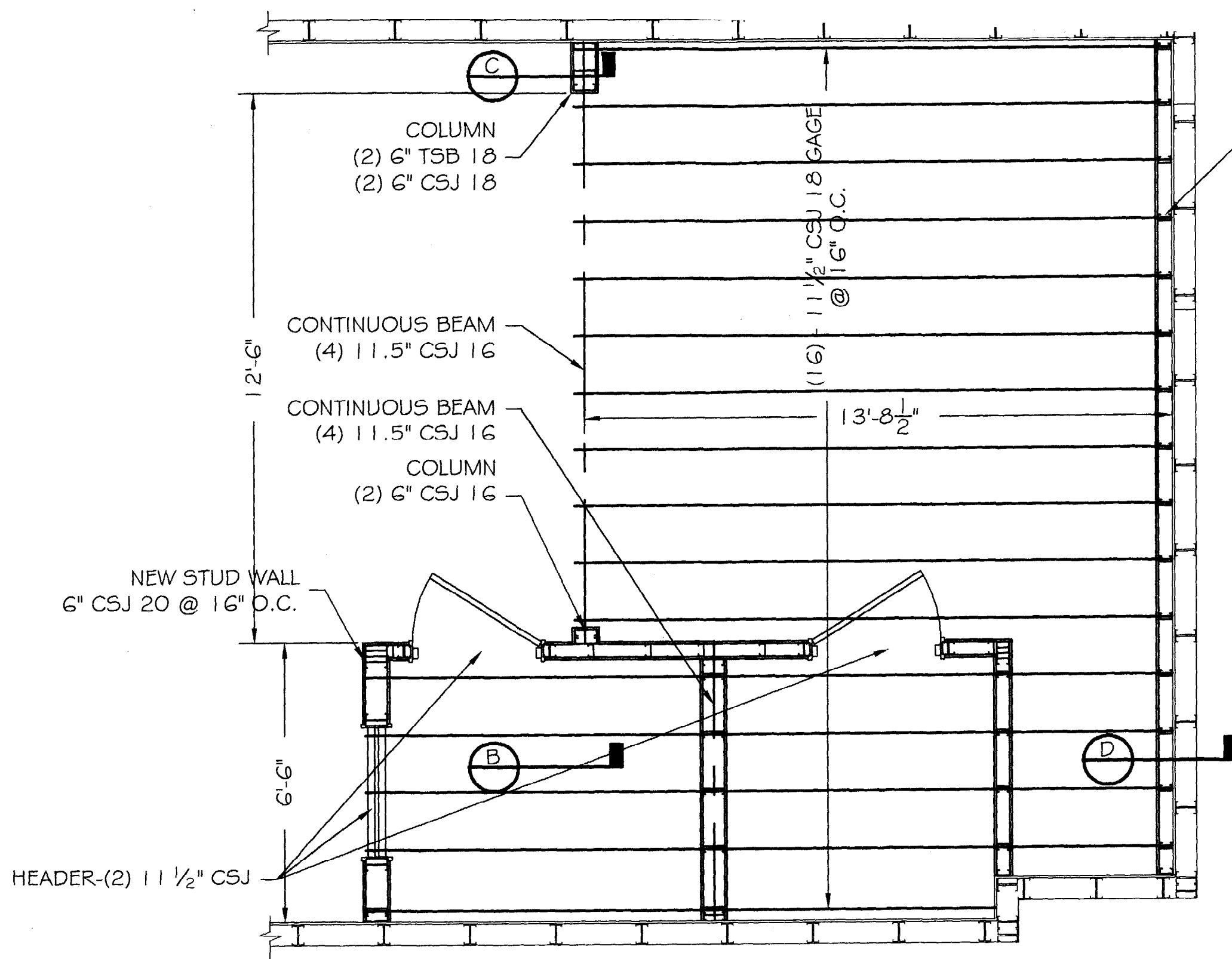
6" TSB 16 WEB  
STIFFENERS @  
EACH SUPPORT

CROP FLANGES OFF 6" TSB 16  
AND OVERLAP WEB 4" ONTO  
BUILT-UP BEAM. PROVIDE (5)  
#8 PPH EACH SIDE.

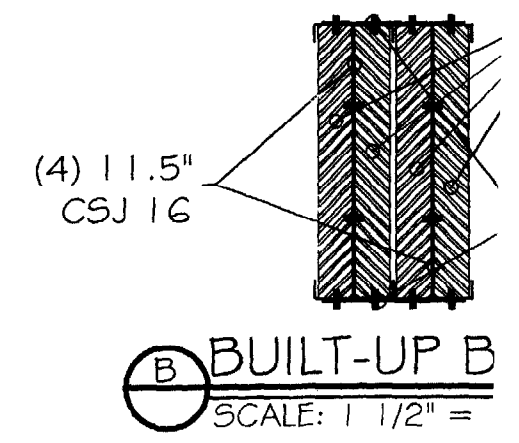


6" TSB 16 SHOOT INTO  
CONCRETE FNDN. USE  
(5) .102 HILTI PINS

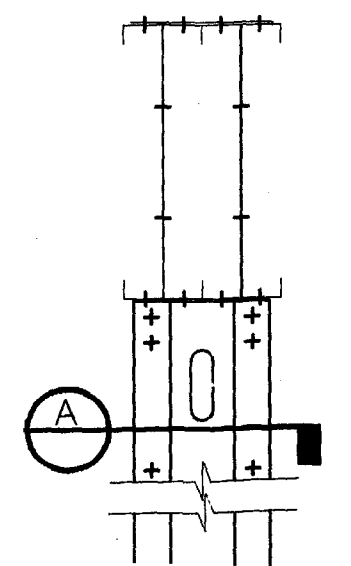
**C** TYPICAL COLUMN  
N.T.S.



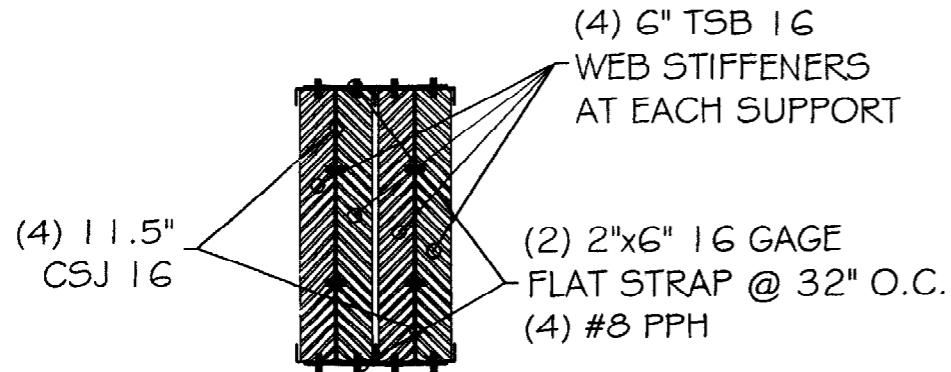
NEW STUD WALL  
 3 5/8" CSJ 20 @ 16" O.C.  
 ALIGN STUDS W/ FLOOR JOISTS



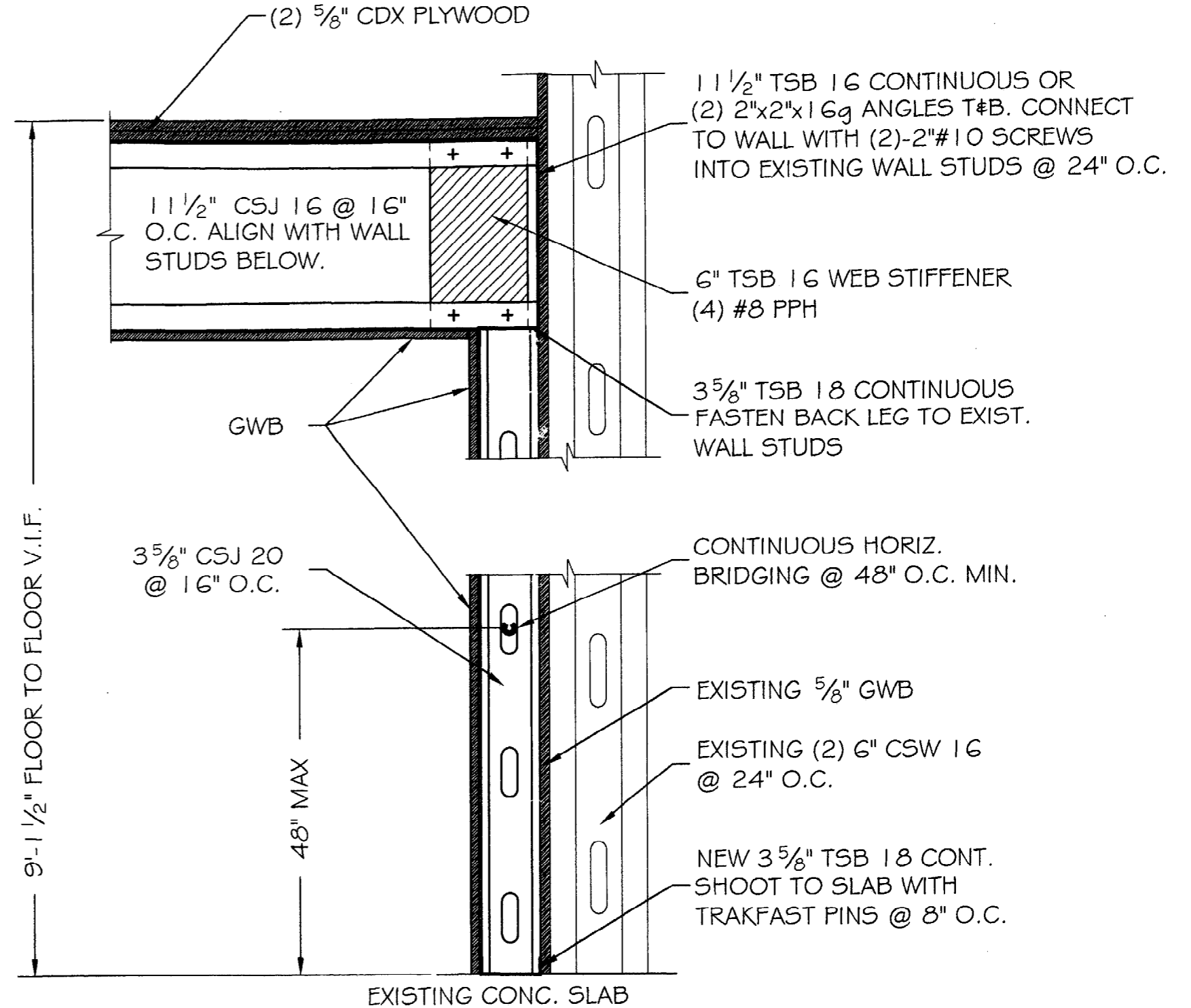
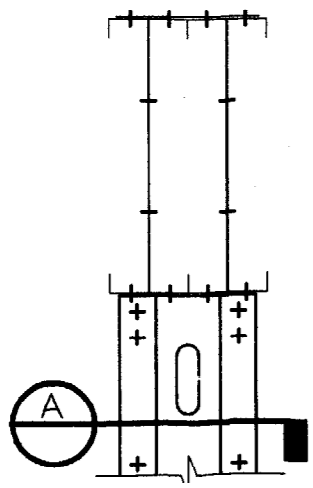
PLAN @ MEZZANINE  
 SCALE: 3/8" = 1'-0"



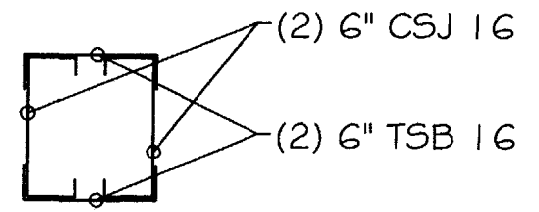
WALL  
 @ 16" O.C.  
 W/ FLOOR JOISTS



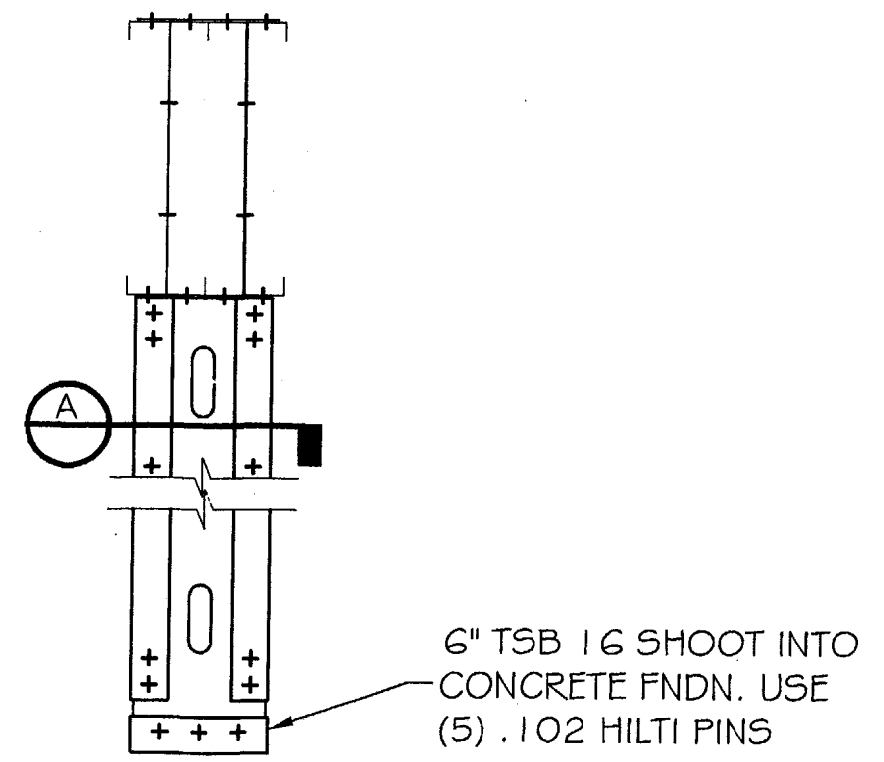
**B BUILT-UP BEAM**  
 SCALE: 1 1/2" = 1'-0"



**D SECTION**  
 SCALE: 1 1/2" = 1'-0"



**A** SECTION @ COLUMN  
 SCALE: 1 1/2" = 1'-0"



**C** TYPICAL COLUMN  
 SCALE: 1 1/2" = 1'-0"