

CBL#

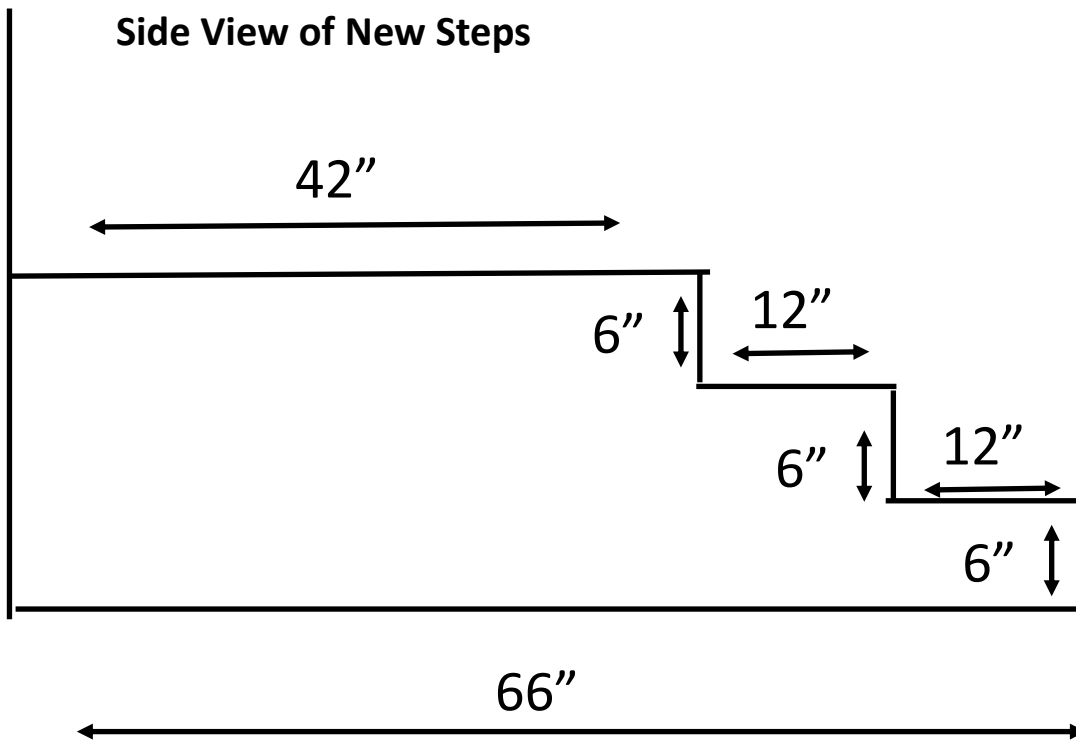
309—A-019-001

Address: 1761 Forest Ave

Applicant Name: Dave Morin 1761 Forest Ave Portland, ME 04103

Telephone 207-899-4381 / 207-415-2074

Email: damorinme@live.com



Similar to This Photo from
StepGuys.com Big Boy
with Full railings

