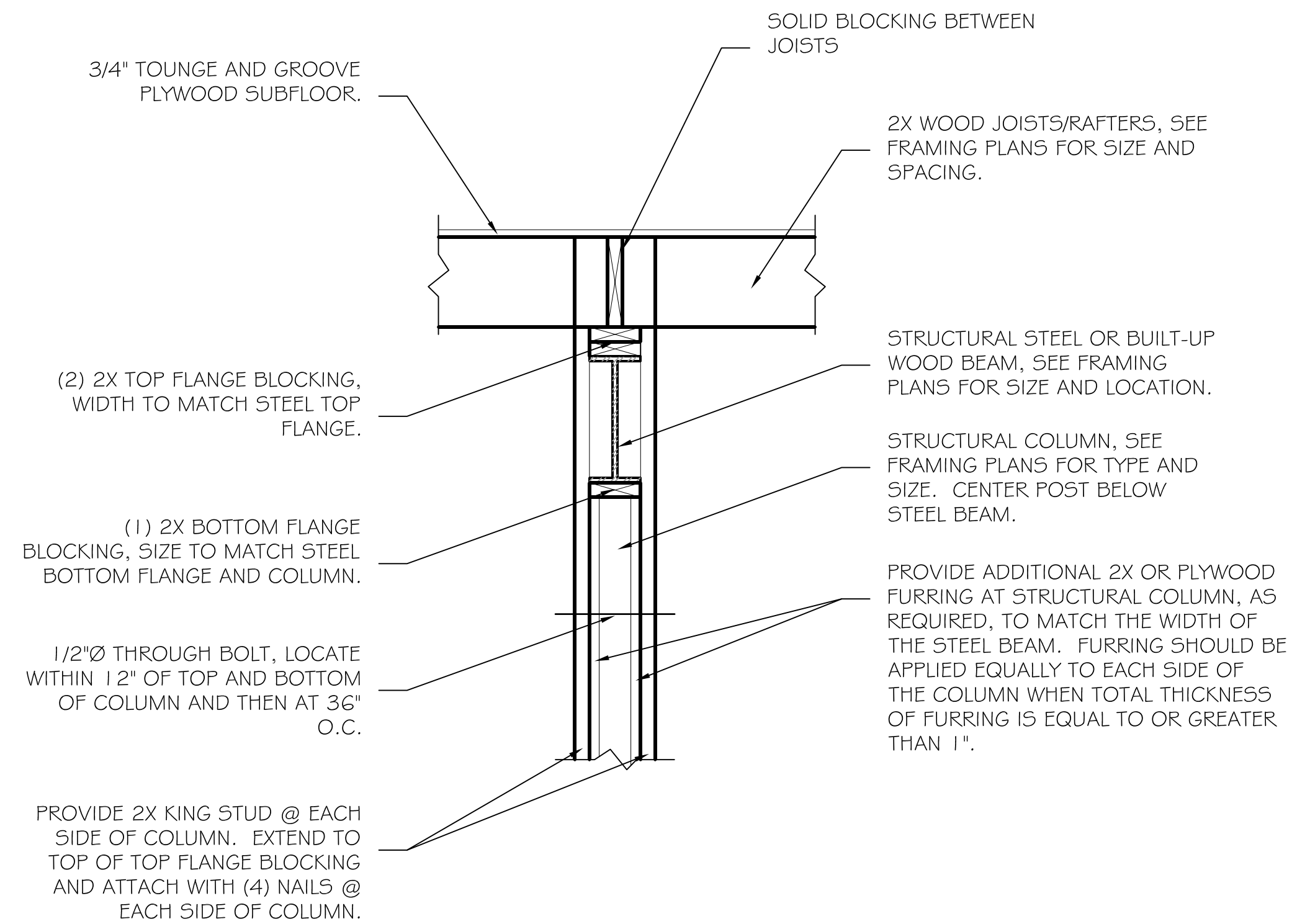
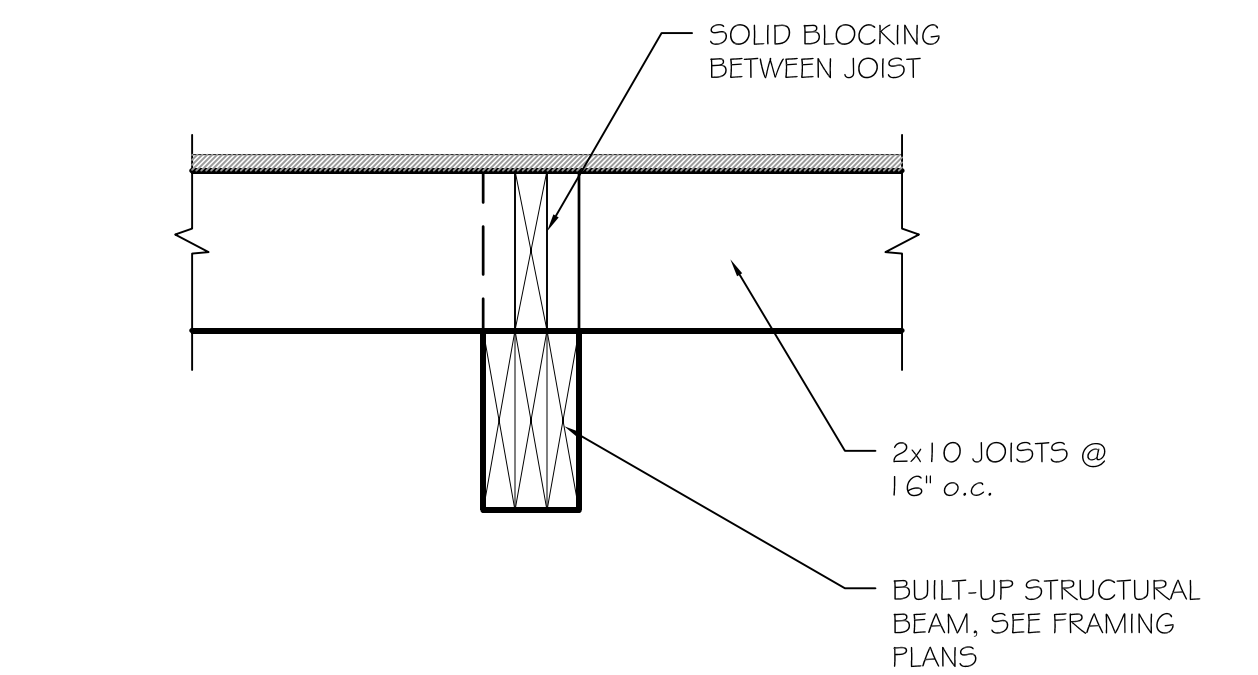


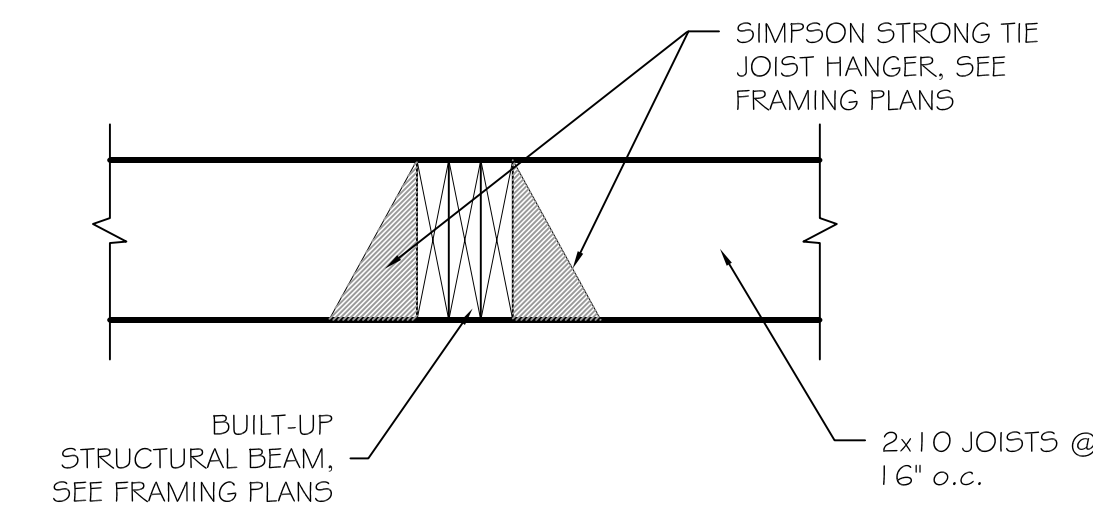
**B4** SECTION THROUGH BACK PORCH  
SCALE: NTS



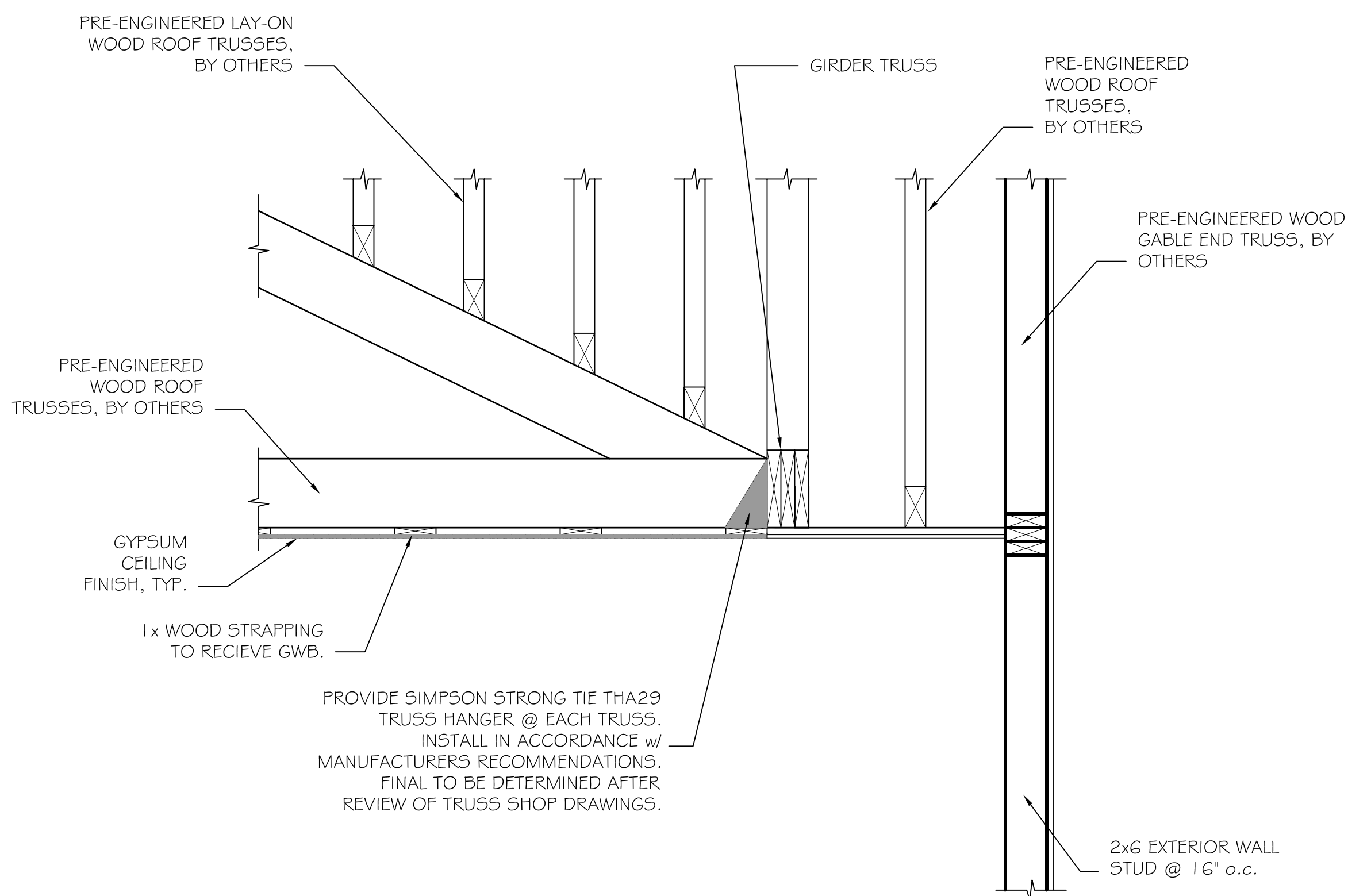
**B3** STL BEAM FRAMING @ COLUMNS  
SCALE: NTS



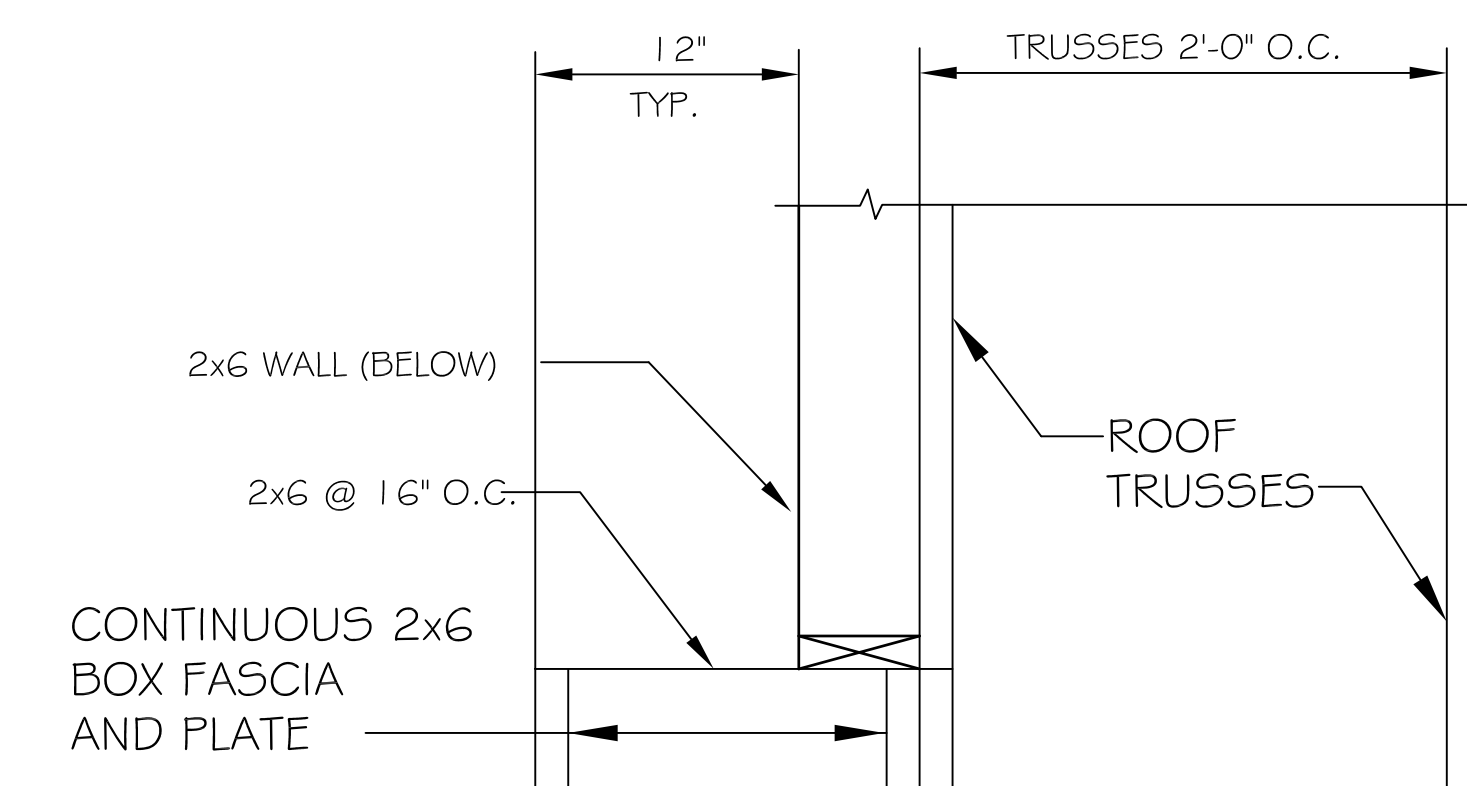
**B1** SECTION THROUGH OVER FRAMED BEAM  
SCALE: NTS



**B2** SECTION THROUGH FLUSH BEAM  
SCALE: NTS



**A3** SECTION THROUGH ROOF AT REAR  
SCALE: NTS



**A1** RAKE FRAMING SECTION  
SCALE: NTS

**ASSOCIATED DESIGN PARTNERS INC.**  
 80 Leighton Road  
 Falmouth, Maine 04105  
 Office: (207) 878-1751  
 Fax: (207) 878-1788  
 E-Mail: [adp@adpengineering.com](mailto:adp@adpengineering.com)

THIS DRAWING, DESIGN AND ELECTRONIC FILE ARE THE PROPERTY OF ASSOCIATED DESIGN PARTNERS, INC. THE REPRODUCTION, COPYING OR ANY OTHER USE OF THIS DOCUMENT WITHOUT WRITTEN CONSENT IS PROHIBITED.

PROJECT: **JARITA COURT CONDO**  
**LANE AVENUE, PORTLAND**  
 FOR: LOU WOOD  
 SHEET TITLE: **FRAMING DETAILS**  
**ISSUED FOR CONSTRUCTION**

REVISIONS	DESCRIPTION	DATE
No.	BY	
1		
2		
3		
4		

DATE : 01/04/05  
 SCALE : AS NOTED  
 DESIGN BY: JAT  
 DRAWN BY: AL  
 FILE #: 02102.S301.DWG  
 PROJECT NUMBER:  
**02102**  
 SHEET NO:  
**S401**