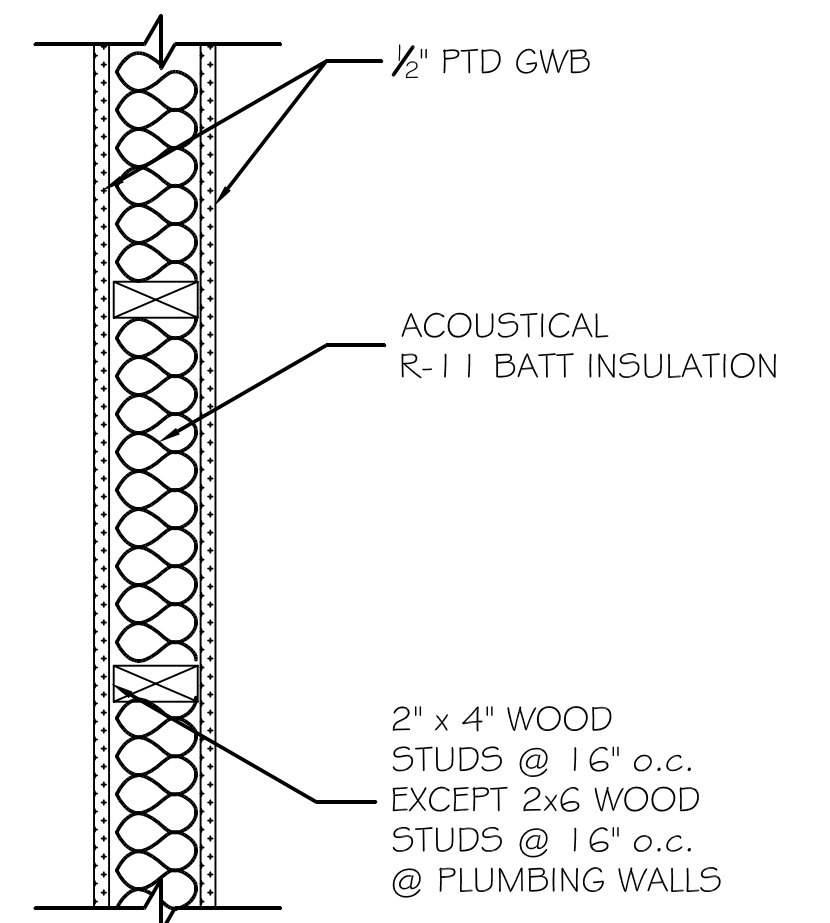
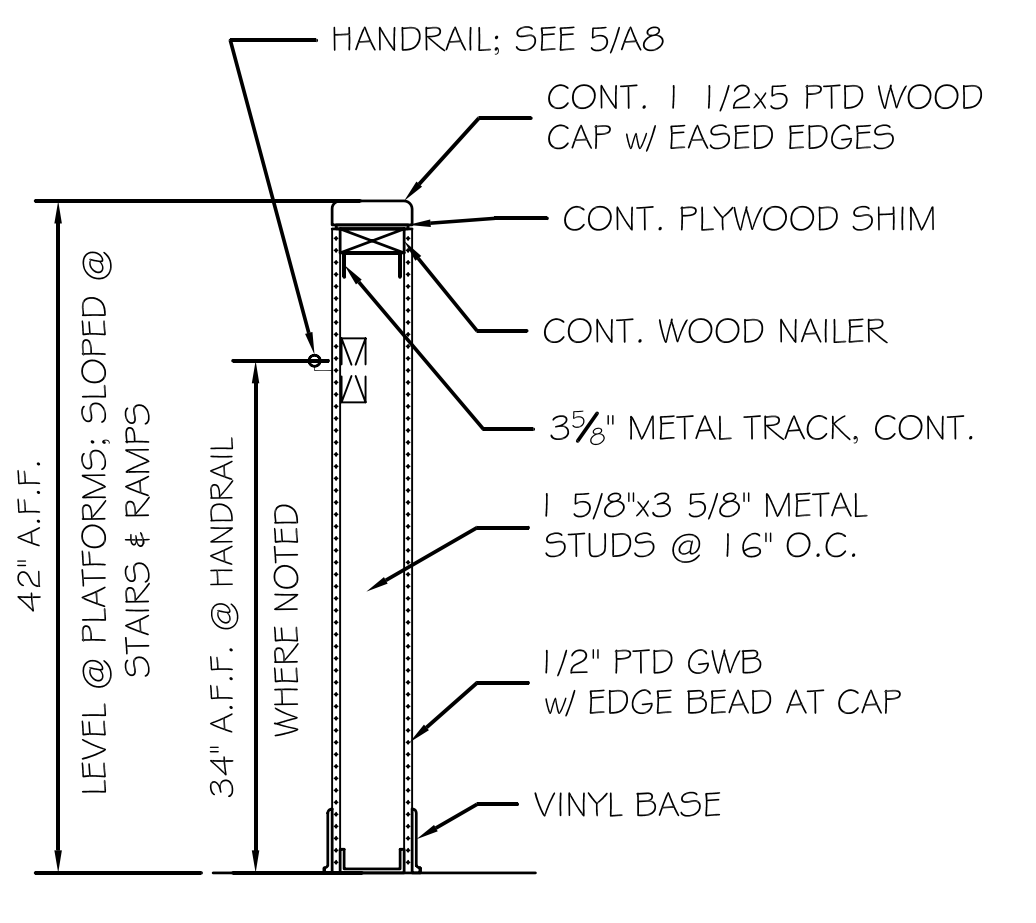


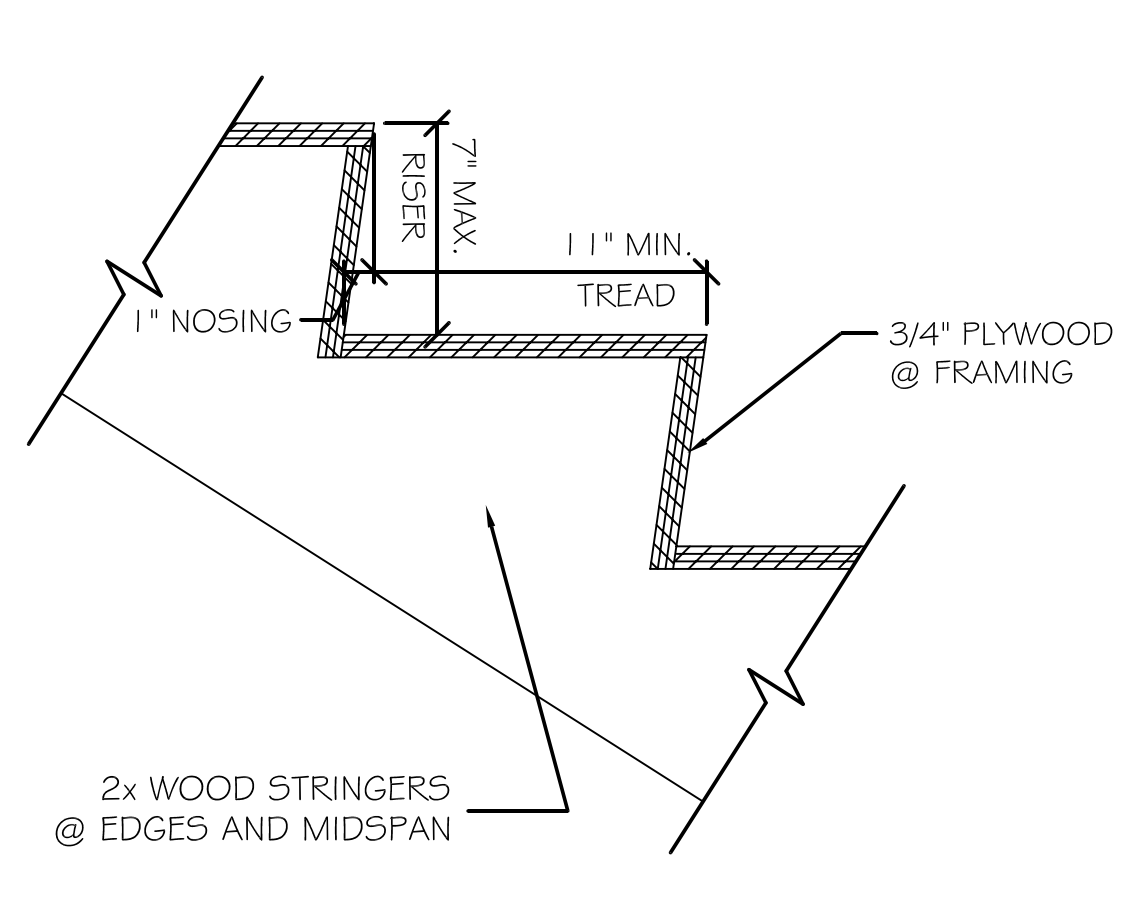
1 RATED INTERIOR PARTITION PLAN VIEW 1/2" = 1'-0"



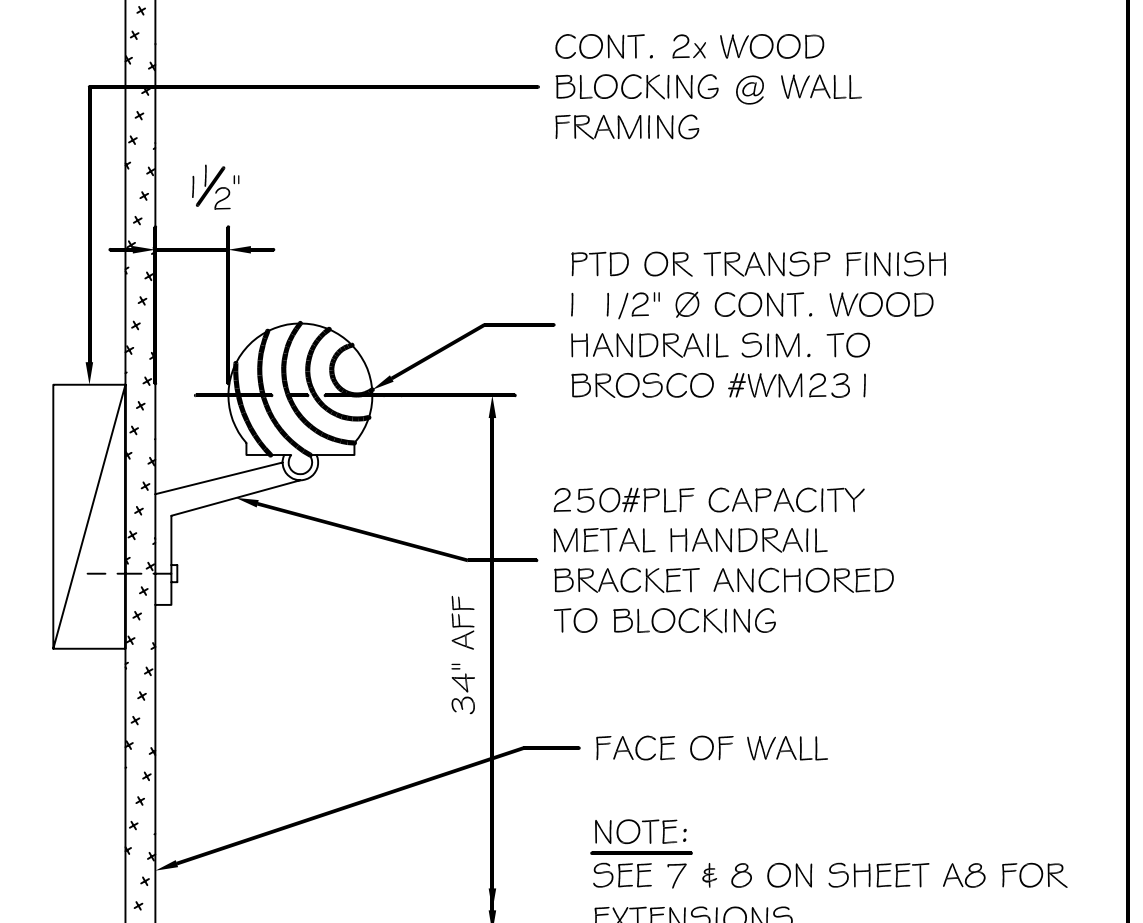
2 NON-RATED INT PARTITION PLAN VIEW 1/2" = 1'-0"



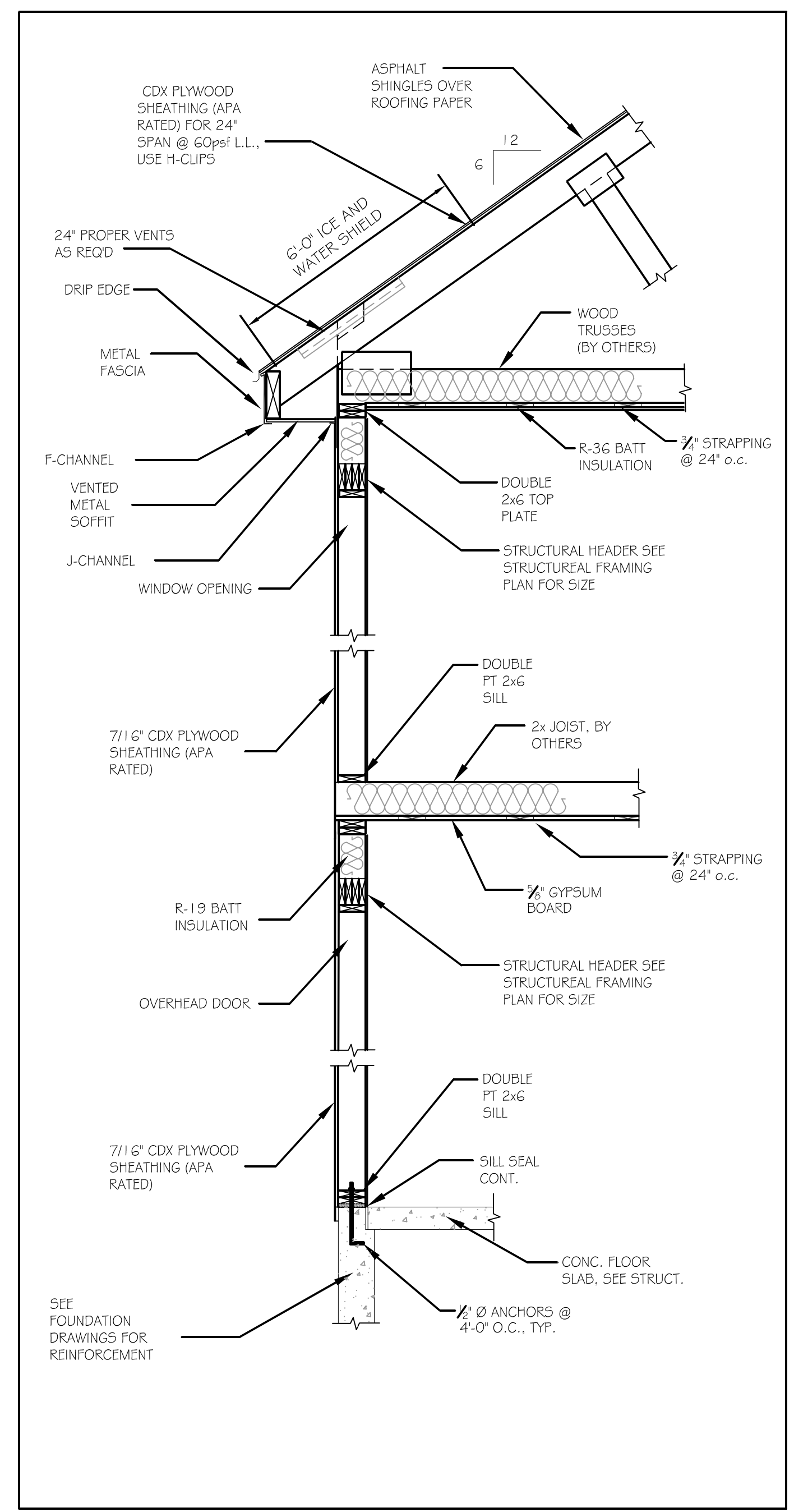
3 INTERIOR PARTITION 1" = 1'-0"



4 TYPICAL STAIR TREAD/RISER N.T.S.



5 HANDRAIL @ INTERIOR PARTITION N.T.S.



6 WALL SECTION @ GARAGE N.T.S.

DESIGNED AND BUILT BY:
SHARP HOMES, INC.

120 EXCHANGE STREET
 Portland, Maine 04101
 Office: (207) 874-6959
 Fax: (207) 874-6988

PROJECT: **JARITA COURT CONDO**
LANE AVE. PORTLAND, ME 04101

SHEET TITLE: **ARCHITECTURAL DETAILS**

REVISIONS	DESCRIPTION	DATE
No. 1		
No. 2		
No. 3		
No. 4		

DATE : 01/04/05
 SCALE : AS NOTED
 FILE #: 02102-A401.DWG
 PROJECT NUMBER:
02102
 SHEET NO:
A401