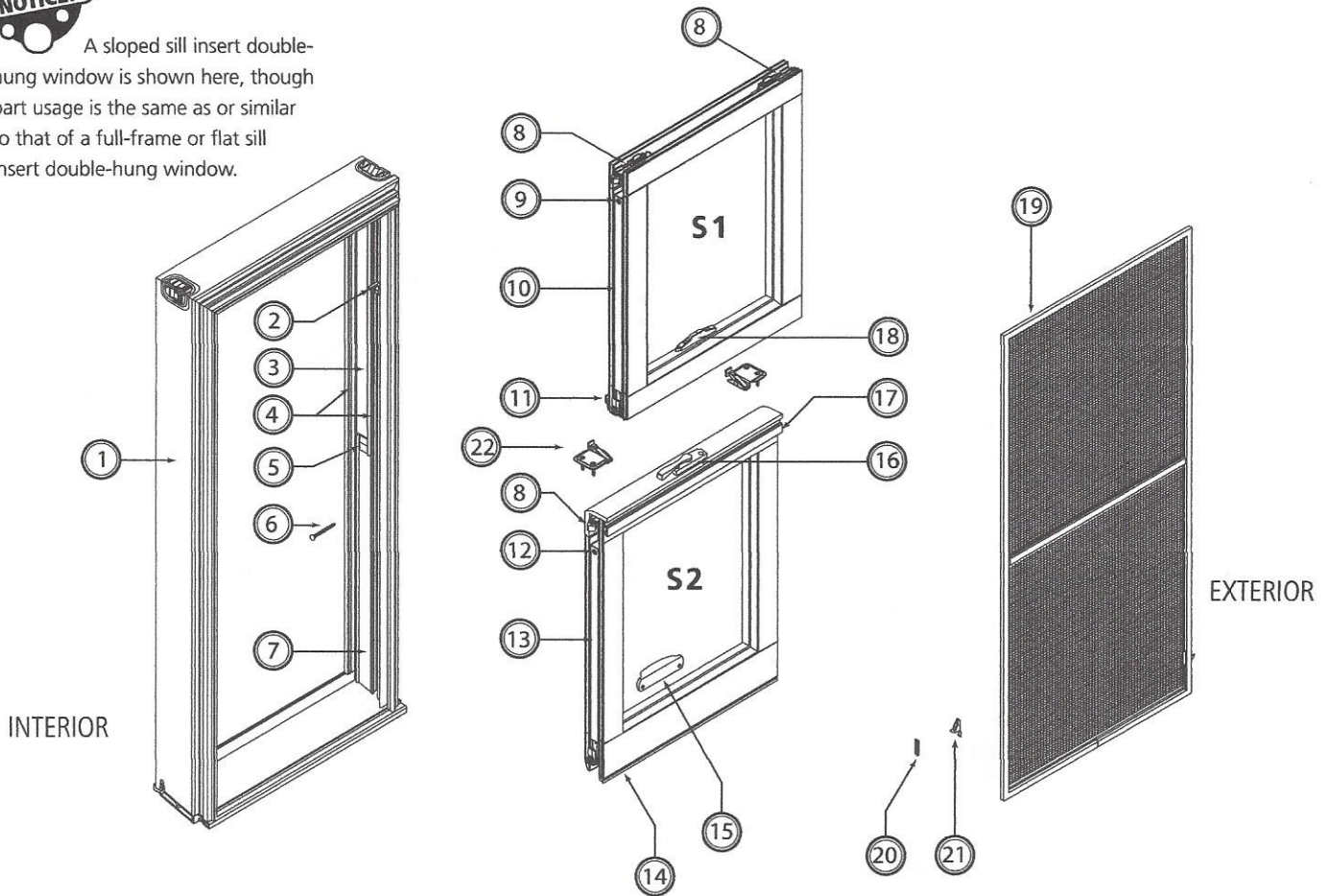


EXPLODED VIEW
DOUBLE-HUNG WINDOW



A sloped sill insert double-hung window is shown here, though part usage is the same as or similar to that of a full-frame or flat sill insert double-hung window.



DOUBLE-HUNG COMPONENTS

- | | | |
|--|--|--|
| 1. Frame (insert) | 8. Tilt latch | 16. Sash lock |
| 2. Wash assist | 9. Upper balance screw | 17. Interior sash interlock (lower sash) |
| 3. Side jamb liner weatherstrip (upper) | 10. Balance (upper sash) | 18. Sash keeper |
| 4. Side jamb liner (interior and exterior sash tracks) | 11. Exterior sash interlock (upper sash) | 19. Insect screen |
| 5. Side cover check rail weatherstrip | 12. Lower balance screw | 20. Universal insect screen latch retainer |
| 6. Balance end clip screw | 13. Balance (lower sash) | 21. Insect screen latch |
| 7. Side jamb liner weatherstrip (lower) with integrated fin pile | 14. Bottom rail weatherstrip | 22. Child safety opening control device (optional) |
| | 15. Sash lift (optional) | |