

1/4" DEEP GALVANIZED  
JOINT TREATMENT  
AND TRAIL

HP 8" X 8" X 1/4"  
POSTHOLE BARS

CONCRETE JOINT  
FINISH REMOVABLE

DISCONTINUE EVERY  
OTHER LINE OF  
OTHER LINE OF

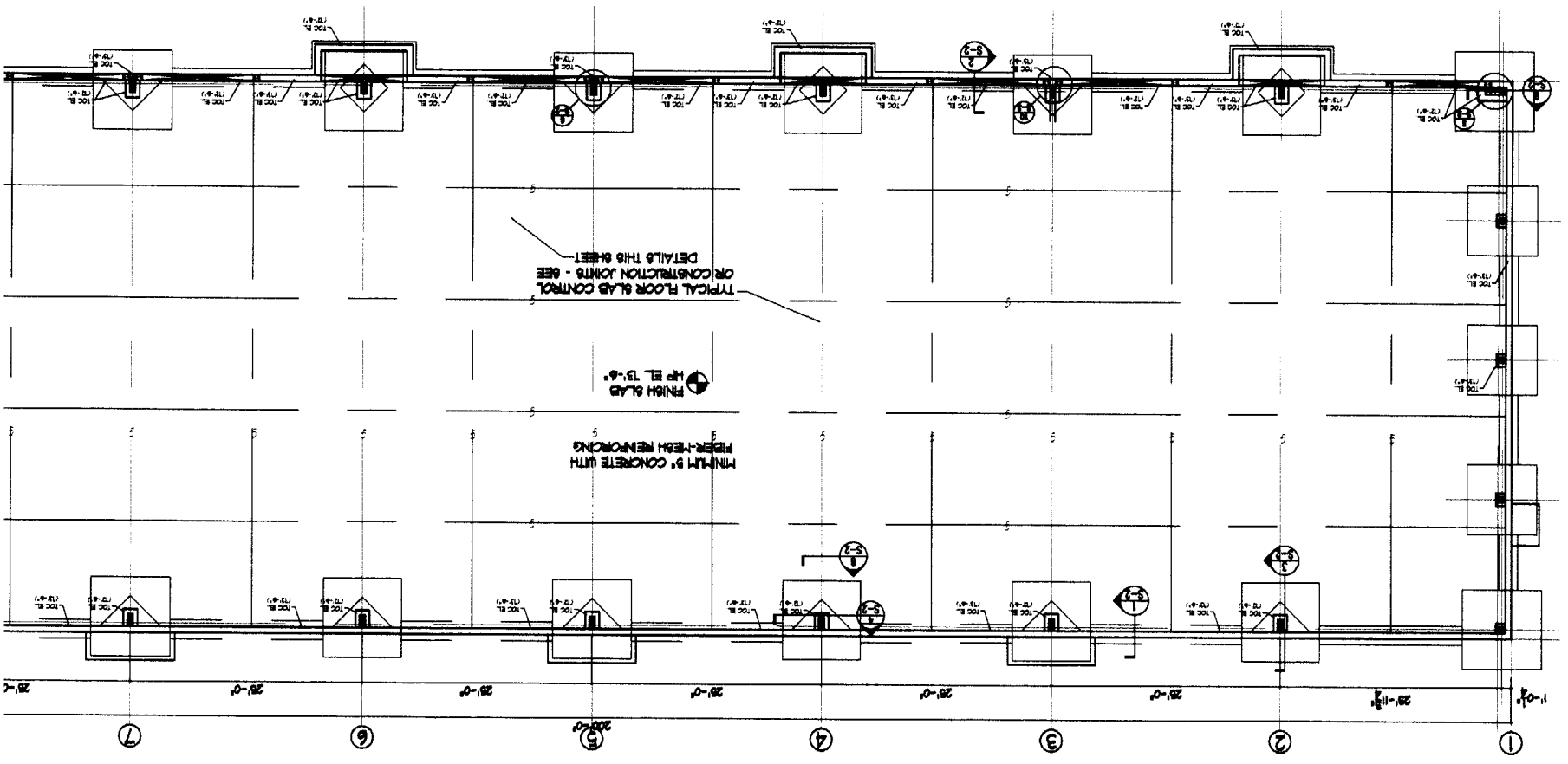
NOTE:  
TYPICAL DETAILS  
BOTH SIDES OF  
WALL

FOUNDATION PLAN  
SCALE: 1/8" = 1'-0"



NOTE:

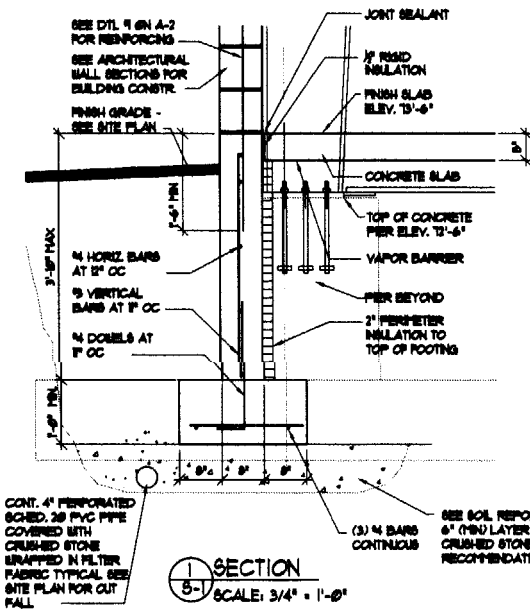
CONTRACTOR TO OVER EXCAVATE FOOTINGS SUB GRADE  
BY A MIN OF 6" WITH 8" X 8" X 1/4" CRUSHED STONE OVERLAY AND FILL  
GEOTEXTILE FILTER FABRIC. SEE SOIL REPORT.



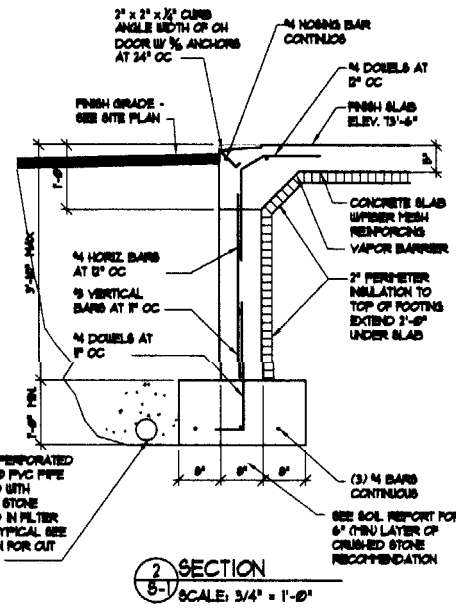
MINIMUM 9" CONCRETE WITH  
FIBER-FRESH REINFORCING

FINISH SLAB  
HP EL. 13'-6"

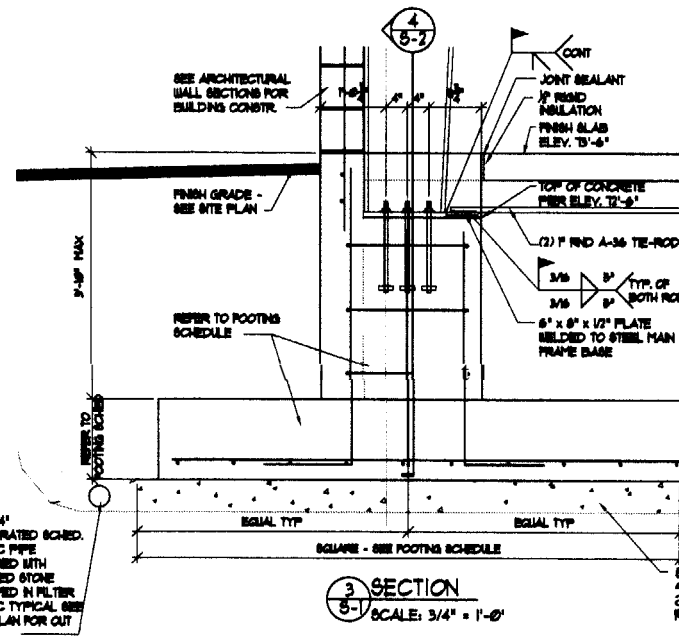
TYPICAL FLOOR SLAB CONTROL  
OR CONSTRUCTION JOINTS - SEE  
DETAILS THIS SHEET



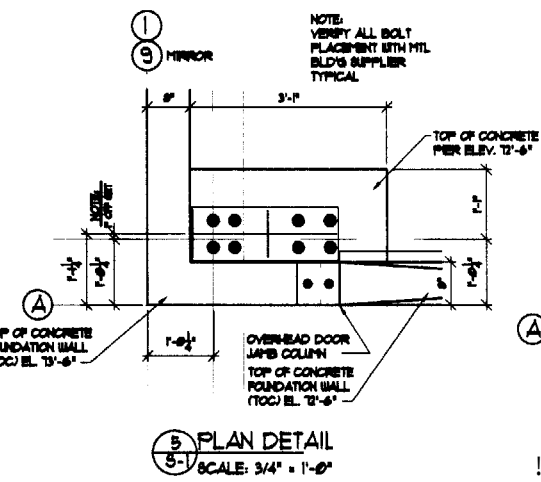
SECTION 1-1  
SCALE: 3/4" = 1'-0"



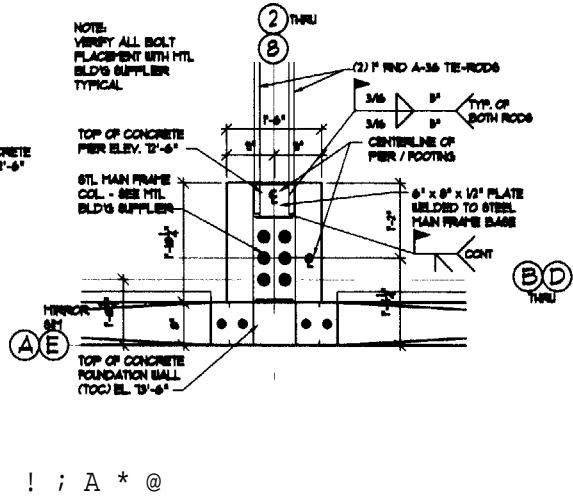
SECTION 2-2  
SCALE: 3/4" = 1'-0"



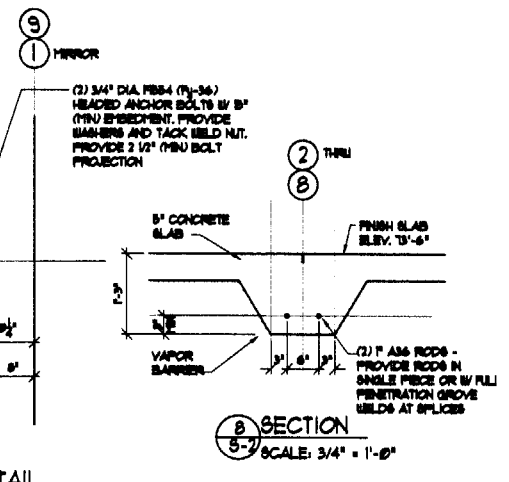
SECTION 3-3  
SCALE: 3/4" = 1'-0"



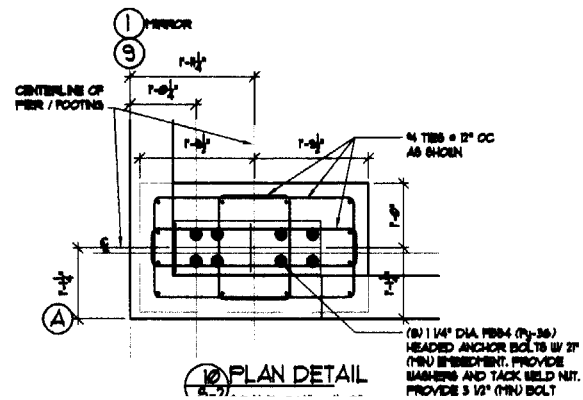
PLAN DETAIL 5-1  
SCALE: 3/4" = 1'-0"



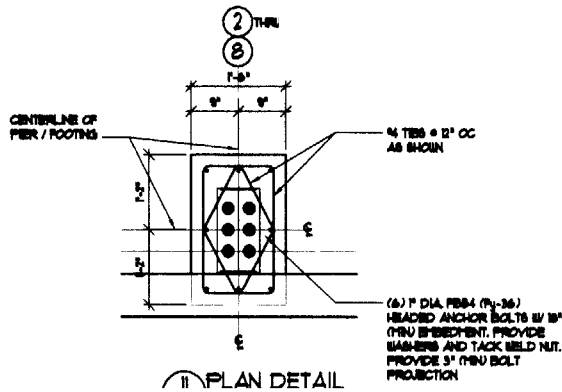
PLAN DETAIL 7-1  
SCALE: 3/4" = 1'-0"



SECTION 8-8  
SCALE: 3/4" = 1'-0"



PLAN DETAIL 9-1  
SCALE: 3/4" = 1'-0"

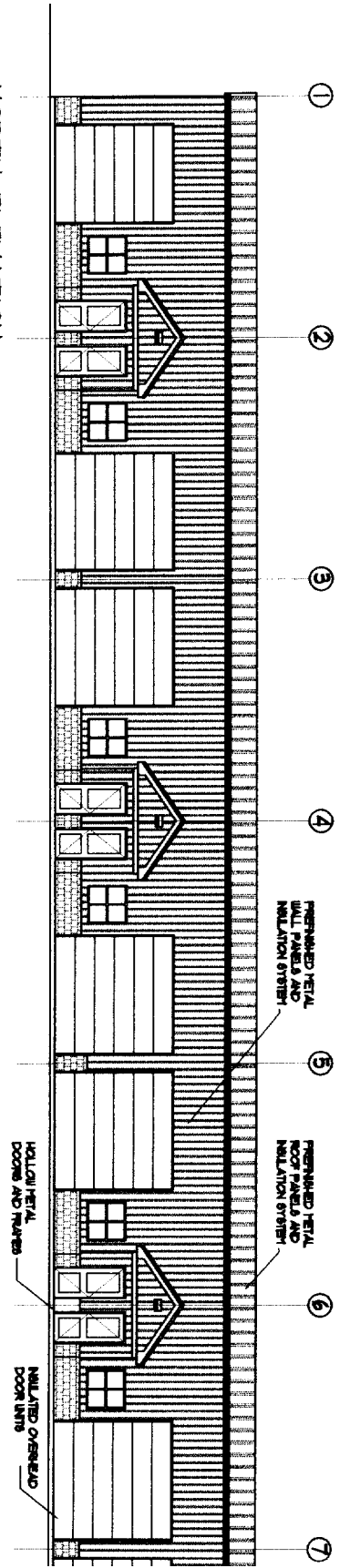


PLAN DETAIL 10-1  
SCALE: 3/4" = 1'-0"

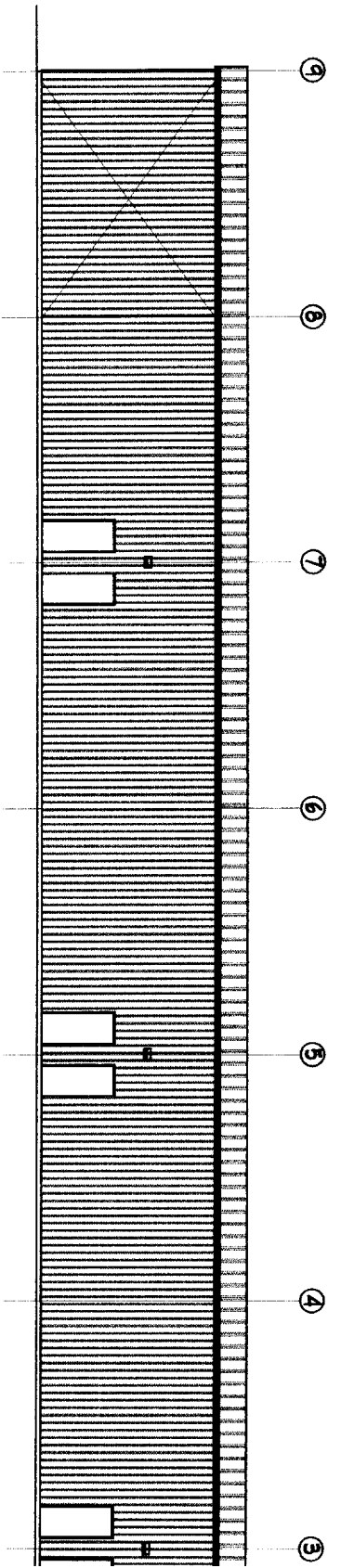
! ; A \* @

SEE ARCHITECTURAL WALL SECTIONS FOR BUILDING CONSTR.

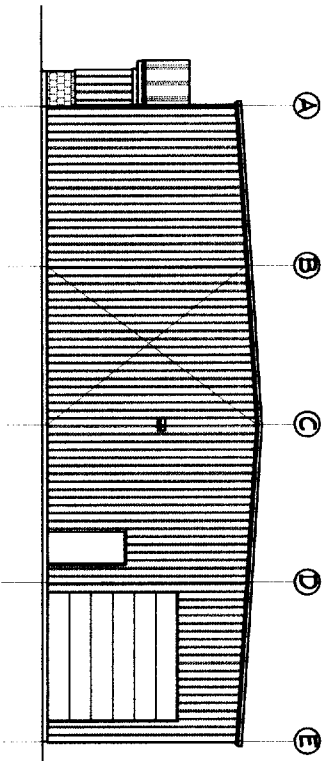




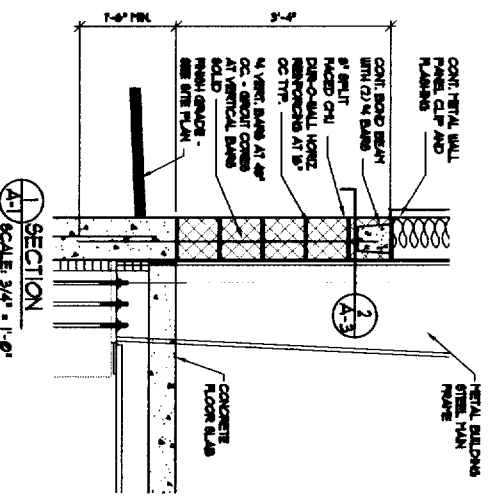
NORTH ELEVATION



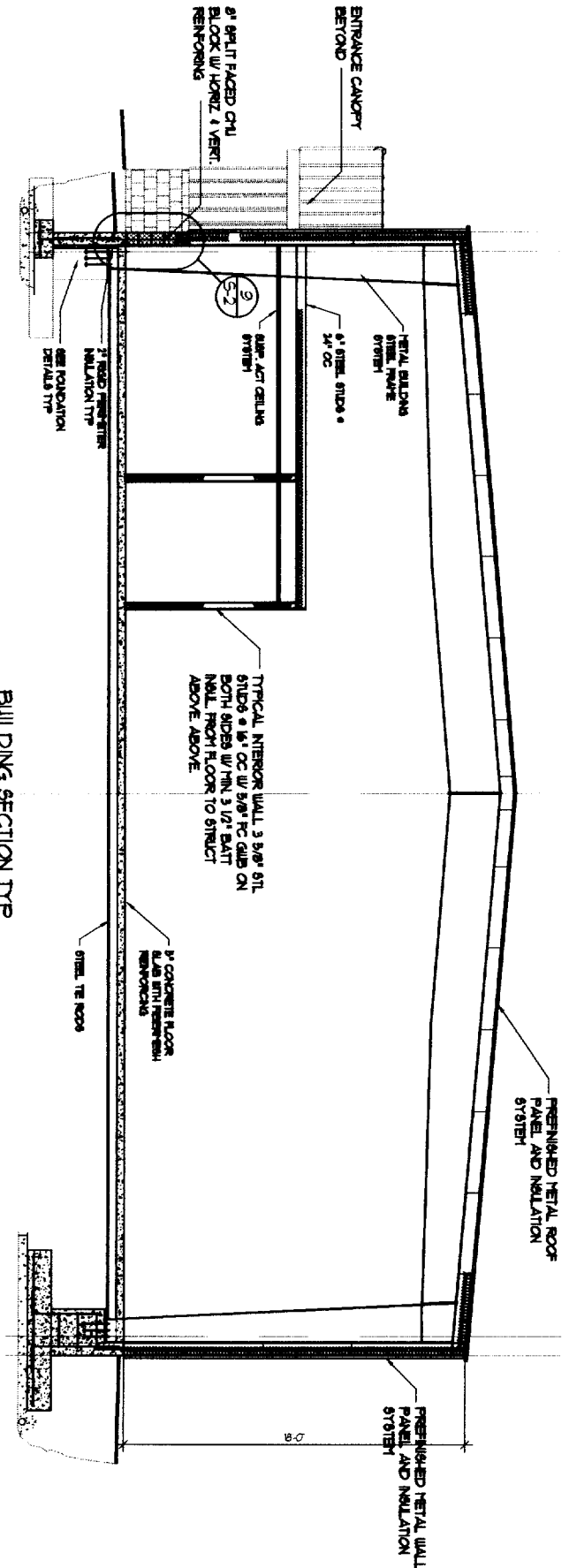
SOUTH ELEVATION



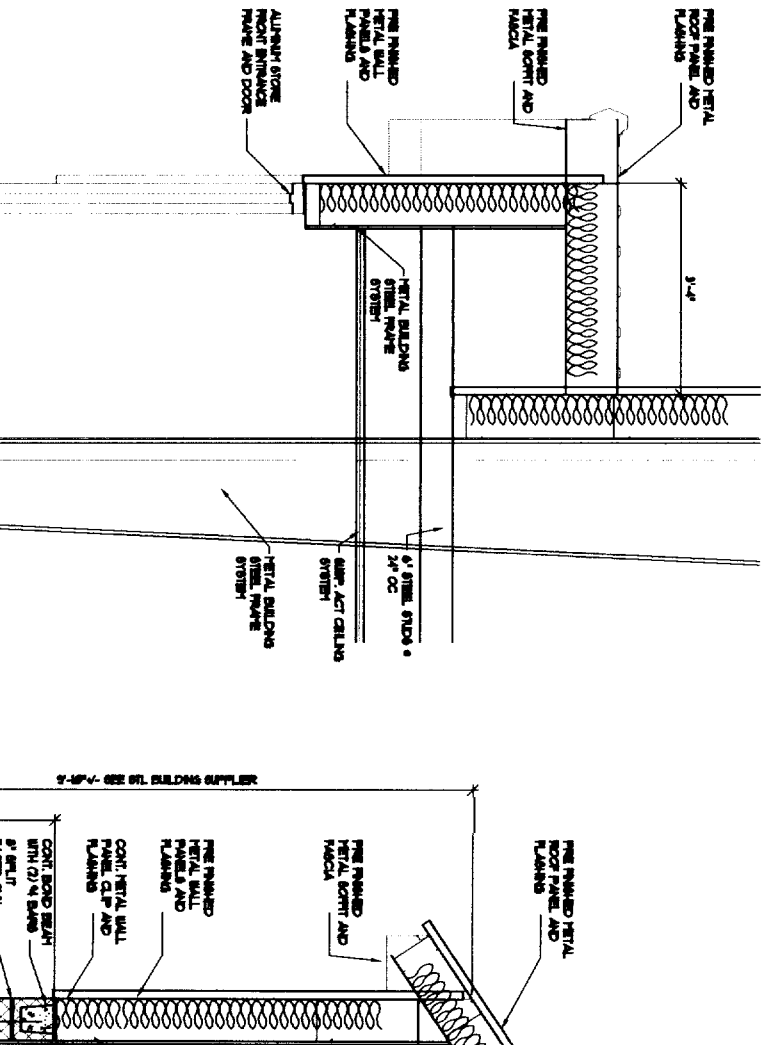
WEST ELEVATION



SECTION A-A  
SCALE 3/4" = 1'-0"



BUILDING SECTION TYP.  
SCALE: 1/4" = 1'-0"



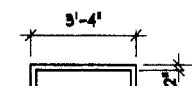
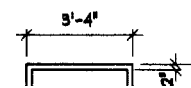
© 2010 METAL BUILDING SUPPLIER

## DOOR SCHEDULE

DR NO	DOORS						FRAMES					REMARKS
	DOOR SIZE	THK	TYPE	MAT.	GA.	GLAZING	TYPE	MAT.	GA.	GLAZING	HARDWARE	
1	3'-0" x 7'-0"	1 3/4"	B	HM			G	HM			TYPE A	METAL BLDG SUPPLIER
2	3'-0" x 7'-0"	1 3/4"	B	HM			G	HM			TYPE A	METAL BLDG SUPPLIER
3	3'-0" x 7'-0"	1 3/4"	B	HM			G	HM			TYPE A	METAL BLDG SUPPLIER
4	3'-0" x 7'-0"	1 3/4"	B	HM			G	HM			TYPE A	METAL BLDG SUPPLIER
5	3'-0" x 7'-0"	1 3/4"	B	HM			G	HM			TYPE A	METAL BLDG SUPPLIER
6	3'-0" x 7'-0"	1 3/4"	B	HM			G	HM			TYPE A	METAL BLDG SUPPLIER
7	3'-0" x 7'-0"	1 3/4"	B	HM			G	HM			TYPE A	METAL BLDG SUPPLIER
8	12'-0" x 12'-0"			STL				STL				
9	3'-0" x 7'-0"	1 3/4"	B	HM			G	HM			TYPE A	METAL BLDG SUPPLIER
10	3'-0" x 7'-0"	1 3/4"	C	HD			G	HM			TYPE D	
11	3'-0" x 7'-0"	1 3/4"	C	HD			G	HM			TYPE E	
12	3'-0" x 7'-0"	1 3/4"	A	ALUM		TEMP. INSUL.	F	ALUM			TYPE A	
13	3'-0" x 7'-0"	1 3/4"	A	ALUM		TEMP. INSUL.	F	ALUM			TYPE A	
14	3'-0" x 7'-0"	1 3/4"	C	HD			G	HM			TYPE E	
15	3'-0" x 7'-0"	1 3/4"	C	HD			G	HM			TYPE D	
16	12'-0" x 12'-0"			STL				STL				
17	12'-0" x 12'-0"			STL				STL				
18	3'-0" x 7'-0"	1 3/4"	C	HD			G	HM			TYPE D	
19	3'-0" x 7'-0"	1 3/4"	C	HD			G	HM			TYPE E	
20	3'-0" x 7'-0"	1 3/4"	A	ALUM		TEMP. INSUL.	F	ALUM			TYPE A	
21	3'-0" x 7'-0"	1 3/4"	A	ALUM		TEMP. INSUL.	F	ALUM			TYPE A	
22	3'-0" x 7'-0"	1 3/4"	C	HD			G	HM			TYPE E	
23	3'-0" x 7'-0"	1 3/4"	C	HD			G	HM			TYPE D	
24	12'-0" x 12'-0"			STL				STL				
25	12'-0" x 12'-0"			STL				STL				
26	3'-0" x 7'-0"	1 3/4"	C	HD			G	HM			TYPE D	
27	3'-0" x 7'-0"	1 3/4"	C	HD			G	HM			TYPE E	
28	3'-0" x 7'-0"	1 3/4"	A	ALUM		TEMP. INSUL.	F	ALUM			TYPE A	
29	3'-0" x 7'-0"	1 3/4"	A	ALUM		TEMP. INSUL.	F	ALUM			TYPE A	
30	3'-0" x 7'-0"	1 3/4"	C	HD			G	HM			TYPE E	
31	3'-0" x 7'-0"	1 3/4"	C	HD			G	HM			TYPE D	
32	12'-0" x 12'-0"			STL				STL				
33	12'-0" x 12'-0"			STL				STL				
34	3'-0" x 7'-0"	1 3/4"	C	HD			G	HM			TYPE D	
35	3'-0" x 7'-0"	1 3/4"	C	HD			G	HM			TYPE E	
36	3'-0" x 7'-0"	1 3/4"	A	ALUM		TEMP. INSUL.	F	ALUM			TYPE A	
37	3'-0" x 7'-0"	1 3/4"	A	ALUM		TEMP. INSUL.	F	ALUM			TYPE A	
38	3'-0" x 7'-0"	1 3/4"	C	HD			G	HM			TYPE E	
39	3'-0" x 7'-0"	1 3/4"	C	HD			G	HM			TYPE D	
40	12'-0" x 12'-0"			STL				STL				

## TYPICAL ROOM

RM NO	RM NAME	FLOOR	BASE	WAINSCOT
1	ENTRY	CONC.	RUBBER	
2	OFFICE	CONC.	RUBBER	
3	HC TOILET	VCT	RUBBER	
4	OPEN AREA	CONC.	-----	



---

B & L BUSINESS PARK  
BUILDING "C" 60' x 200'  
585 RIVERSIDE STREET  
PORTLAND, MAINE