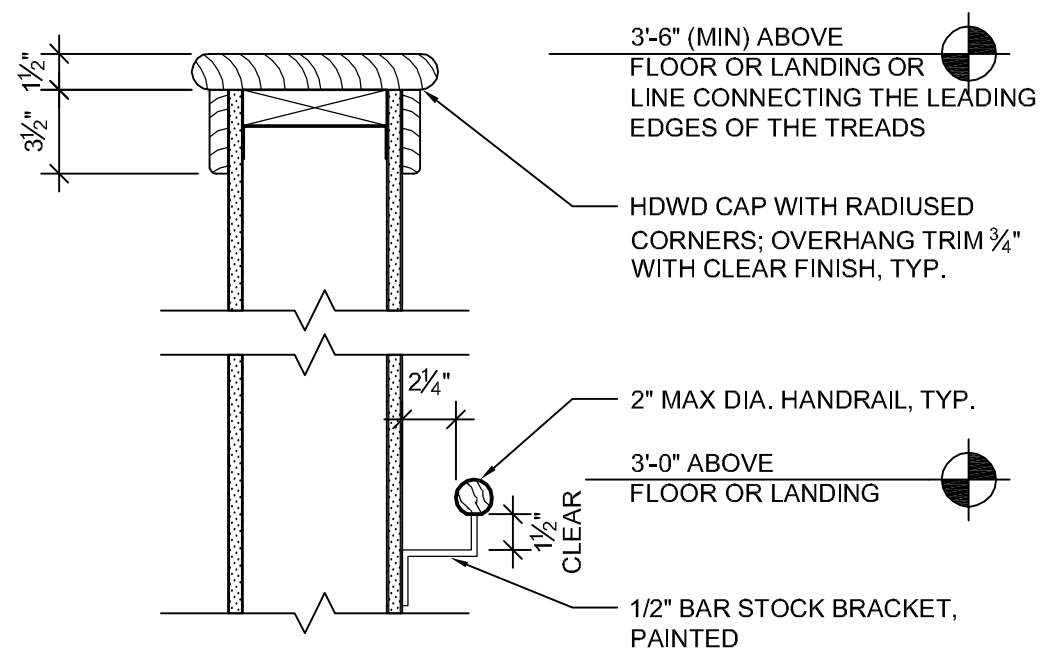
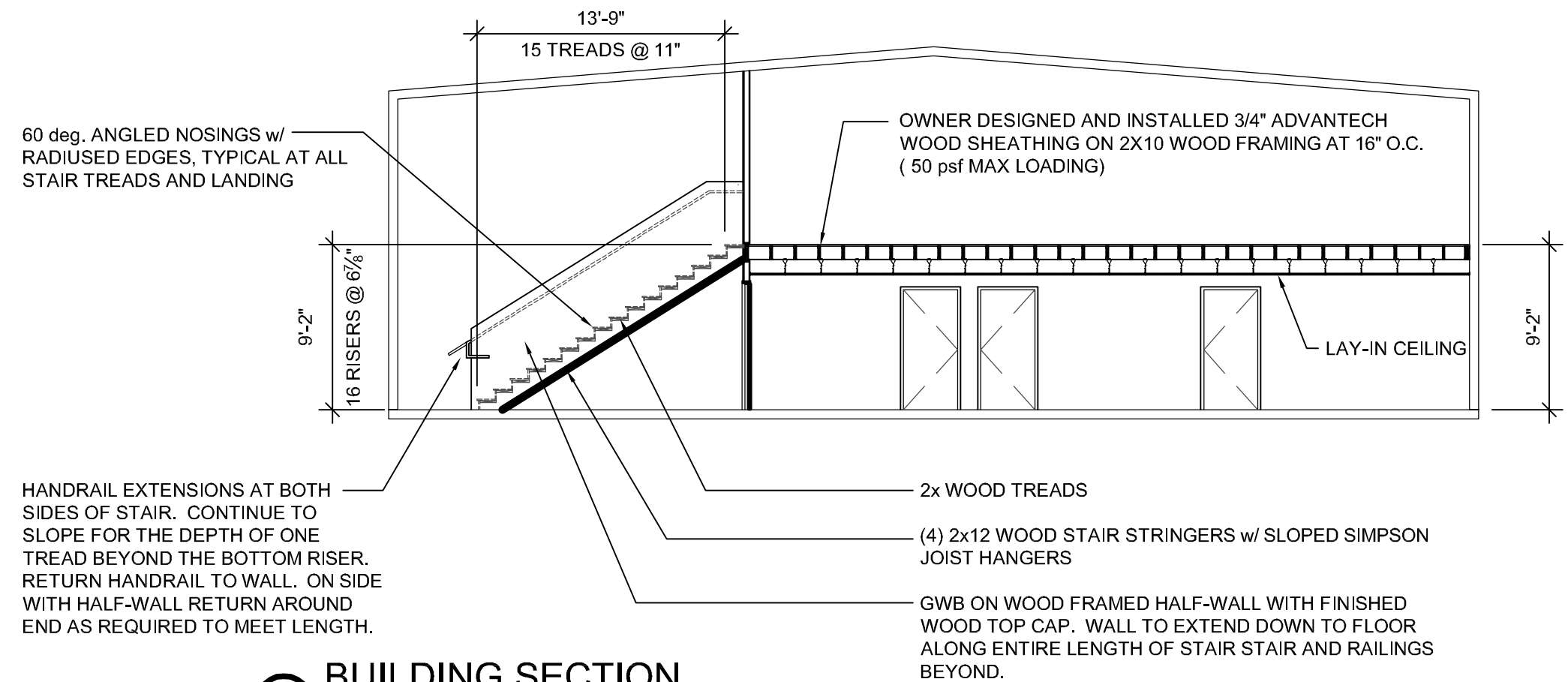


04-02-15



2 HALF WALL AND HANDRAIL DETAIL
1 1/2" = 1'-0"



1 BUILDING SECTION
1/8" = 1'-0"

GRAPHIC SCALE: 0" 1"	
WBRC ARCHITECTS · ENGINEERS <small>WWW.WBRC.COM SERVICE MARK 20-00-01 REGISTRATION MARK 20-00-01 TALLAHASSEE, FLORIDA 32310-0001</small>	
PROJECT: 585 RIVERSIDE - CARPENTERS UNION RENO	
SHEET TITLE: DETAILS	
SCALE:	AS NOTED
WBRC CAD FILE:	
PROJECT No.	4003.00
JOB CAP/DRAW:	/RAD
PM:	MEJ
CHECKED BY:	MEJ
DATE:	04-02-2015
SHEET No.	AE301