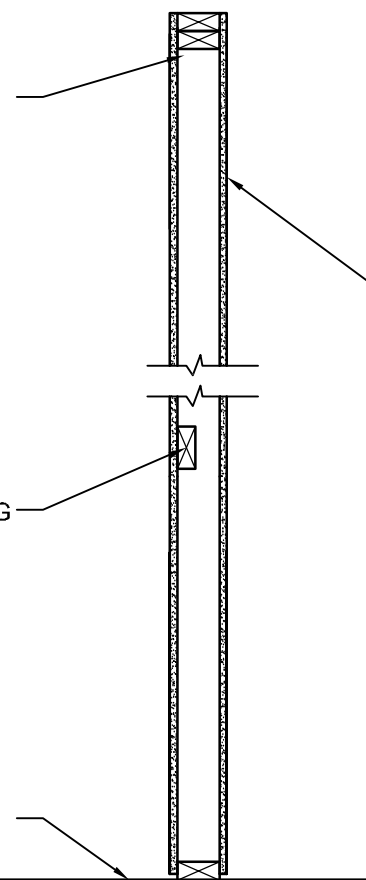


PROVIDE DOUBLE 2x4 TOP
PLATE AT TOP OF WALL
CONDITION



ONE LAYER OF 1/2" TYPE "X"
GWB ON EACH SIDE OF 2x4
WOOD STUDS @ 16" O.C.

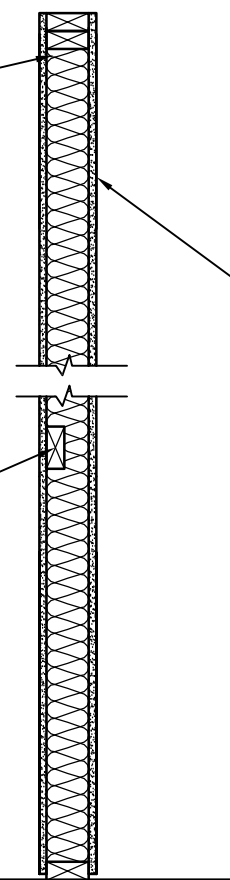
PROVIDE 2x4 WOOD BLOCKING
AS REQUIRED FOR CABINETS,
HANDRAILS, ETC.

SCHEDULED FLOOR FINISH

1 W1 - 2x4 WOOD STUD WALL

3/4" = 1'-0"

PROVIDE DOUBLE 2x4 TOP
PLATE AT TOP OF WALL
CONDITION



ONE LAYER OF 1/2" TYPE "X"
GWB ON EACH SIDE OF 2x4
WOOD STUDS @ 16" O.C.

PROVIDE 2x4 WOOD BLOCKING
AS REQUIRED FOR CABINETS,
HANDRAILS, ETC.

SCHEDULED FLOOR FINISH

2 W2 - 2x4 WOOD STUD WALL - SOUND INSULATION

3/4" = 1'-0"

(TYPICAL AT PERIMETER OF ALL
NEW OFFICE SPACES)



PROJECT:
**585 RIVERSIDE
- CARPENTERS
UNION RENO**

SHEET TITLE:
DETAILS

SCALE: 3/4" = 1'-0"

WBRC CAD FILE:

PROJECT No. 4003.00

JOB CAP/DRAW: /RAD

PM: MEJ

CHECKED BY: MEJ

DATE: 10-02-2014

SHEET No.

AE501