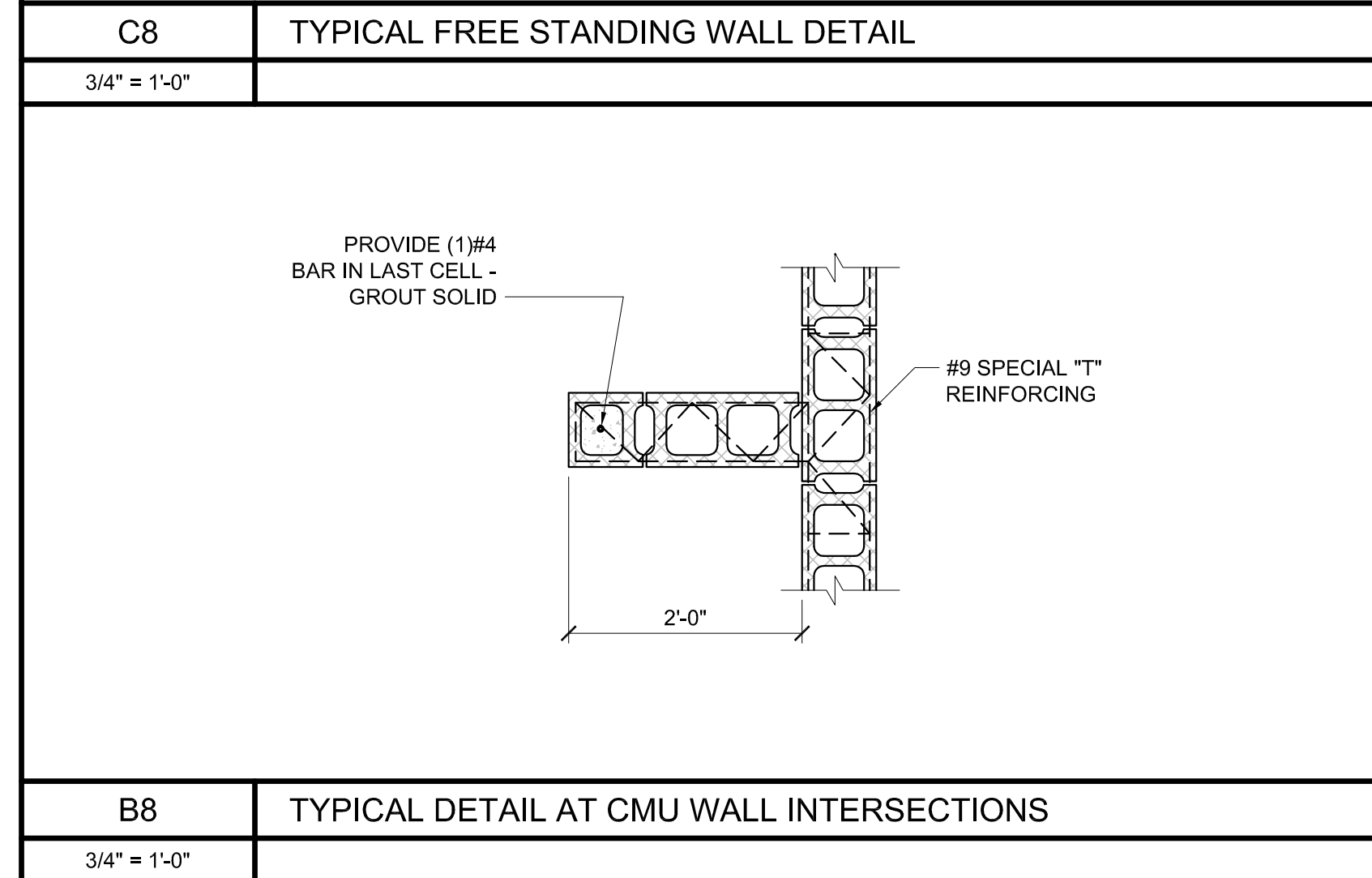
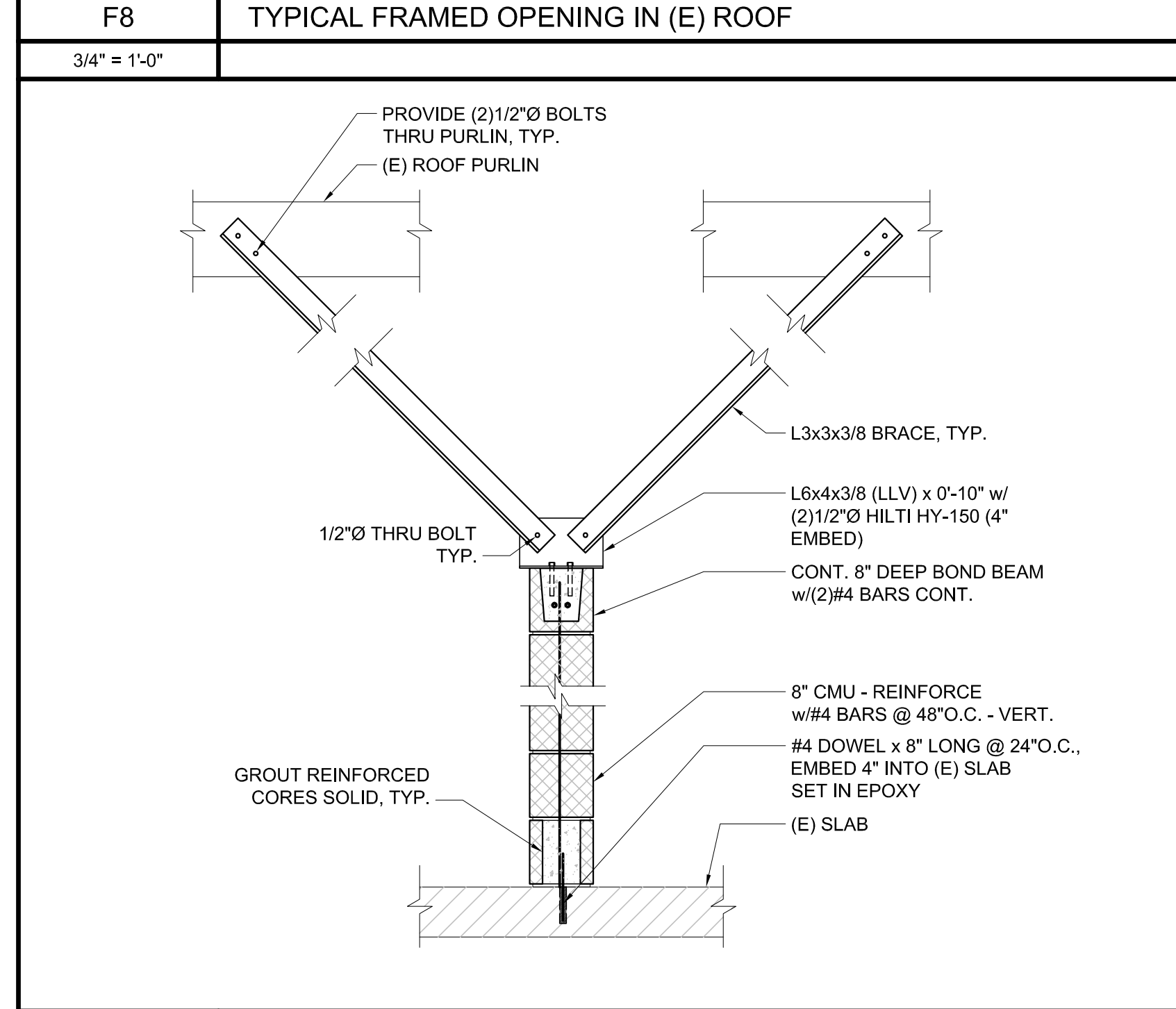
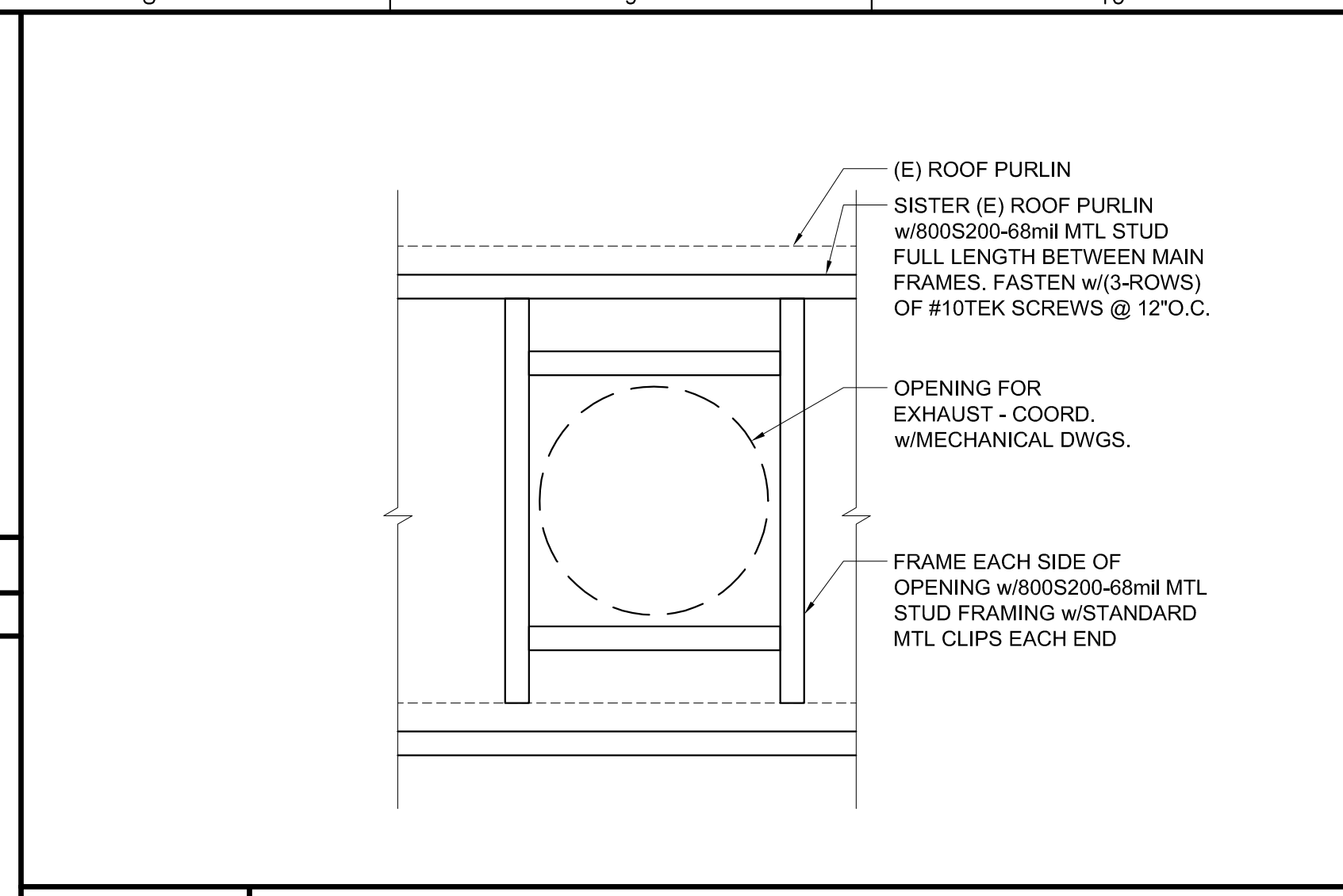
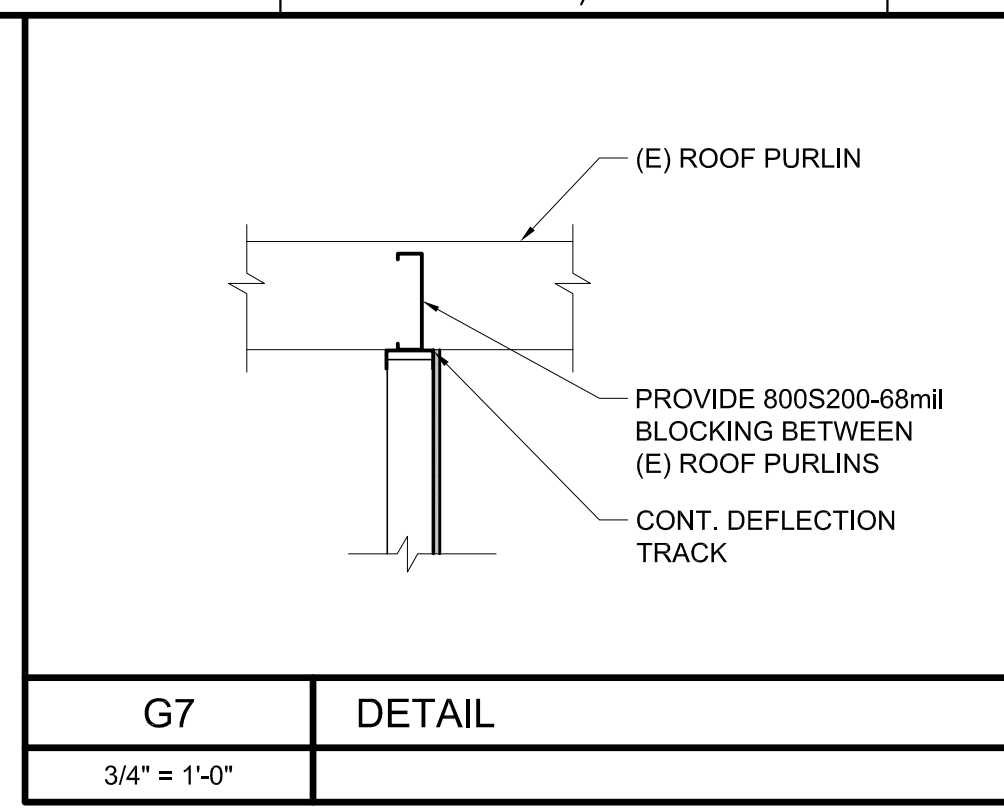
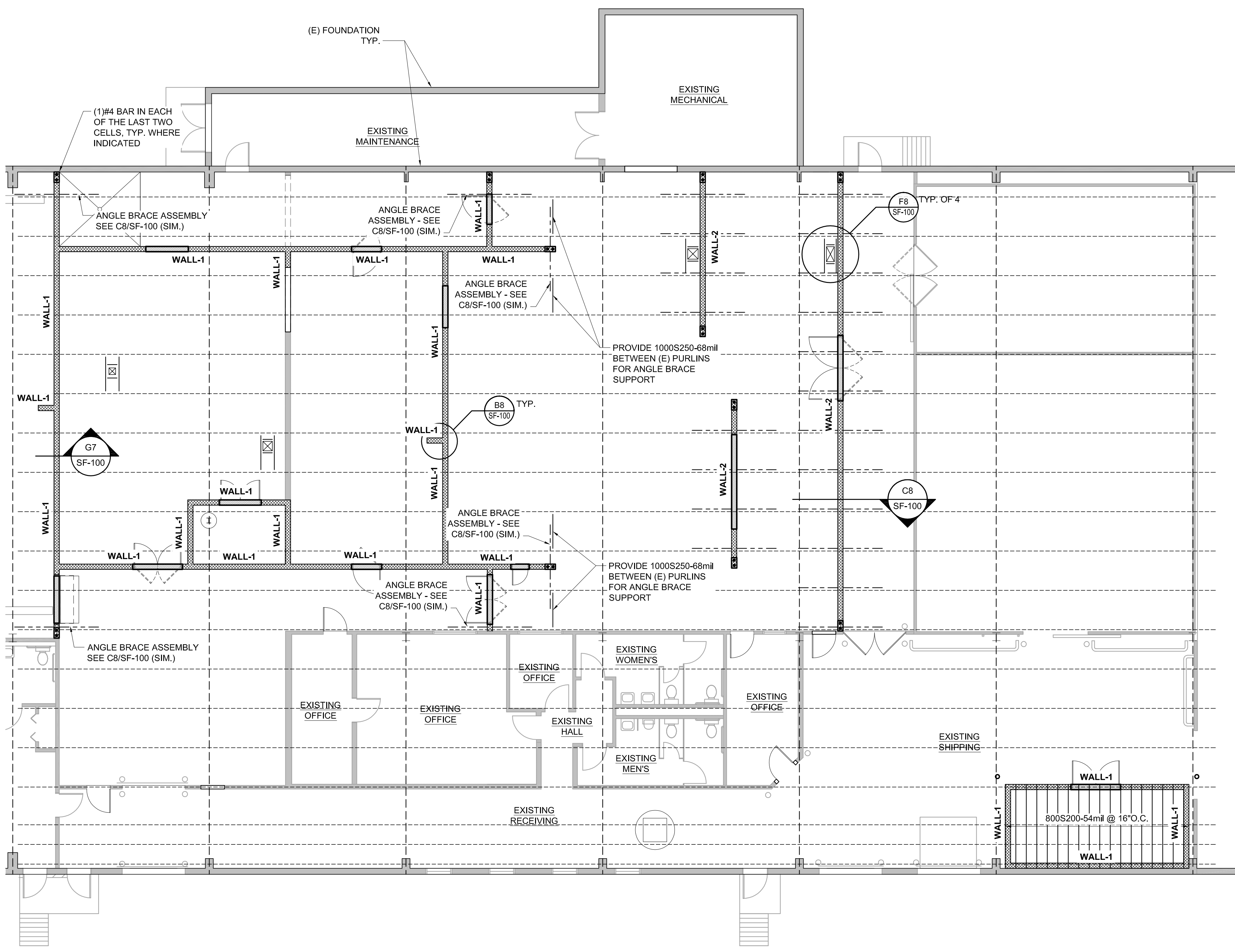


N:\Projects\2013\13001 - Portland Public Schools - Central Kitchen.dwg Mar 19, 2013 - 2:27pm

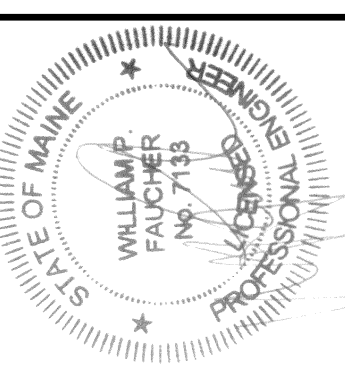
**WALL - 1:** CMU WALLS SHALL RECEIVE #9 HORIZONTAL REINFORCING @ 16"O.C. (VERTICAL SPACING). INTERSECTING WALLS SHALL RECEIVE SPECIAL "T", #9GA JOINT REINFORCING

**WALL - 2:** CMU WALLS SHALL RECEIVE VERTICAL REINFORCING PER DETAIL C8/SF-100



160 Veranda Street  
Portland, Maine 04103  
T: 207.221.2260  
F: 207.221.2266  
Web: www.allied-eng.com

**Allied Engineering**  
Structural Mechanical Electrical Commissioning



REVISIONS		DESCRIPTION
NUMBER	DATE	BY

Date: 03/20/2013  
Drawn By: PED  
Checked By: WPF  
Project Mgr: IAM  
Project No: 13001  
Cdw File: 13001S.dwg  
Graphic Scale: 0 1"

STRUCTURAL ~  
FRAMING PLAN AND DETAILS

CITY OF PORTLAND  
PORTLAND PUBLIC SCHOOLS - CENTRAL KITCHEN  
92 WALDRON WAY, PORTLAND, MAINE

**SF-100**

**A1** STRUCTURAL ~ SLAB PLAN  
1/8" = 1'-0"