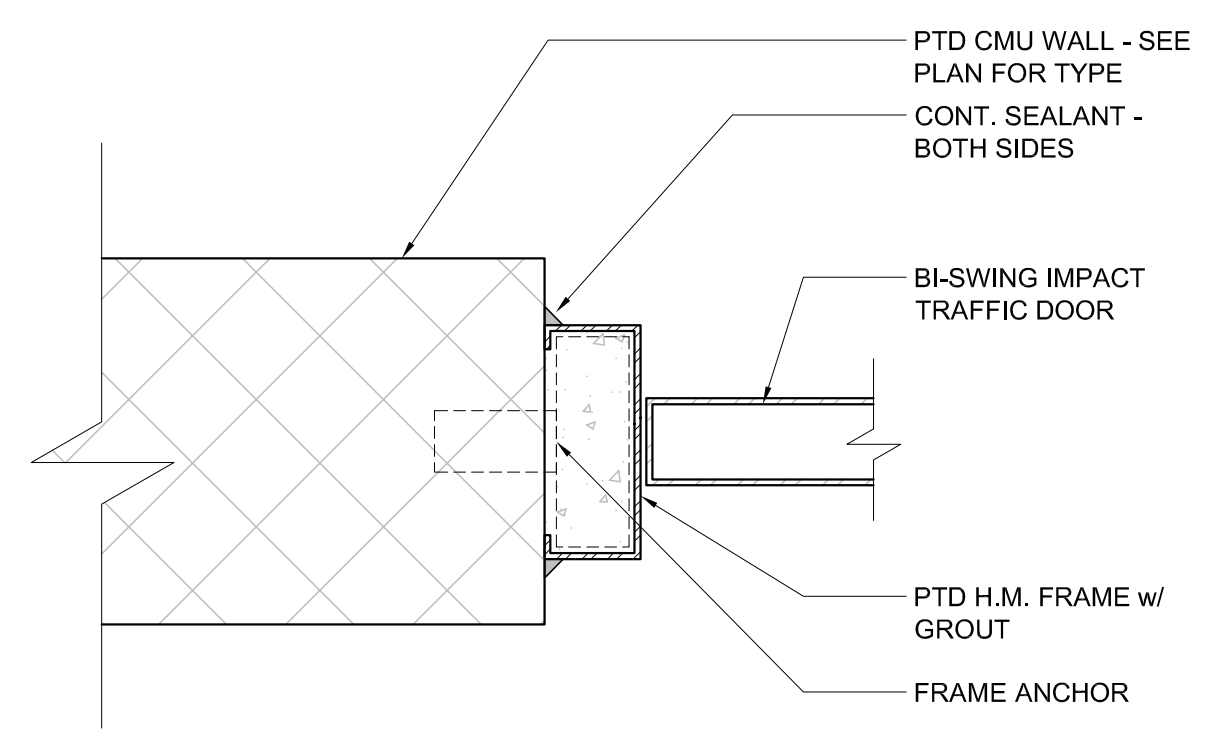


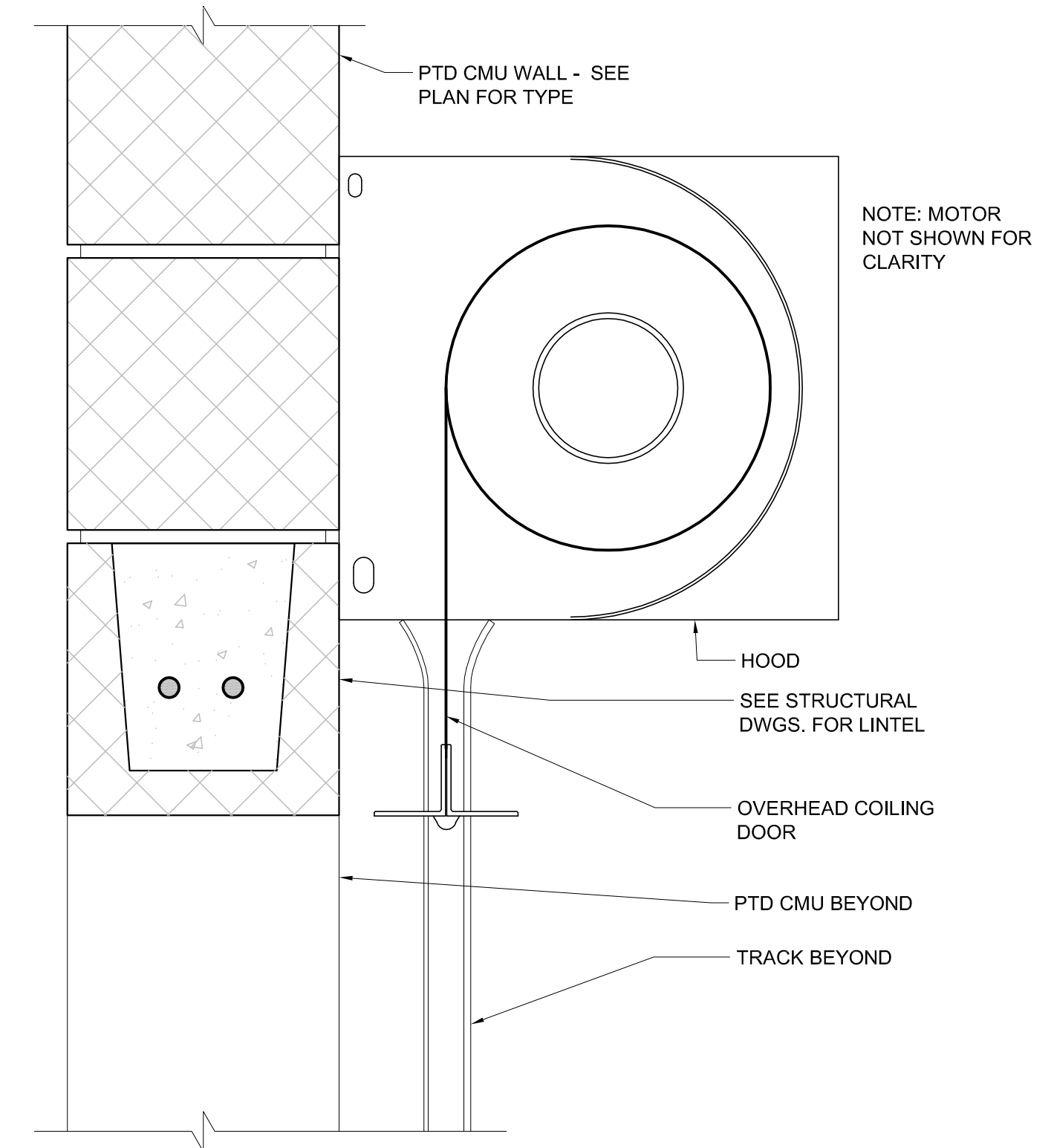
F1 JAMB DETAIL AT H.M. DOOR/FRAME
3" = 1'-0"

F4 HEAD DETAIL AT H.M. DOOR/FRAME
3" = 1'-0"

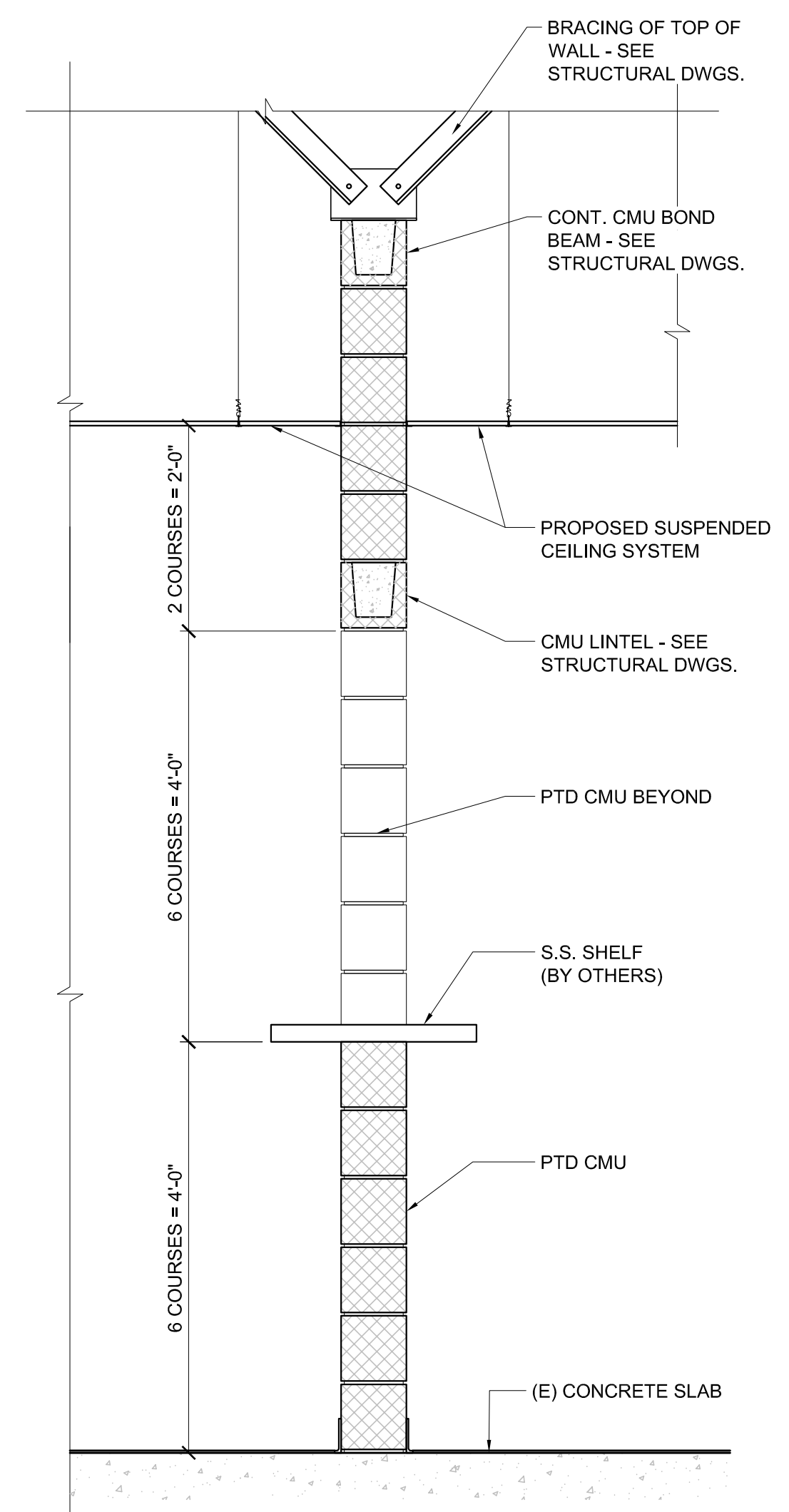
F6 HEAD DETAIL AT TRAFFIC DOOR
3" = 1'-0"



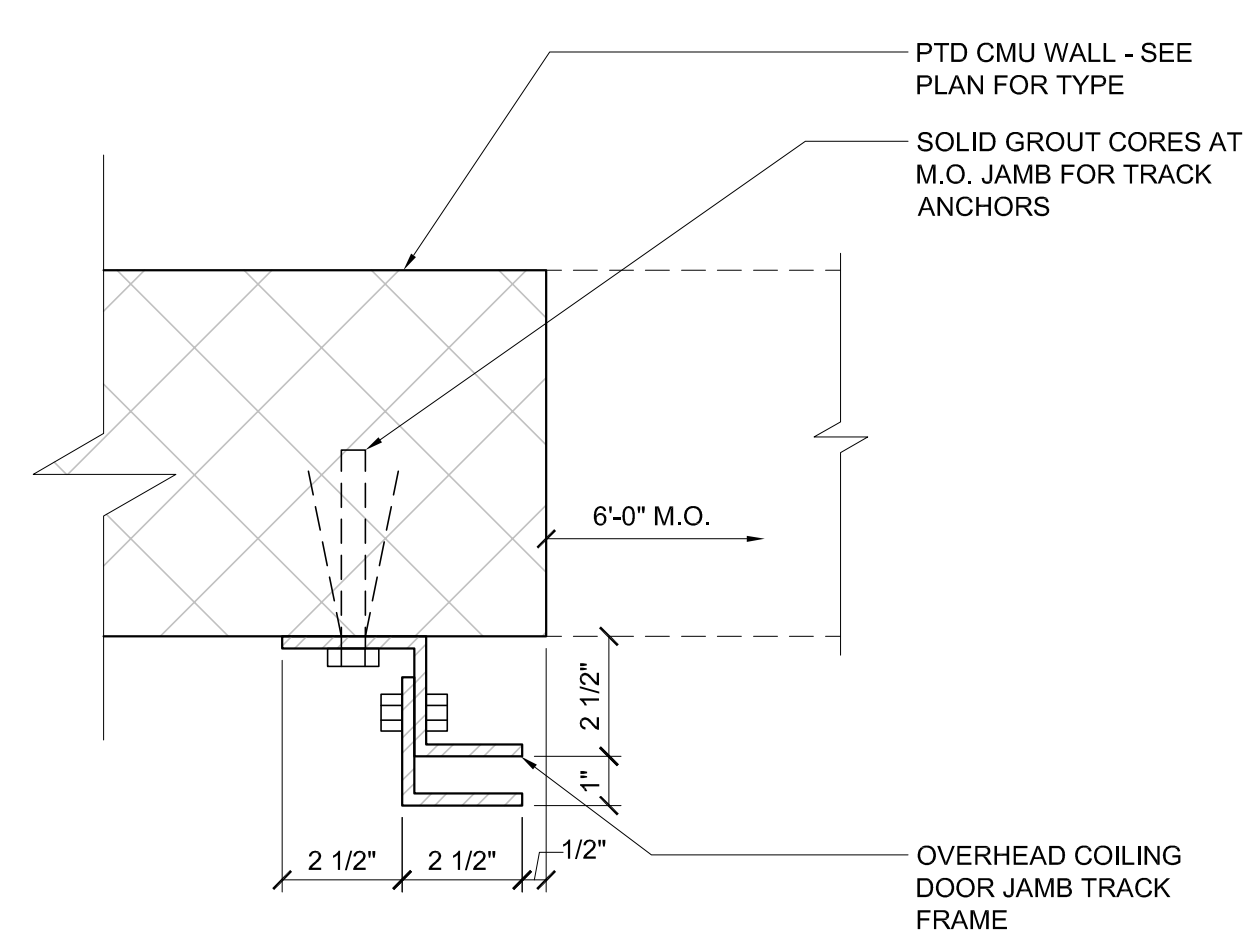
C1 JAMB DETAIL AT TRAFFIC DOOR
3" = 1'-0"



A4 HEAD DETAIL AT OVERHEAD COILING DOOR
3" = 1'-0"



A7 SECTION AT PASS-THRU
3/4" = 1'-0"



A1 JAMB DETAIL AT OVERHEAD COILING DOOR
3" = 1'-0"

REVISIONS			
NUMBER	DATE	BY	DESCRIPTION

ARCHITECTURAL ~ DETAILS
CITY OF PORTLAND
PORTLAND PUBLIC SCHOOLS - CENTRAL KITCHEN
92 WALDRON WAY, PORTLAND, MAINE
© COPYRIGHT 2013 ALLIED ENGINEERING, INC.

N:\Projects\2013\13001 - Portland Public Schools - Central Kitchen\03 Drawing Files\13001A.dwg Mar 19, 2013 - 2:19pm