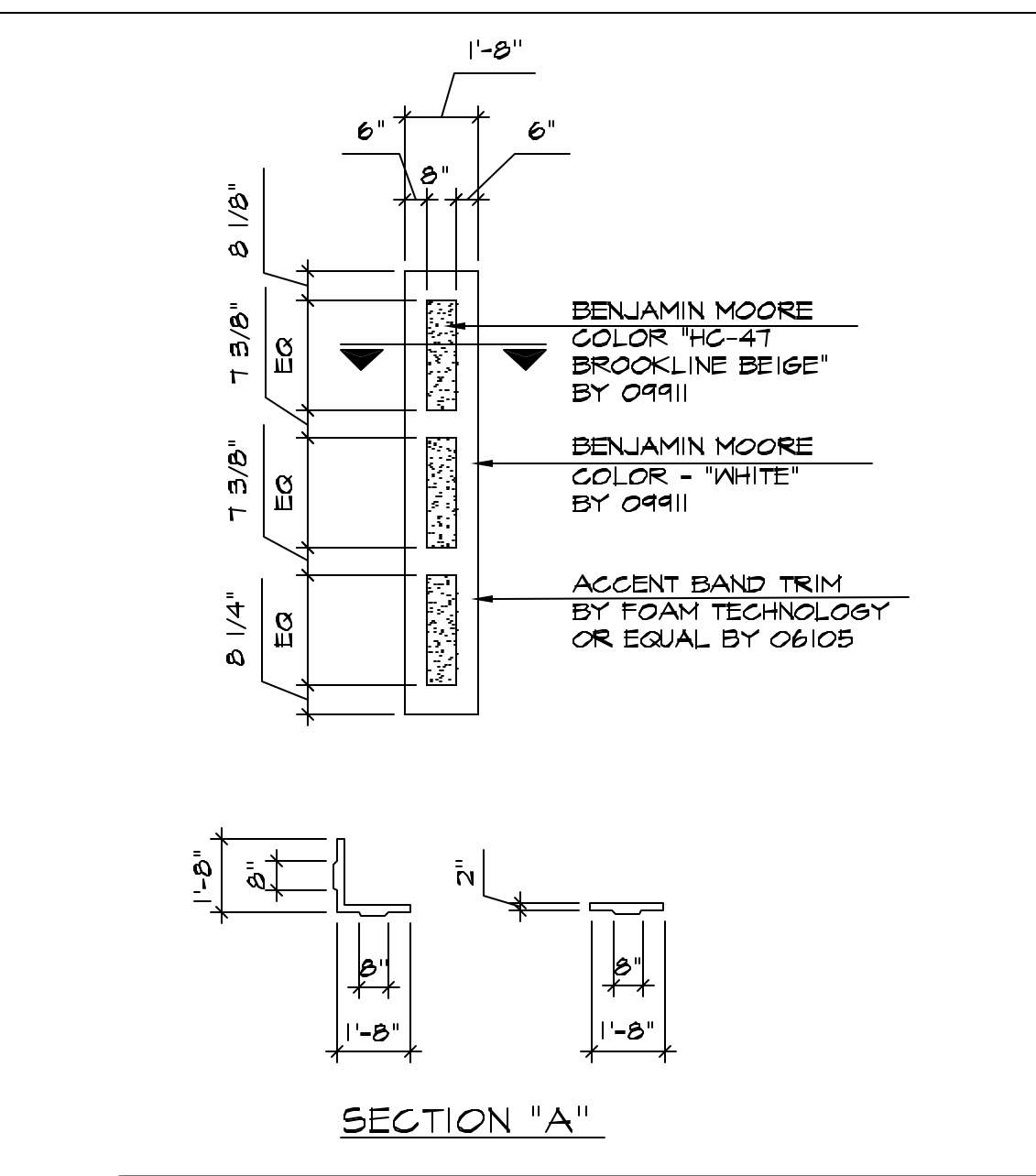
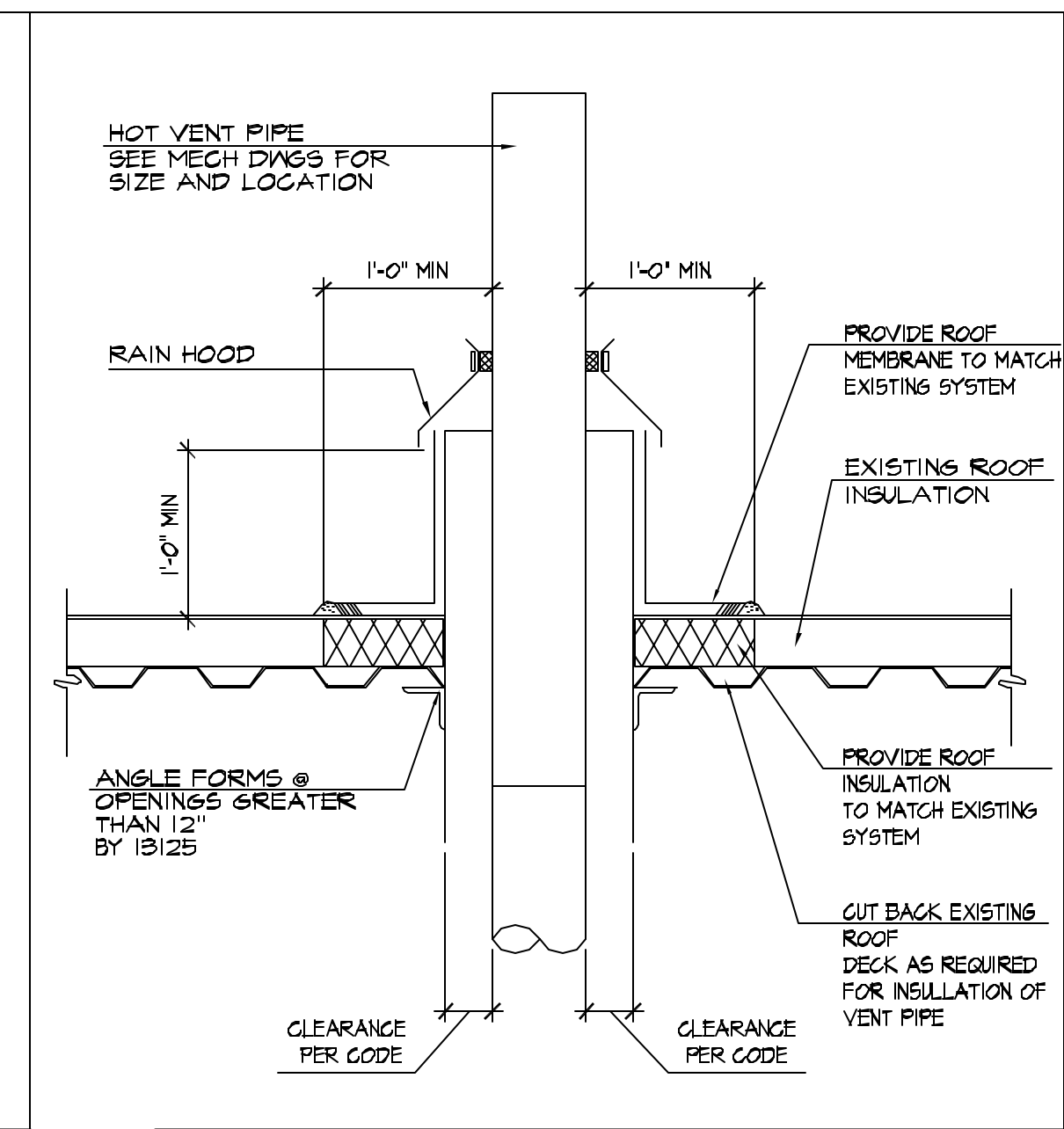


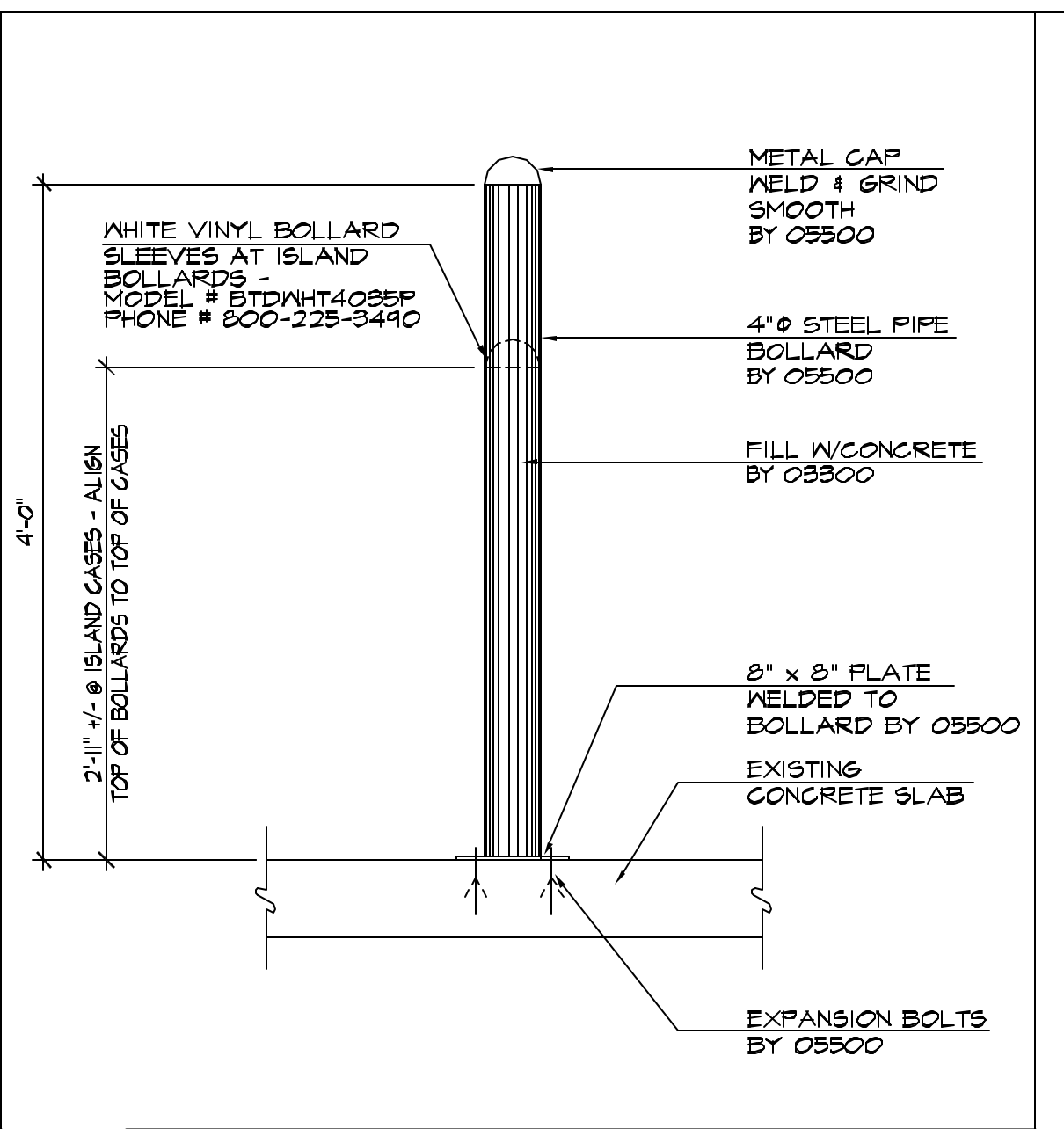
11 TYPICAL GUARD RAIL DETAIL
A8.1 SCALE: 1" = 1'-0"



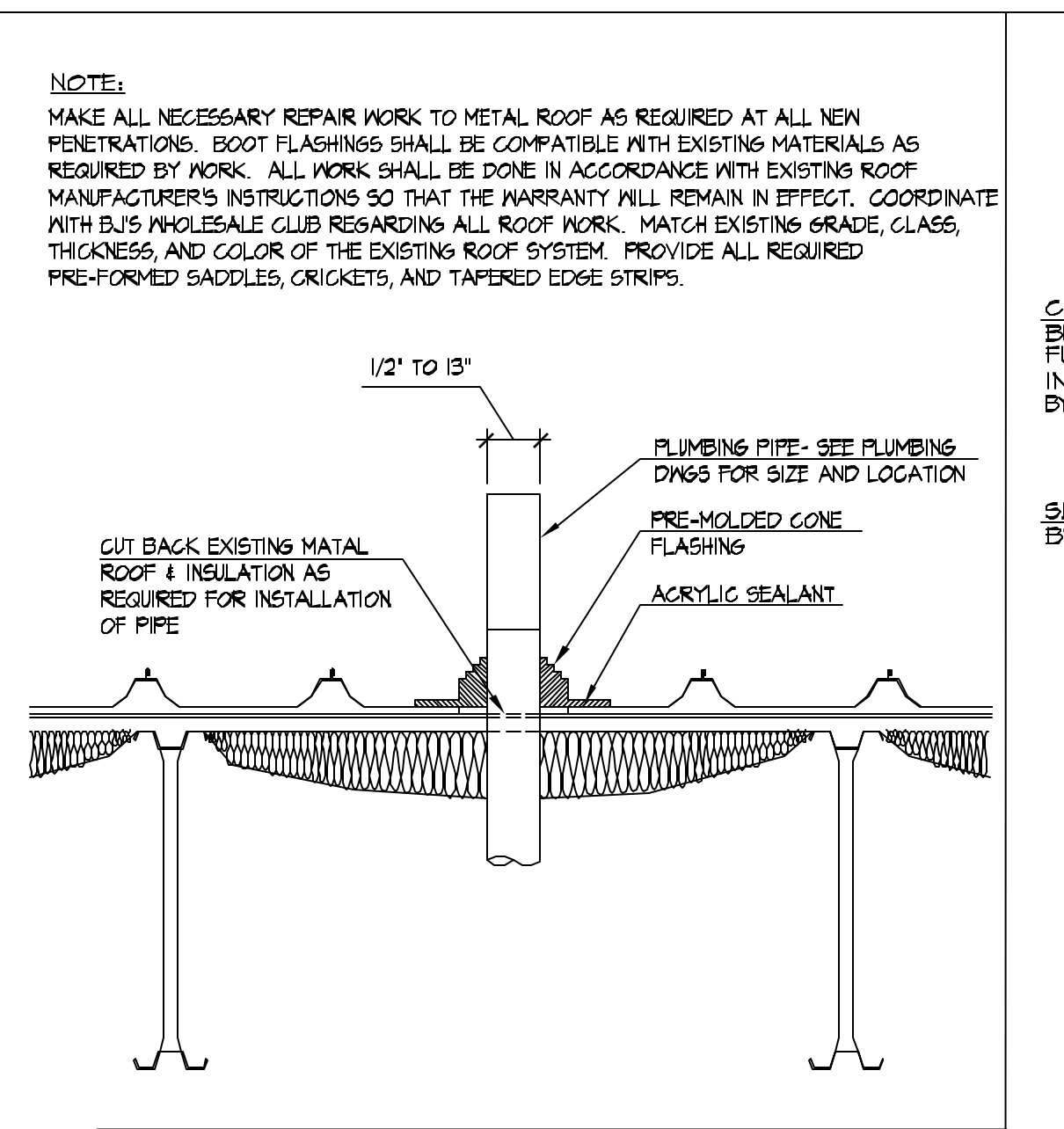
12 ACCENT BAND DETAIL
A8.1 SCALE: 1/4" = 1'-0"



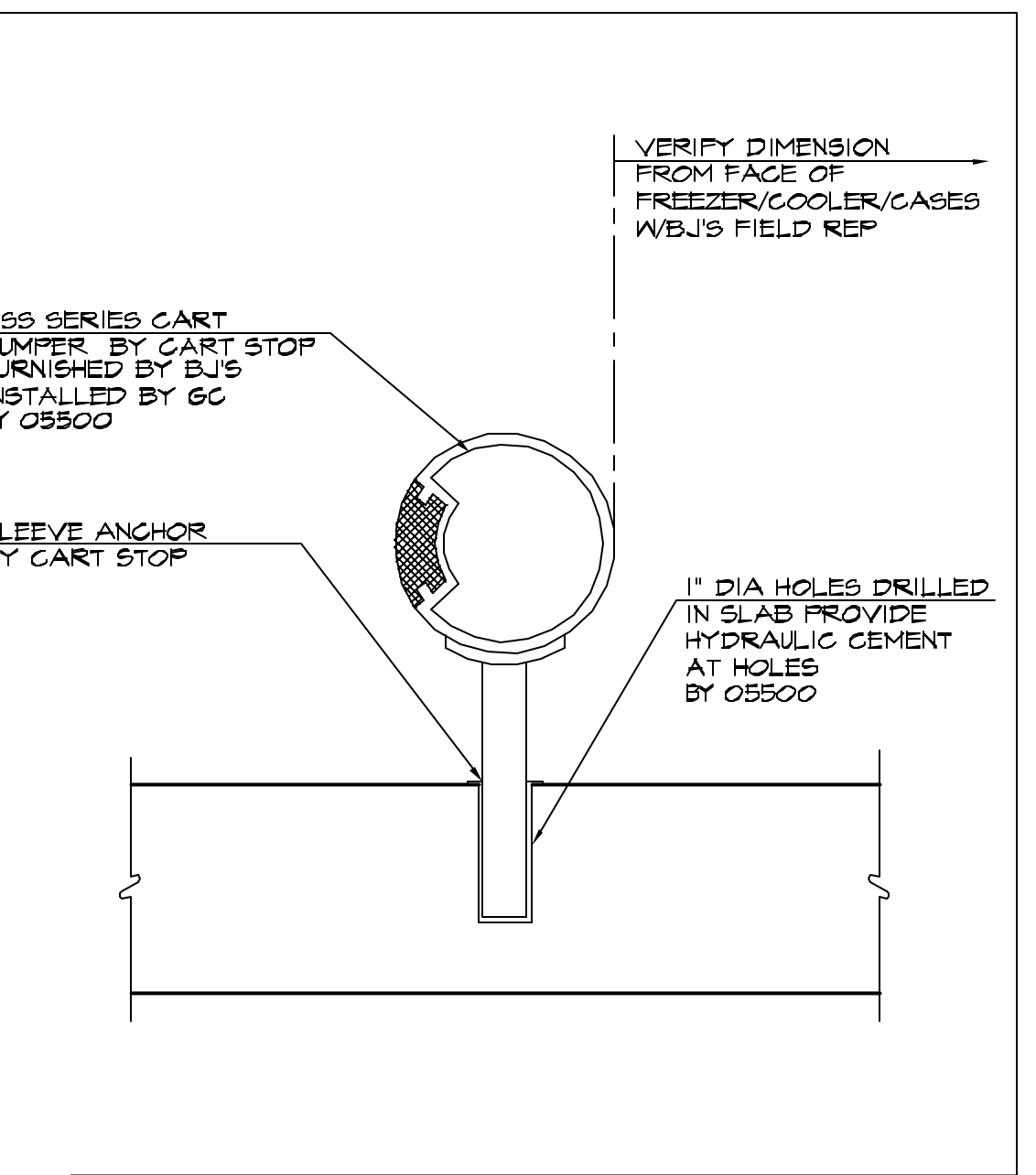
13 DETAIL - PLUMBING PIPE FLASHING (HOT)
A8.1 SCALE: 1" = 1'-0"



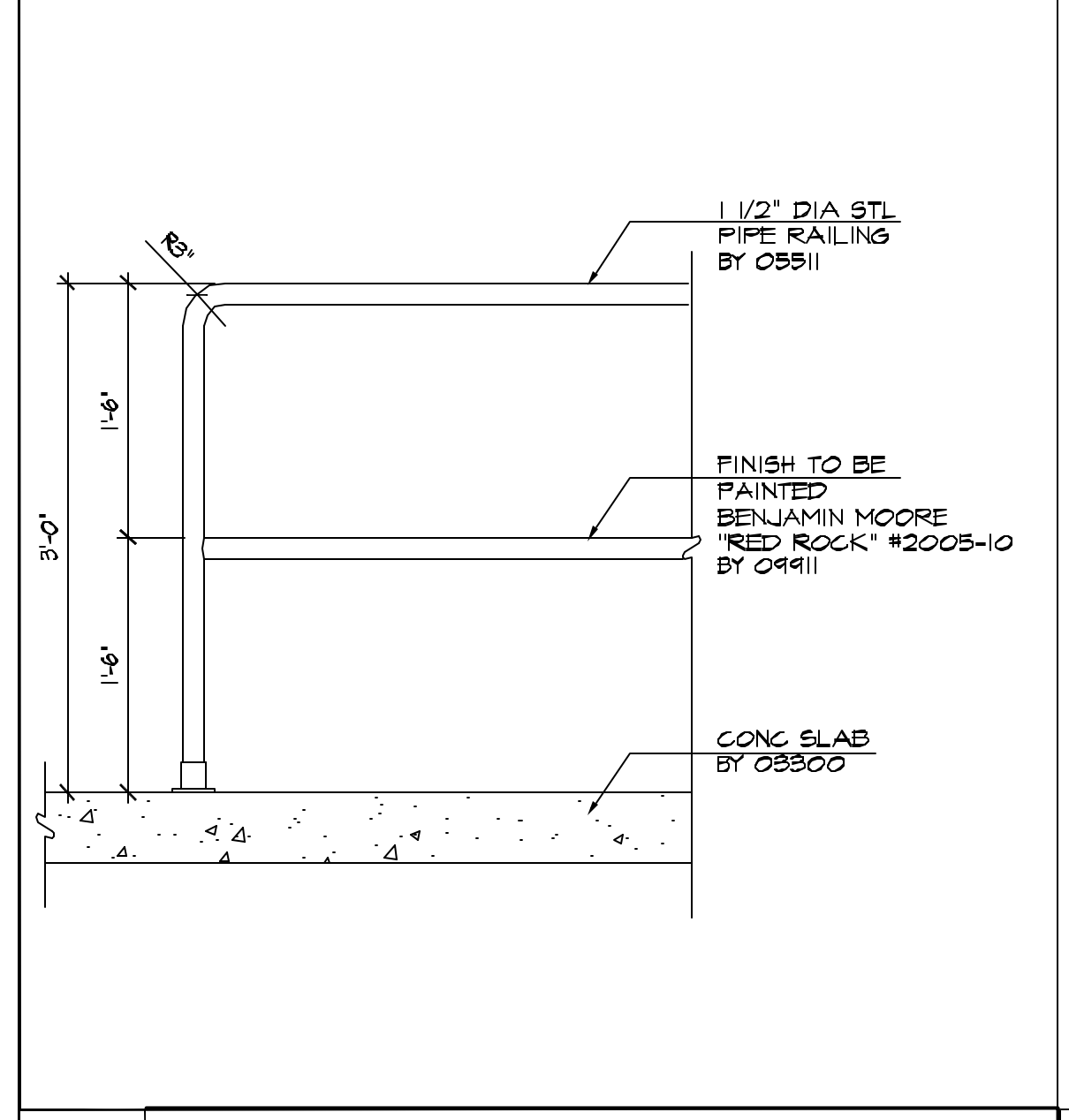
14 BOLLARD DETAIL
A8.1 SCALE: 1" = 1'-0"



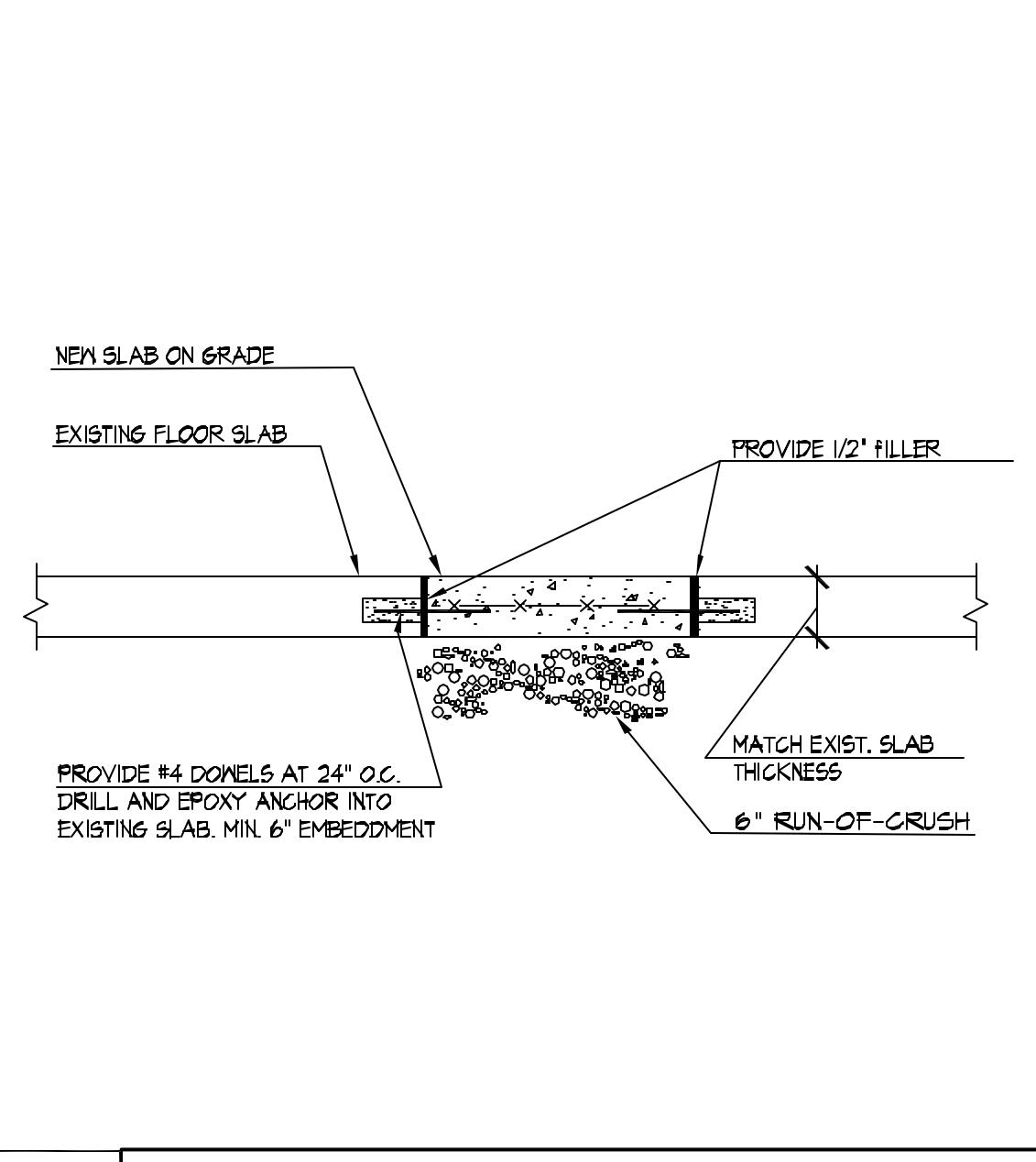
15 METAL ROOF DETAIL - PLUMBING PIPE FLASHING
A8.1 SCALE: 1" = 1'-0"



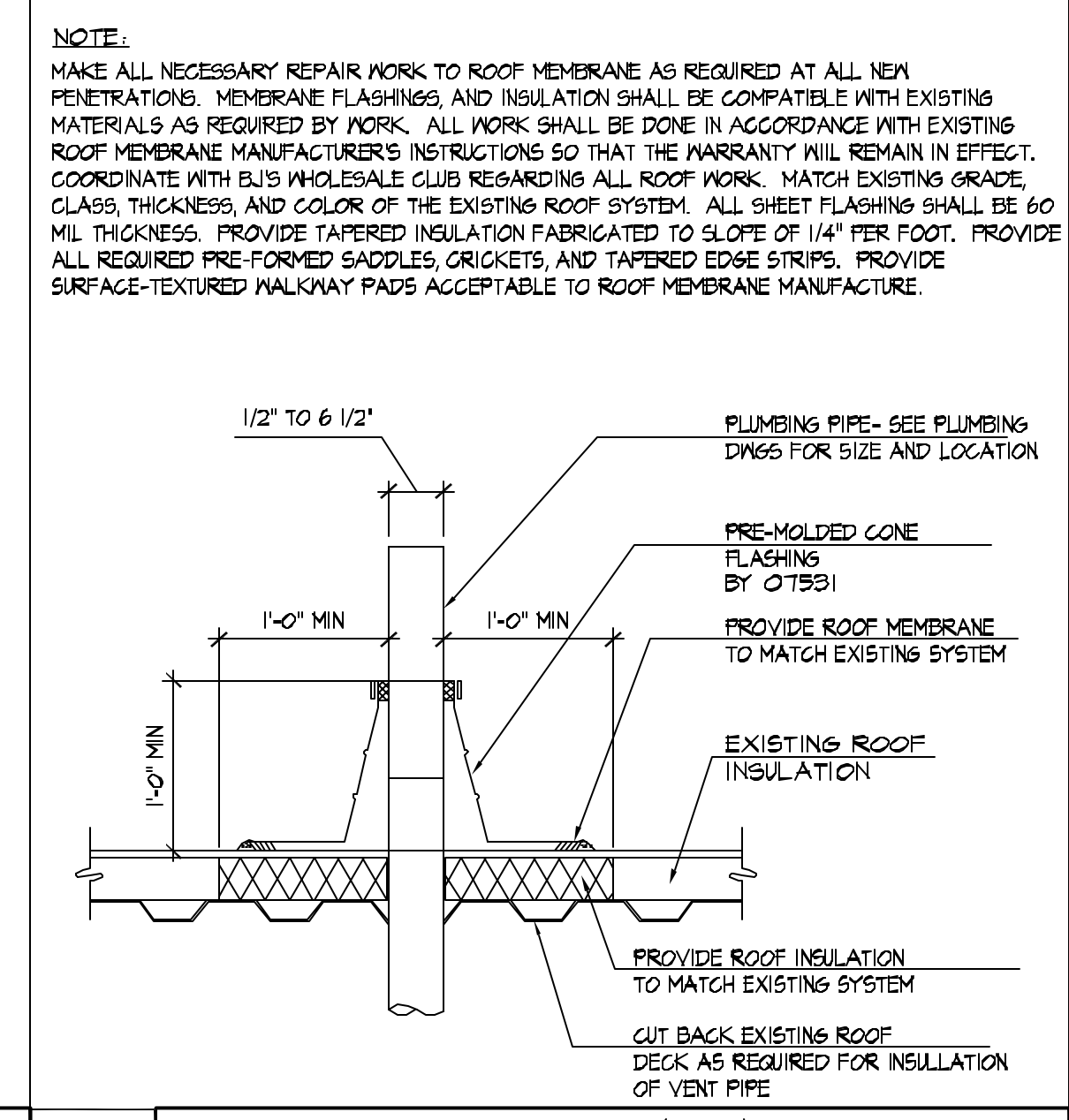
16 CART BUMPER DETAIL
A8.1 SCALE: 3" = 1'-0"



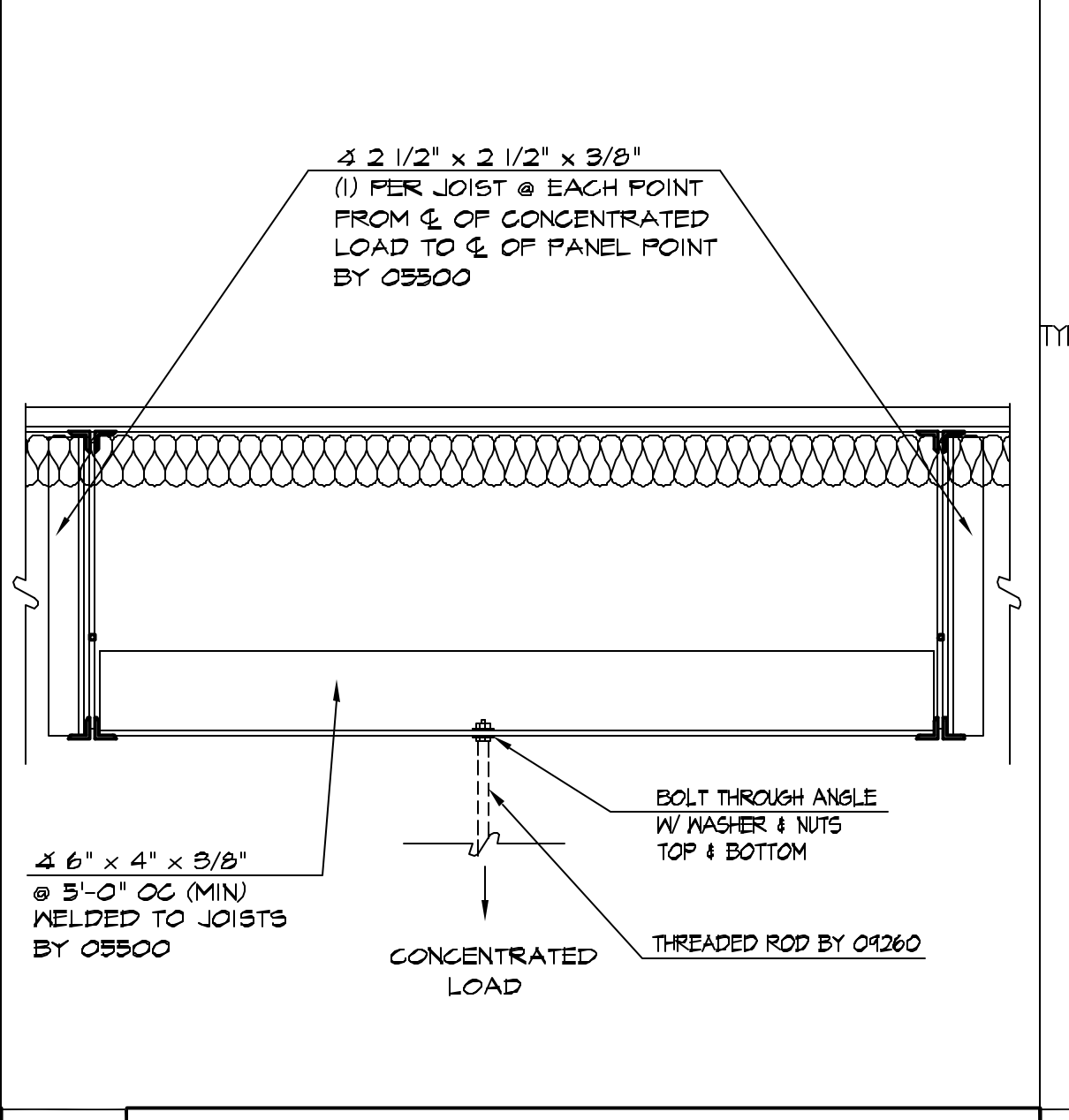
21 PIPE RAIL DETAIL
A8.1 SCALE: 1" = 1'-0"



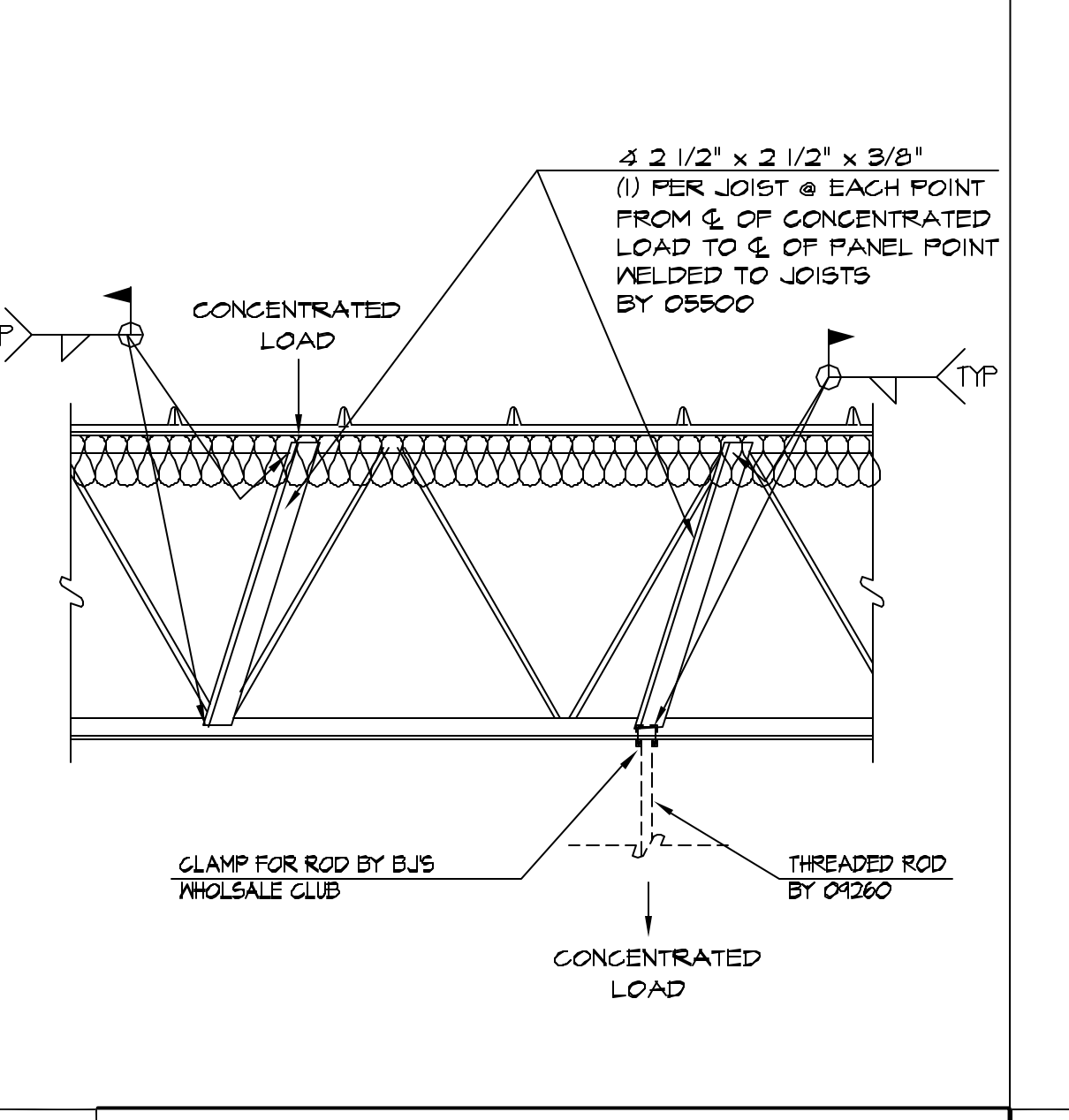
22 SAWCUT DETAIL
A8.1 SCALE: NONE



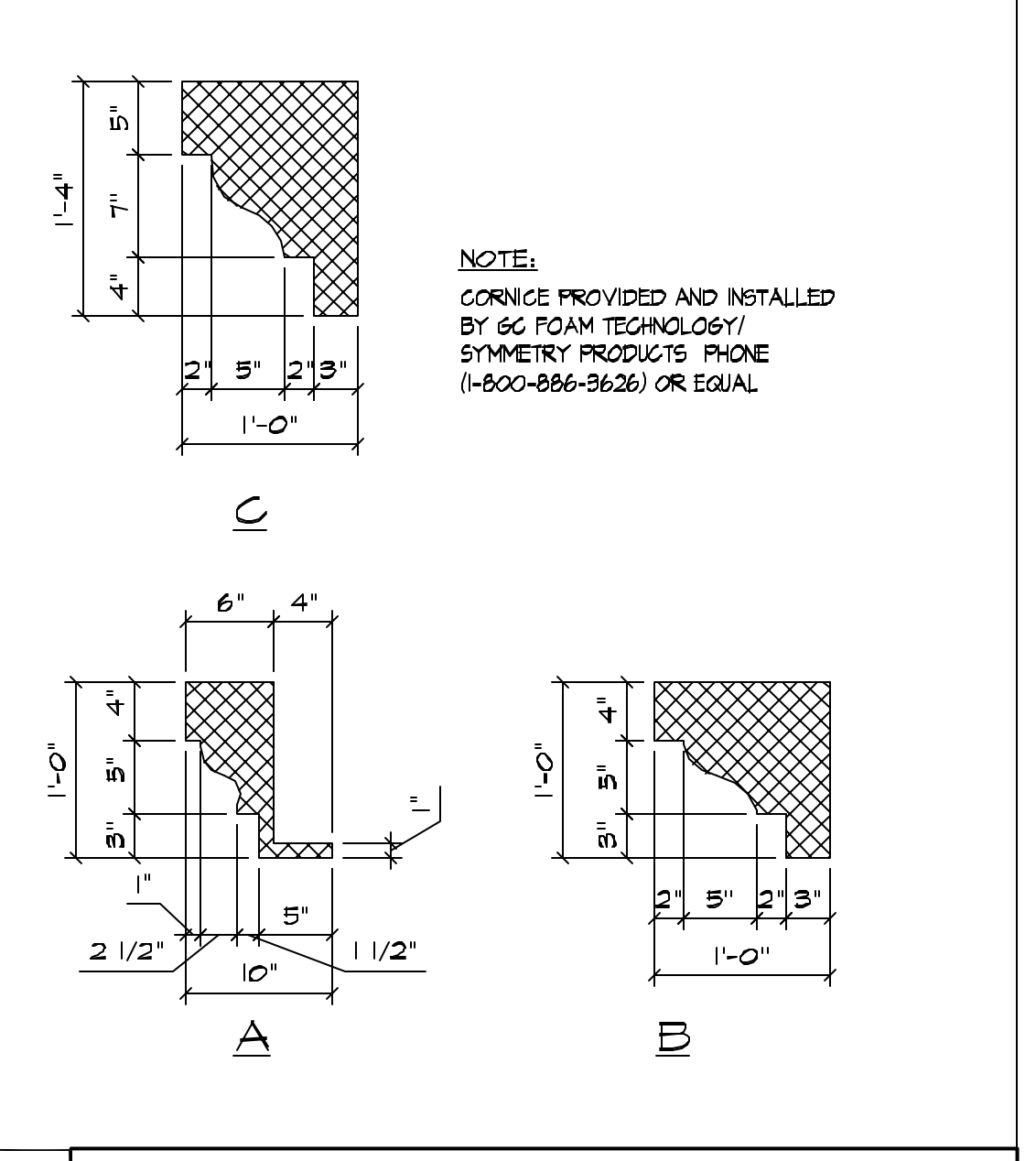
23 DETAIL - PLUMBING PIPE FLASHING (COLD)
A8.1 SCALE: 1" = 1'-0"



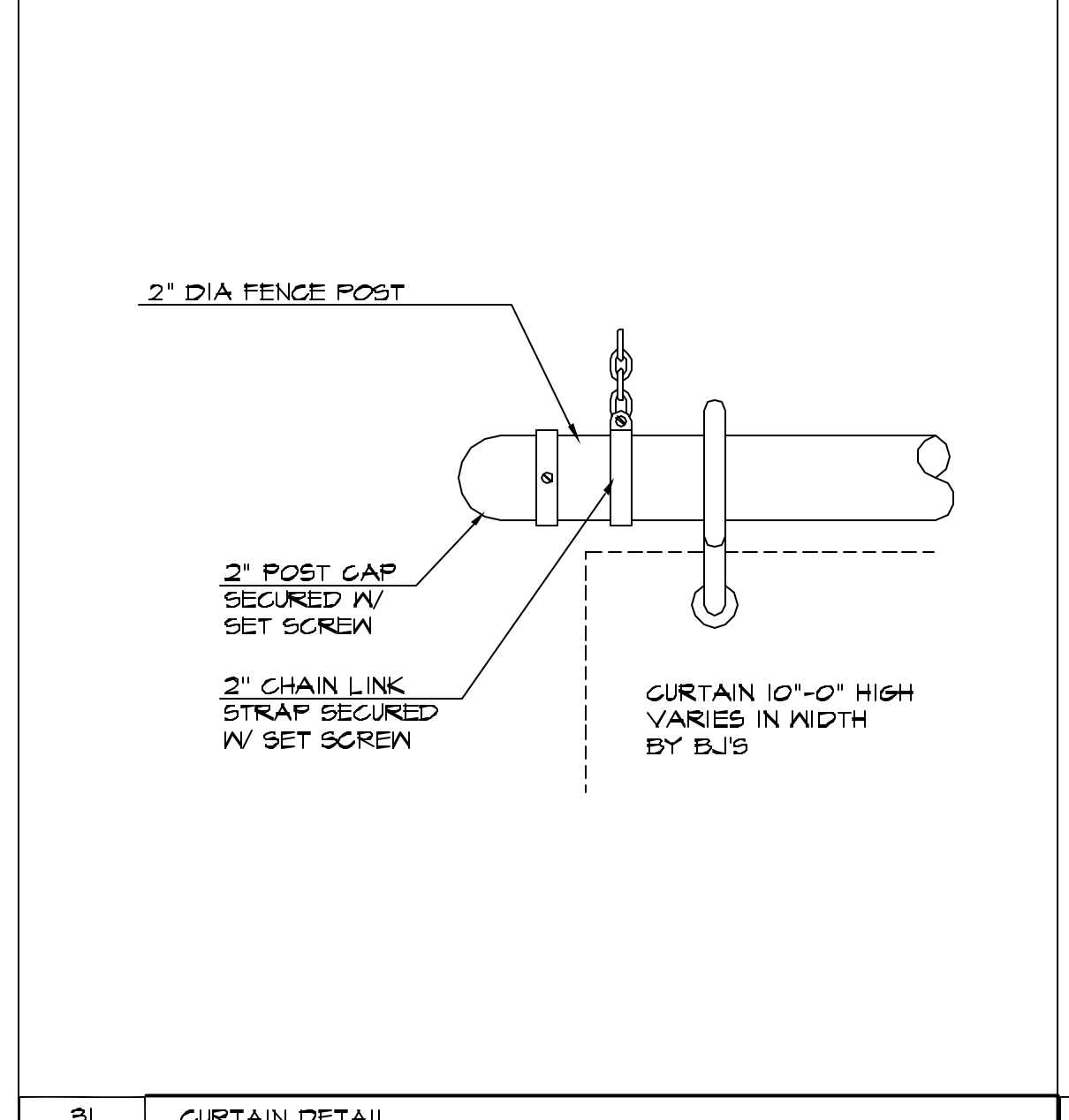
24 JOIST REINFORCING DETAIL
A8.1 SCALE: 1/2" = 1'-0"



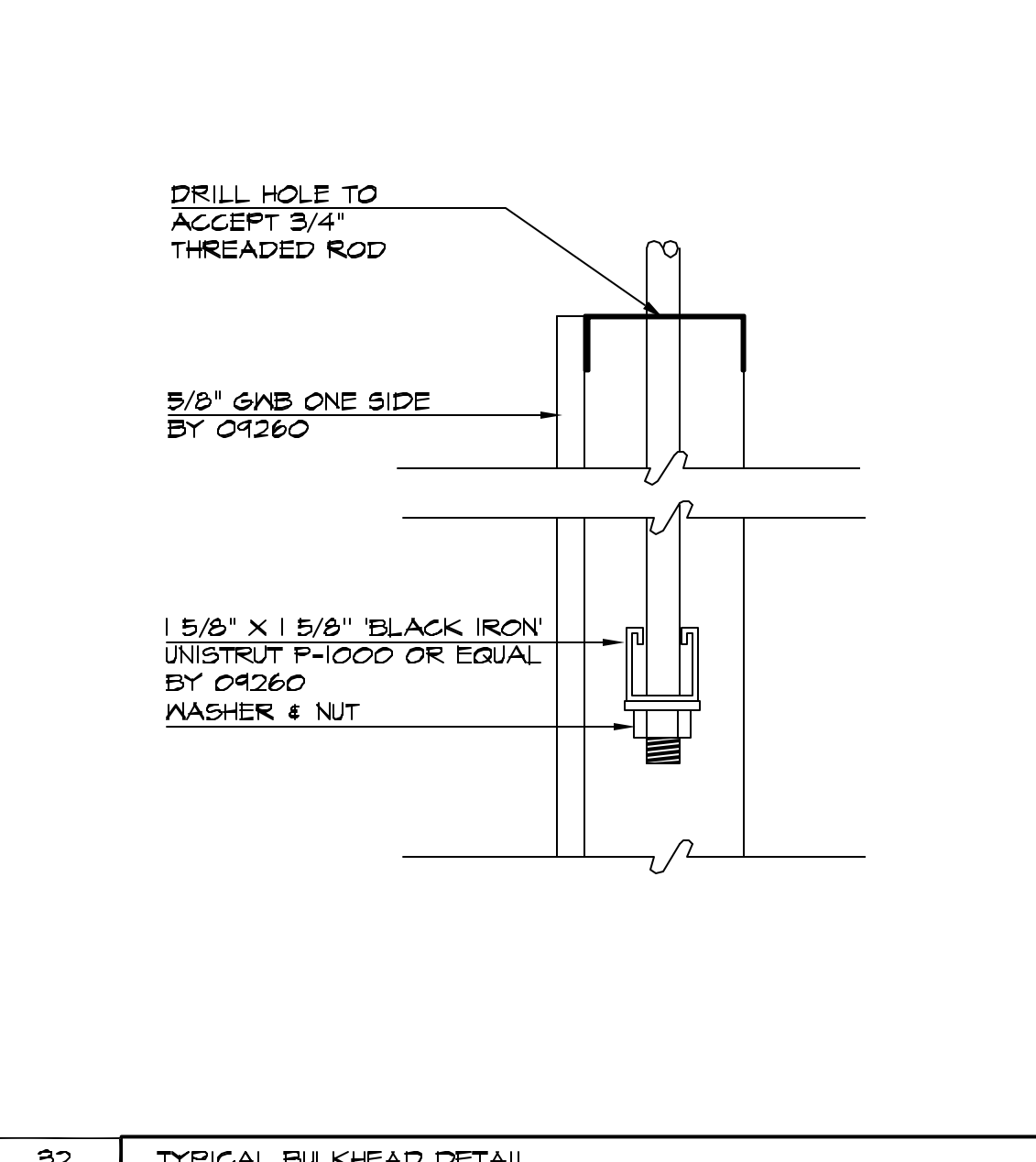
25 JOIST REINFORCING DETAIL
A8.1 SCALE: NOT TO SCALE



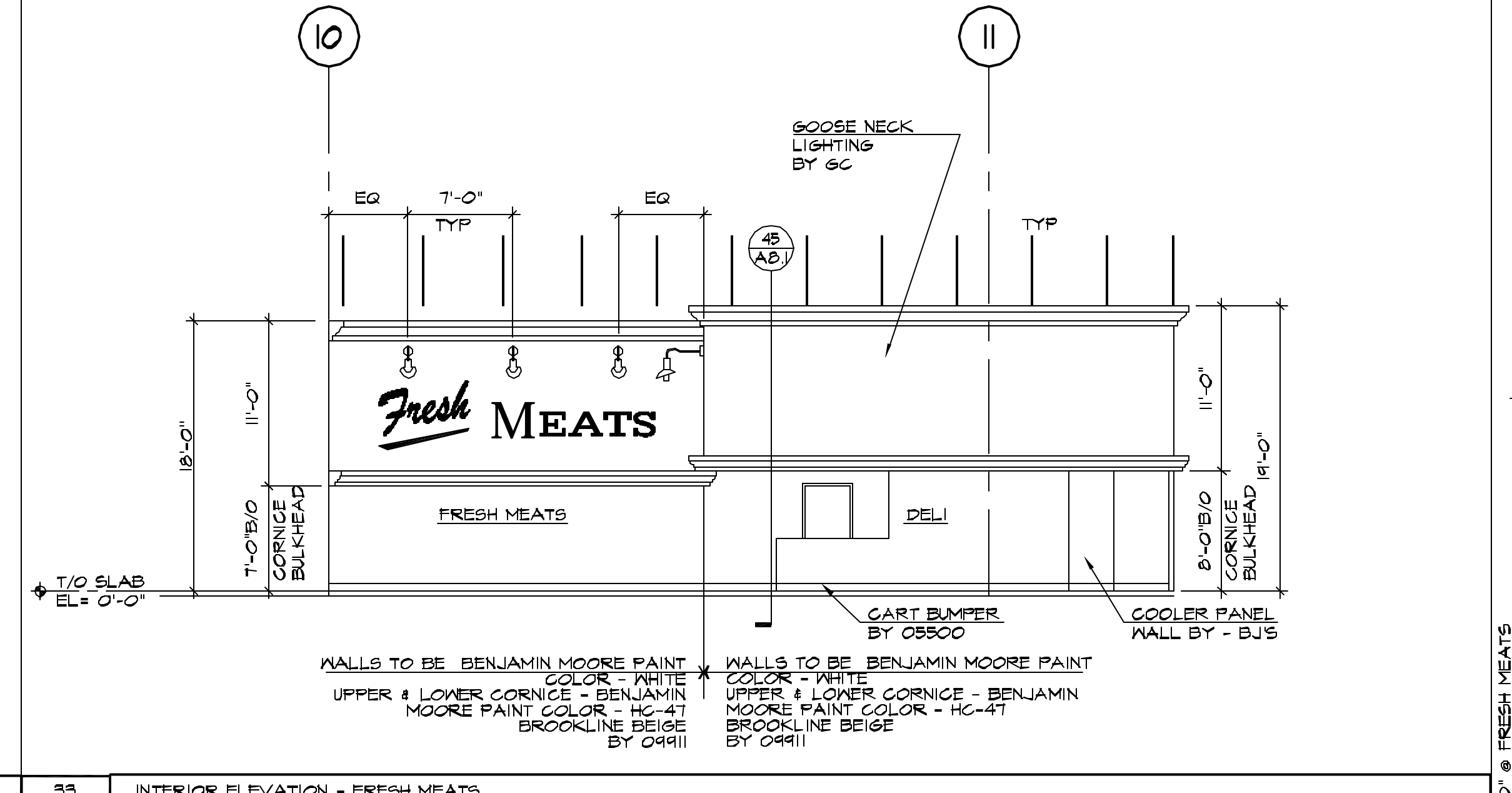
26 CORNICE DETAILS
A8.1 SCALE: 1" = 1'-0"



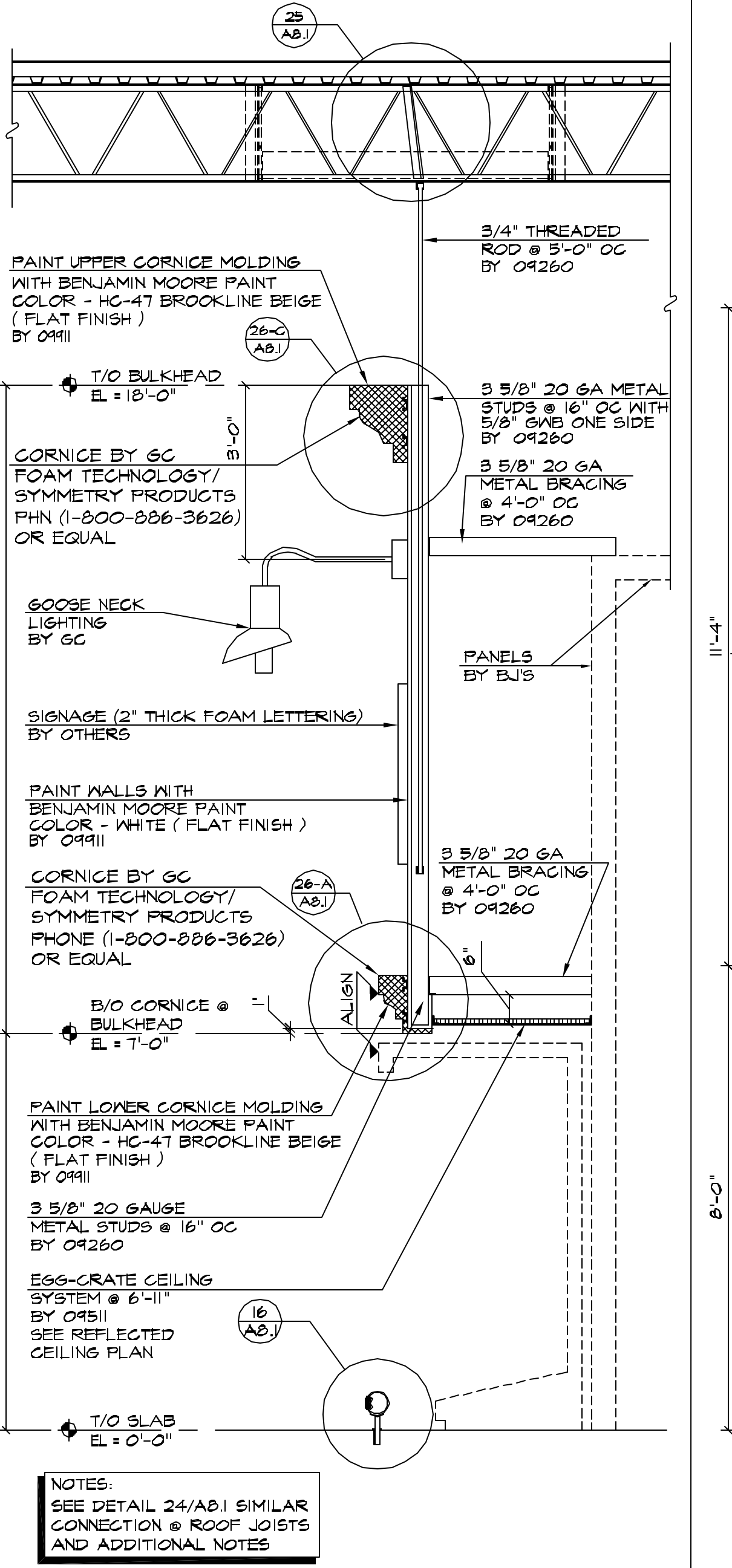
31 CURTAIN DETAIL
A8.1 SCALE: 3" = 1'-0"



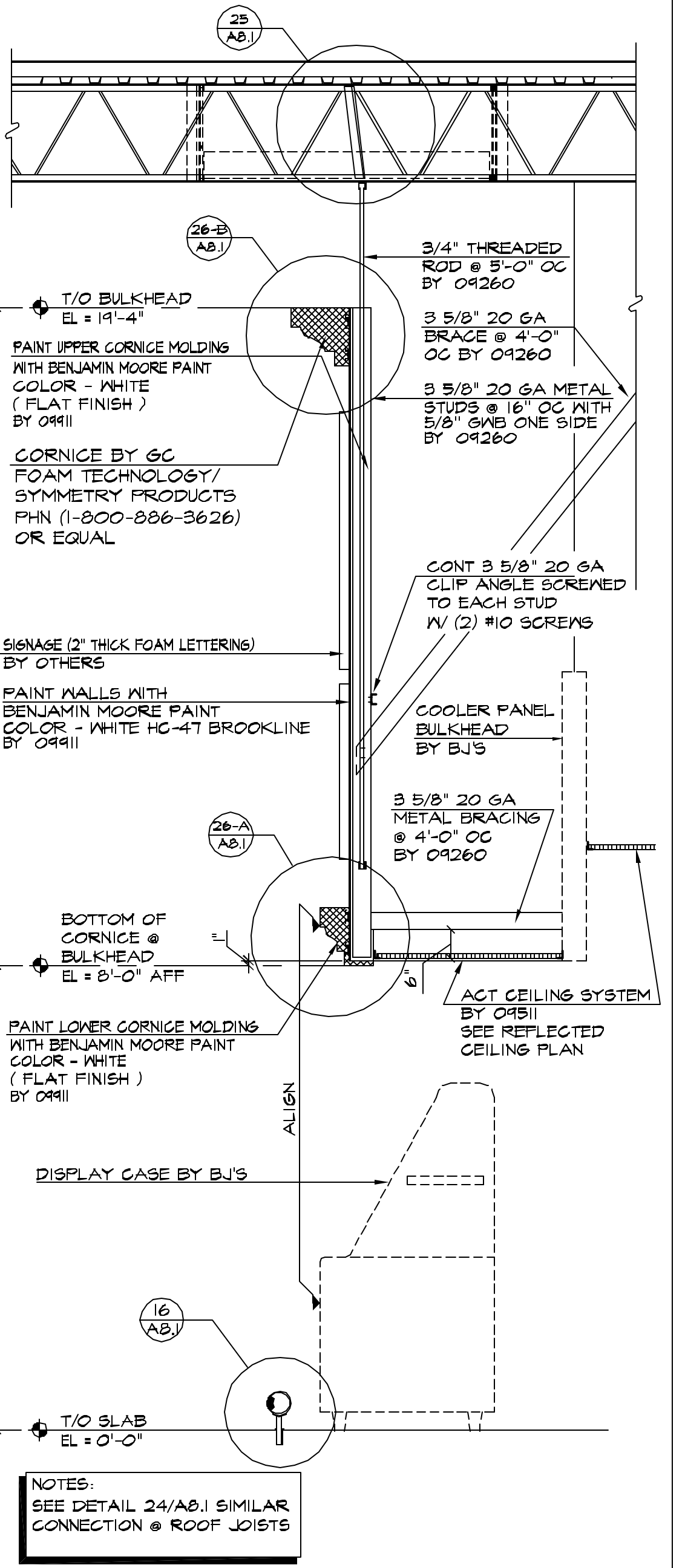
32 TYPICAL BULKHEAD DETAIL
A8.1 SCALE: 3" = 1'-0"



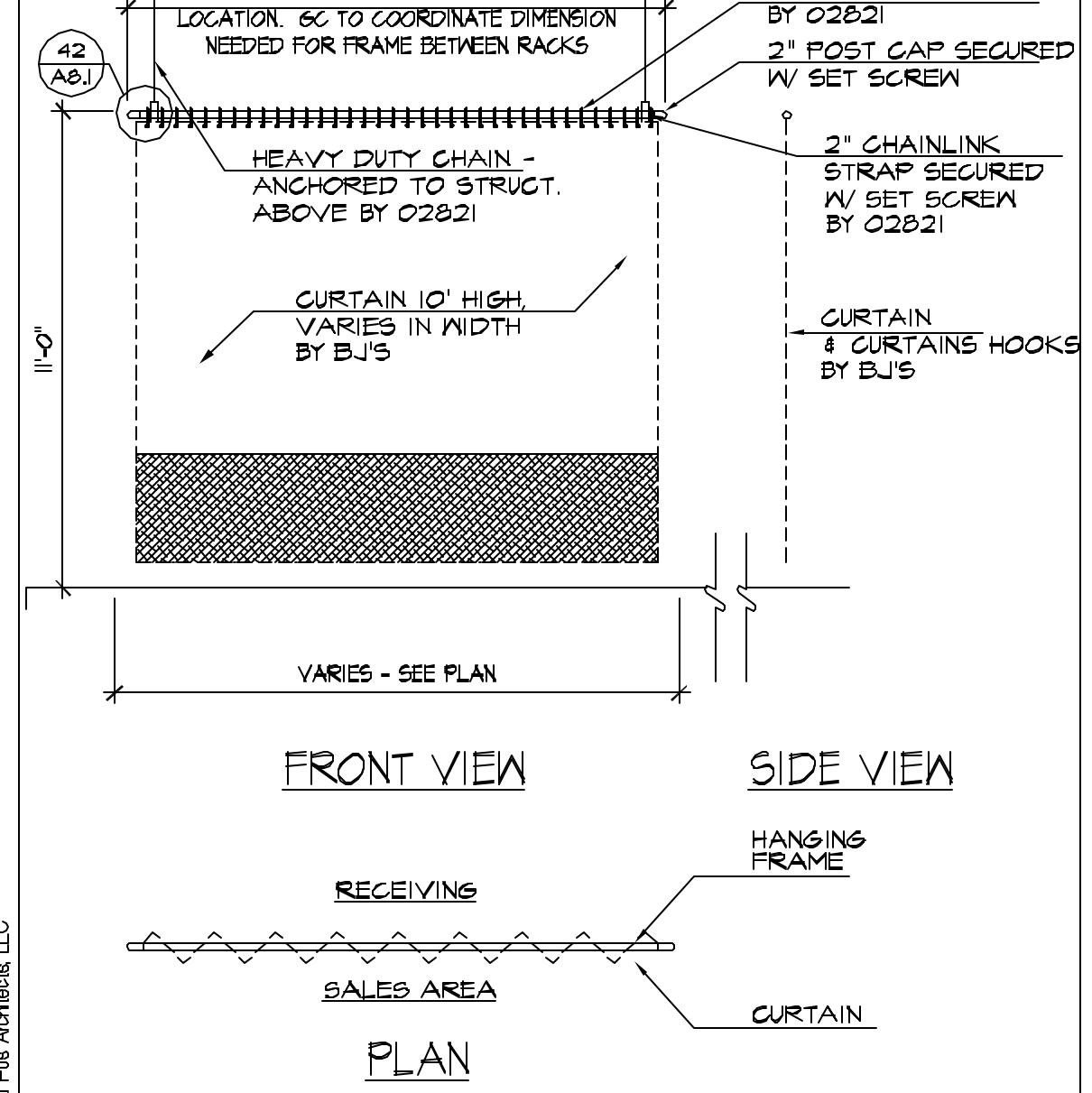
33 INTERIOR ELEVATION - FRESH MEATS
A8.1 SCALE: 1/8" = 1'-0"



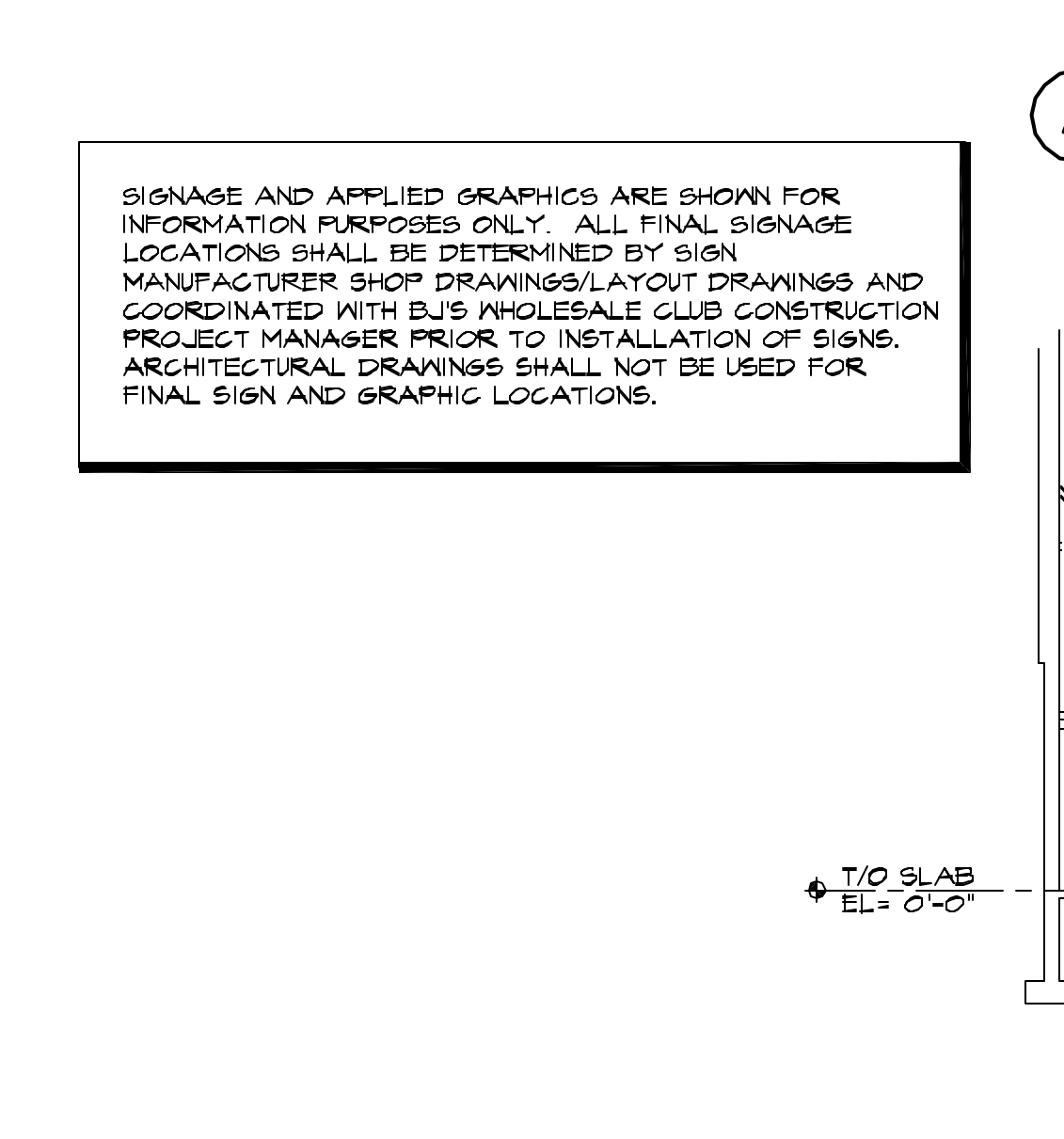
45 WALL SECTION - FRESH MEATS
A8.1 SCALE: 1/2" = 1'-0"



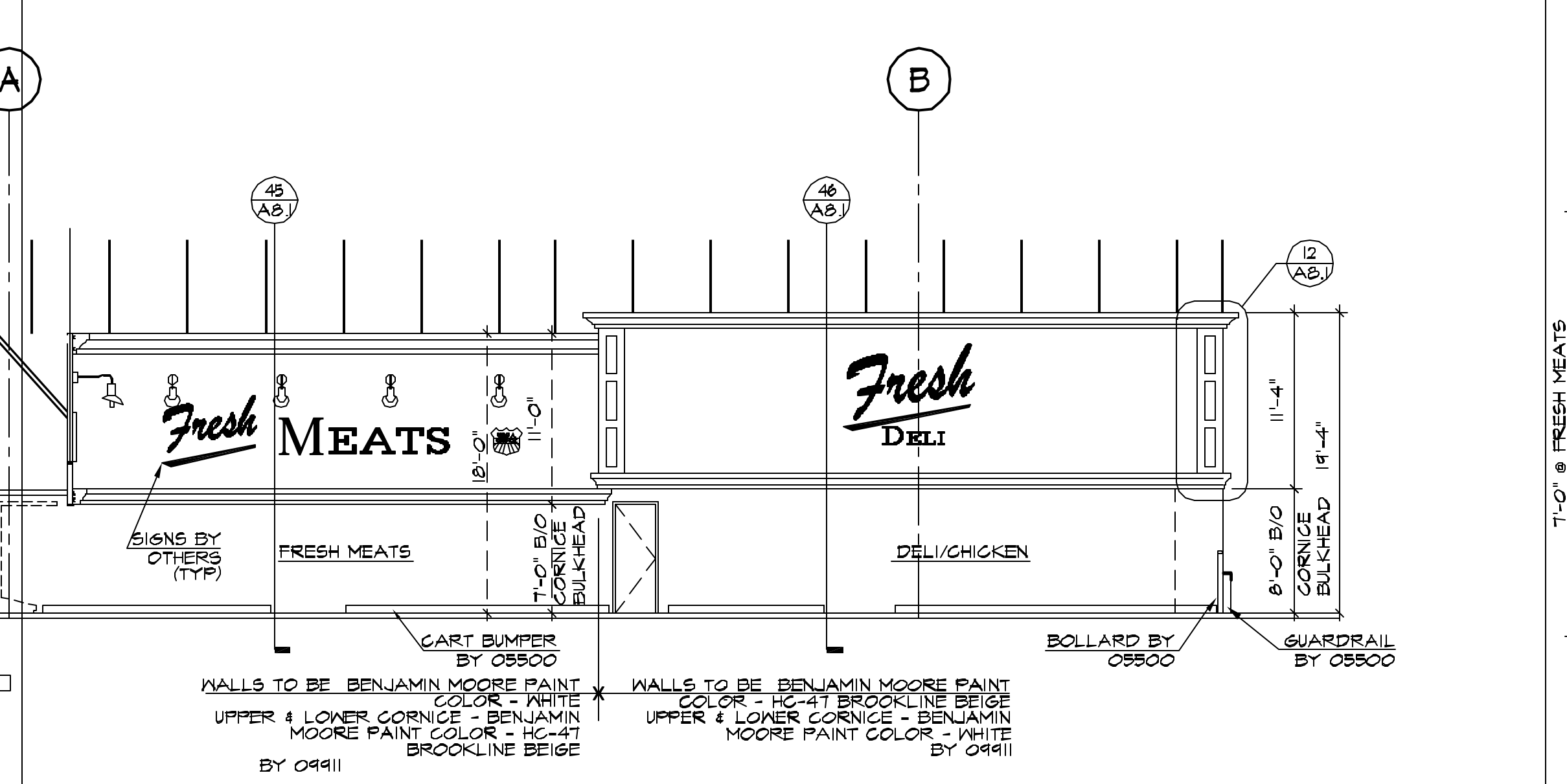
46 WALL SECTION - DELI
A8.1 SCALE: 1/2" = 1'-0"



41 CURTAIN ELEVATION
A8.1 SCALE: 1/4" = 1'-0"

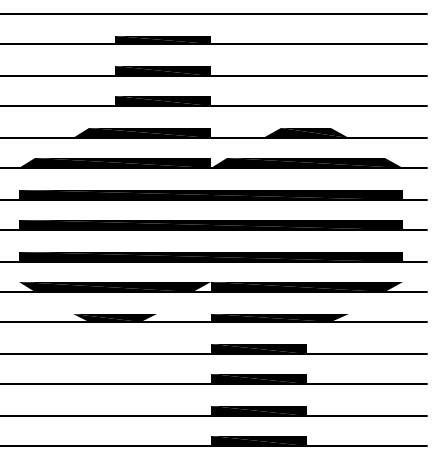


43 INTERIOR ELEVATION - FRESH MEATS
A8.1 SCALE: 1/8" = 1'-0"



44 INTERIOR ELEVATION - DELI
A8.1 SCALE: 1/8" = 1'-0"

© 2004 Dal Pos Architects, LLC



dal pos
DAL POS ARCHITECTS, LLC
101 N. CUNTON STREET, SUITE 300
SYRACUSE, NEW YORK 13202
TELEPHONE (315) 422-0201
FAX (315) 422-0776

PERMIT/BID SET
4/12/04

RENOVATIONS TO :
BJS WHOLESALE CLUB
PORTLAND, MAINE



THE CONTRACTOR SHALL VERIFY ALL DIMENSIONS AT THE SITE AND PROMPTLY NOTIFY THE ARCHITECT IN WRITING OF ANY DISCREPANCIES

REVISIONS

NO.	DATE	DESCRIPTION

DRAWN BY: *CPK*
CHECKED BY: *TRD*
PROJ. NO.: 04027
DATE: 4/12/04
SCALE: AS NOTED
TITLE:

INTERIOR ELEVATIONS & DETAILS

A8.1