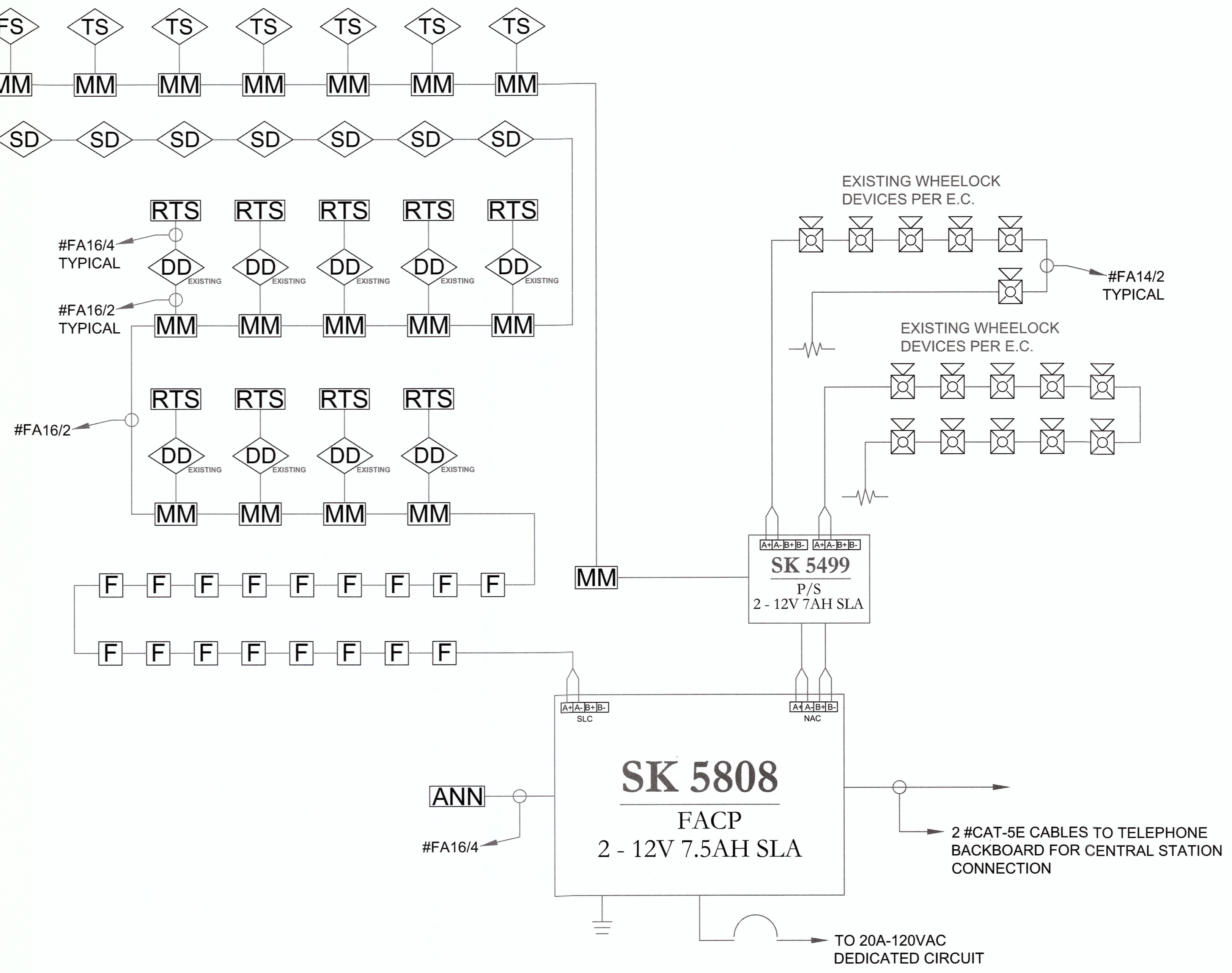


PREPARED AND APPROVED BY
GARY J. EMOND
NICET LEVEL IV
SET #74053

SYSTEM INPUTS	SYSTEM OUTPUTS																							
	Control Unit Annunciation					Notification					Outputs					Required Fire Safety Control					Supplementary			
	A	B	C	D	E	F	G	H	I	J	K	L	M	N	P	Q	R	S	T	U	V	W	X	Y
1 Manual Alarm Boxes	X	X				X	X	X	X	X	X	X	X	X										
2 Smoke Detectors	X	X				X	X	X	X	X	X	X	X	X										
3 In Duct Smoke Detectors			X	X		X	X	X	X	X	X	X	X	X										
4 Heat Detectors	X	X				X	X	X	X	X	X	X	X	X										
5 Waterflow Switches	X	X				X	X	X	X	X	X	X	X	X										
6 Sprinkler Tamper Switches			X	X		X	X	X	X	X	X	X	X	X										
7 Sprinkler Pressure Switches			X	X		X	X	X	X	X	X	X	X	X										
8 FACP Ground Fault					X	X	X	X	X					X										
9 FACP AC Power Failure					X	X	X	X	X					X										
10 FACP Battery Failure					X	X	X	X	X					X										
11 SLC Short Circuit					X	X	X	X	X					X										
12 SLC Open Circuit					X	X	X	X	X					X										
13 SLC Ground Fault					X	X	X	X	X					X										
15 NAC Short Circuit					X	X	X	X	X					X										
16 NAC Open					X	X	X	X	X					X										
17 NAC Ground Fault					X	X	X	X	X					X										
18 Annunciator Communications Failure					X	X	X	X	X					X										
19 Power Supply Trouble					X	X	X	X	X					X										



RISER DIAGRAM & MATRIX
SHOWING DEVICES AND WIRING

DEAN & ALLYN, INC.
116 Lewiston Road
Gray, ME

NO.	REVISION/ISSUE	DATE

PROJECT NAME
BJ'S WHOLESALE
PORTLAND, ME

FILE
BJ WHOLESALE.DWG

DRAWN BY
B. G.

DATE
NOVEMBER 19, 2014

CHECKED BY
G. E.

DATE
NOVEMBER 19, 2014

SCALE
N/A

SHEET
FA-2