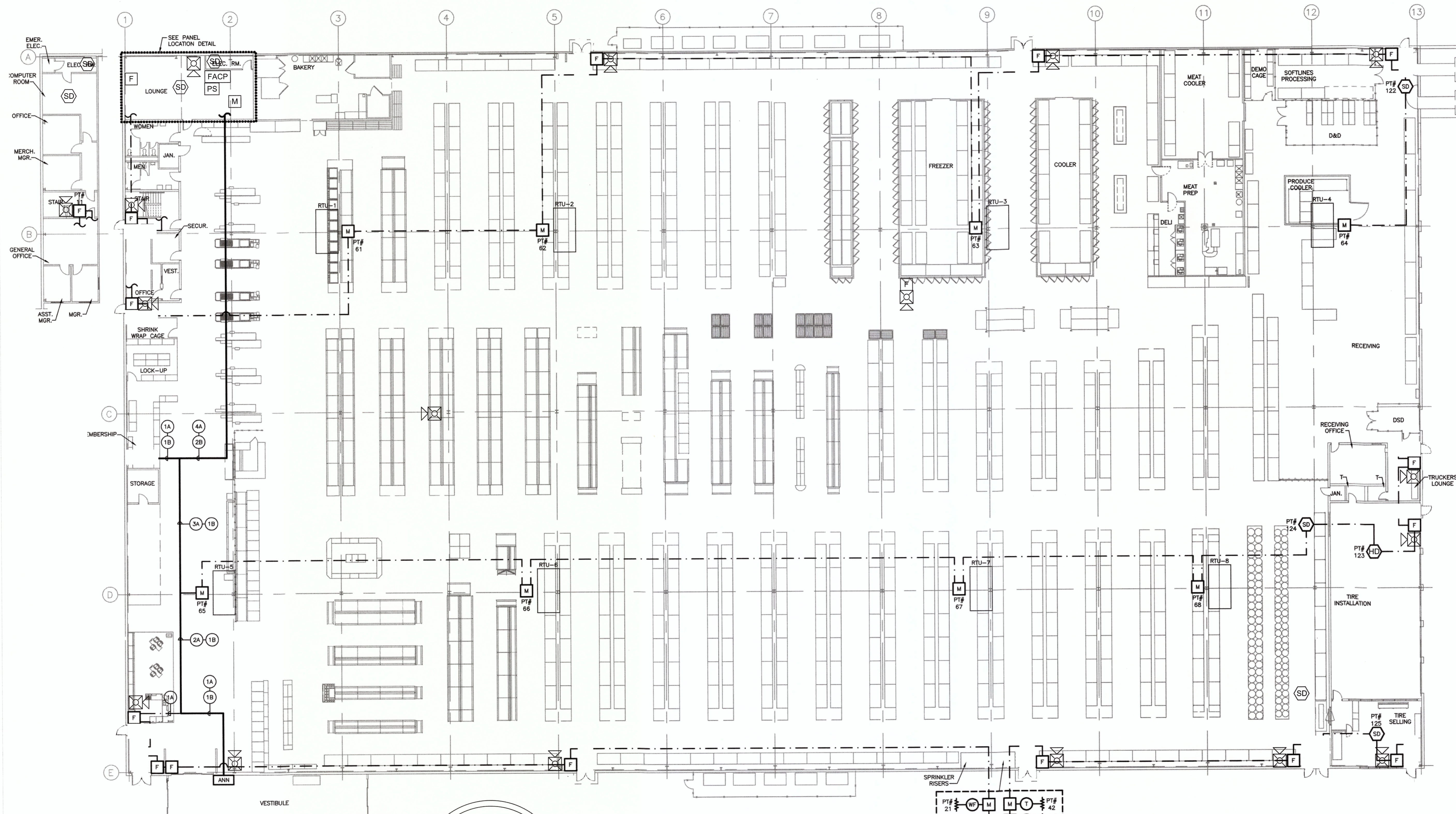
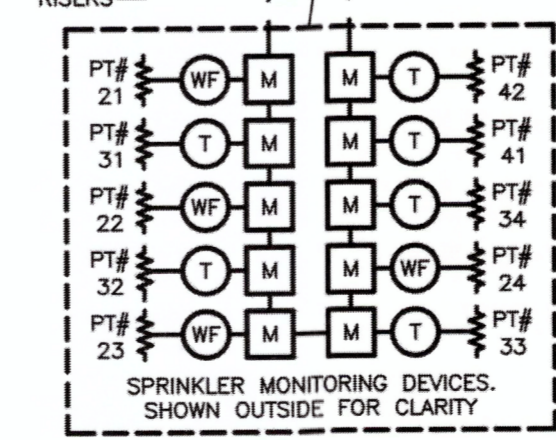


DEAN & ALLYN, INC.

116 Lewiston Road
Gray, ME



PREPARED AND APPROVED BY
GARY J. EMOND
NICET LEVEL IV
SET #74053



NO.	REVISION/ISSUE	DATE

PROJECT NAME
BJ'S WHOLESALE
PORTLAND, ME

FILE
BJ WHOLESALE.DWG

DRAWN BY
B. G.

DATE
NOVEMBER 19, 2014

CHECKED BY
G. E.

DATE
NOVEMBER 19, 2014

SCALE
N/A

SHEET

FA-1

PAGE 2 OF 3