



ARCHITECTURAL GROUP INTERNATIONAL
 15 West Boreas Street, Covington, KY 41011
 P: 502-461-6100 F: 502-461-6585
 www.lgi.com

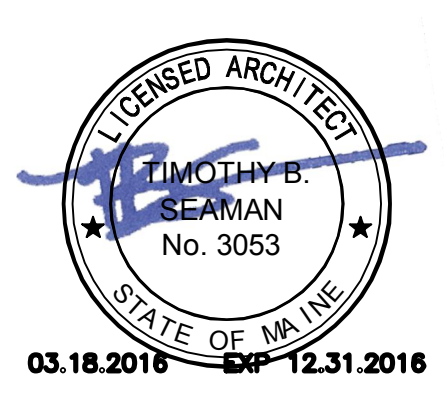
designing where you want to go.



KOHR'S LONNEMANN HEIL
 ENGINEERS, P.S.C.
 MECHANICAL/ELECTRICAL ENGINEERS
 1538 ALEXANDRIA PIKE, STE. 11
 FT. THOMAS, KENTUCKY 41075
 800-354-8753
 859-442-8055
 859-442-8555 FAX

Revisions

| # | Date | Title |
|------------|------|------------------|
| 03/14/2016 | | for REVIEW |
| 03/18/2016 | | for PERMIT / BID |

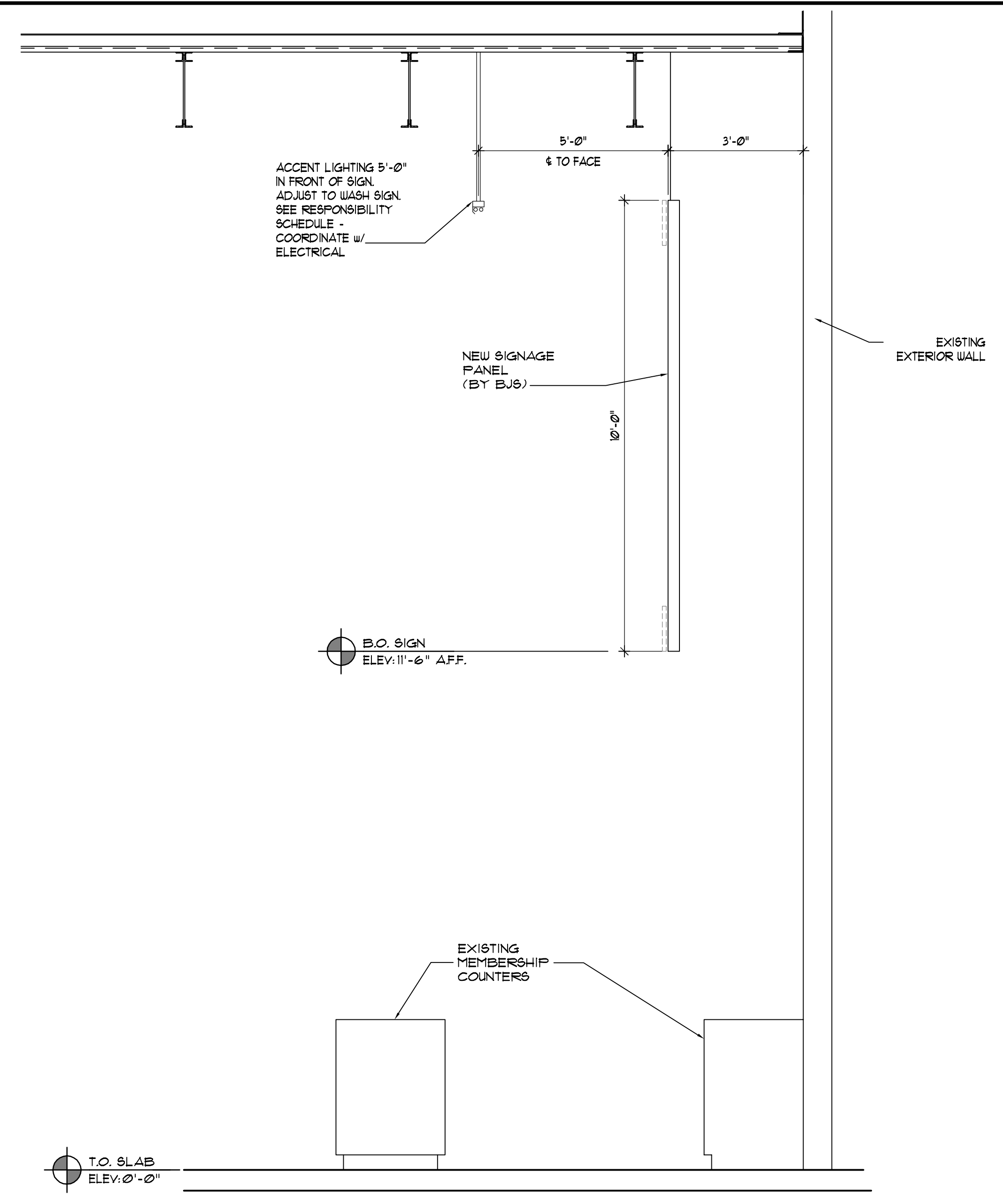


BUS WHOLESale CLUB
 #029
 PORTLAND ME

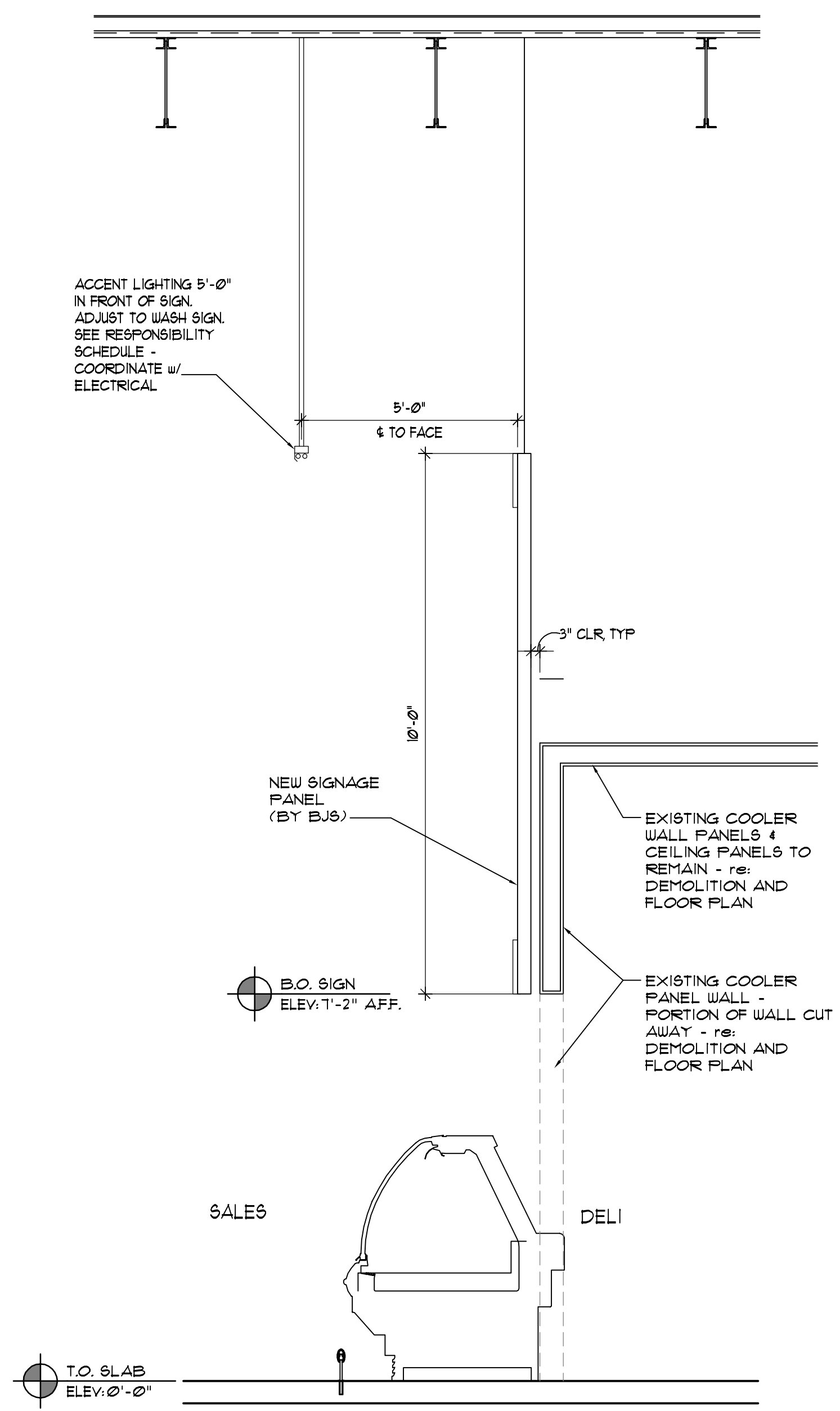
DATE: 03.18.2016 PROJECT NO.: 16-0113

SHEET TITLE
**WALL SECTIONS
 (INTERIOR
 SIGN PANELS)**

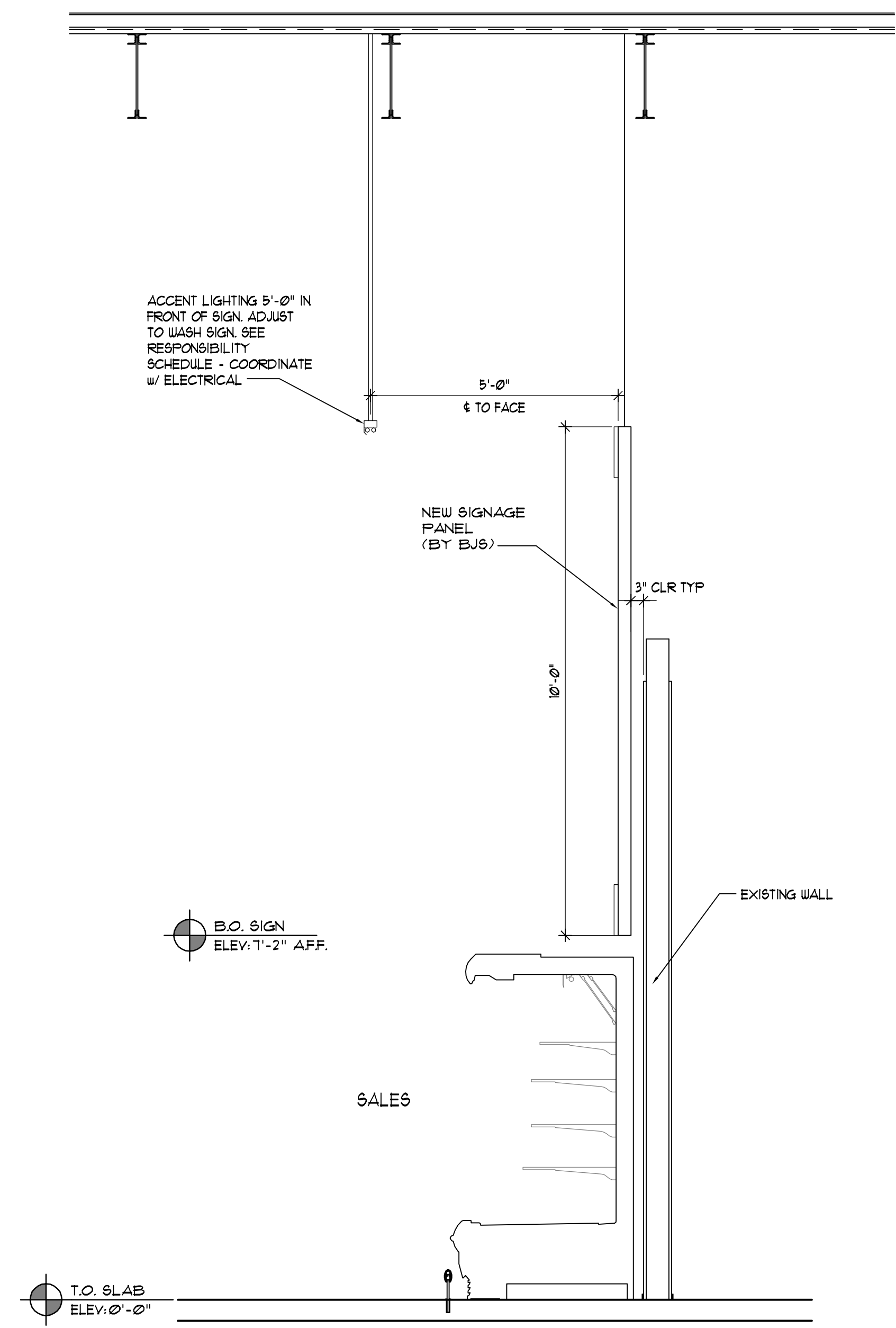
SHEET NUMBER
A600



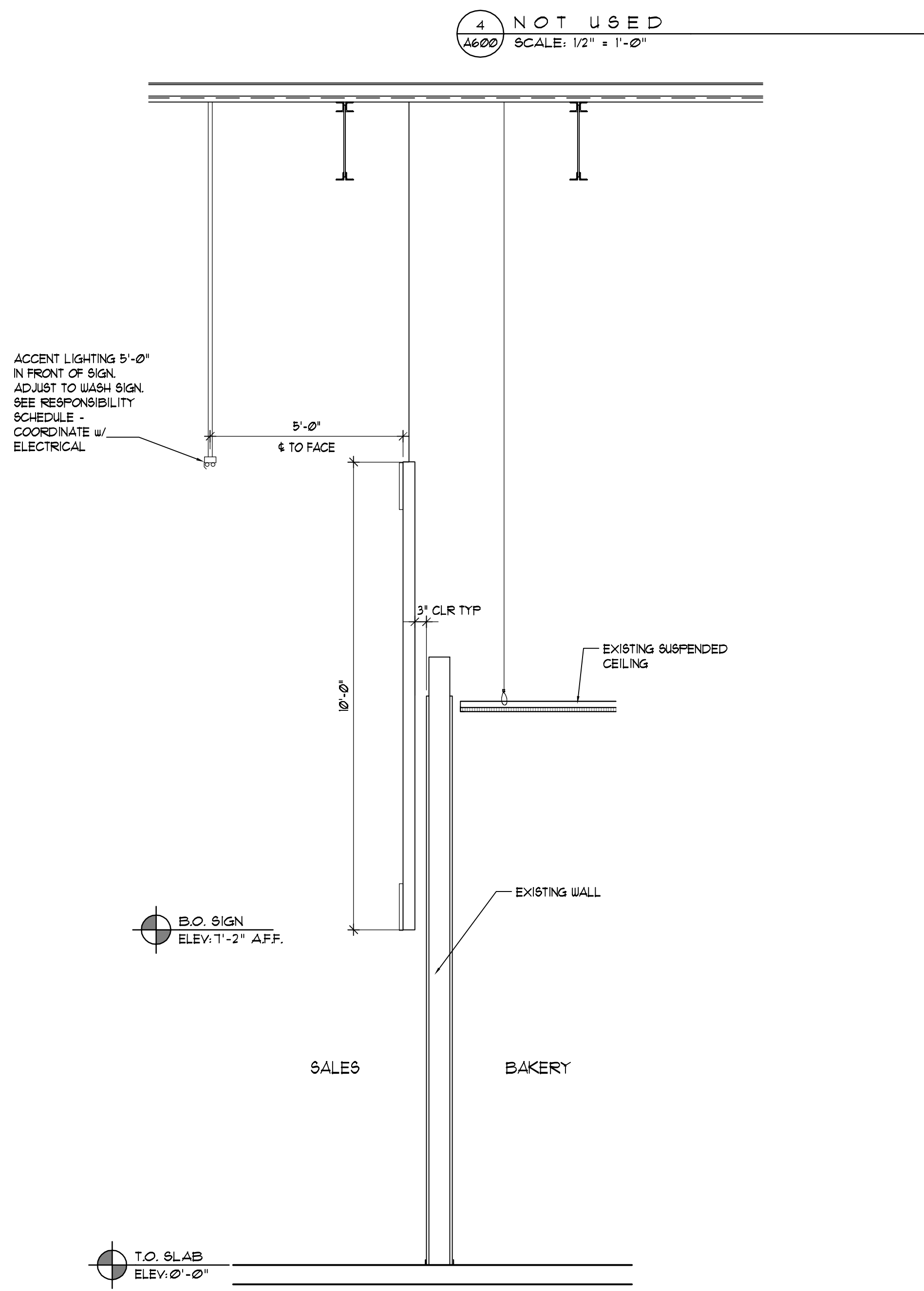
5 SECTION - NEW HANGING SIGN @ MEMBERSHIP DESK
 SCALE: 1/2" = 1'-0"



2 SECTION - NEW SIGN @ DELI
 SCALE: 1/2" = 1'-0"



1 SECTION - NEW SIGN AT FRESH MEATS
 SCALE: 1/2" = 1'-0"



3 SECTION - NEW SIGN @ BAKERY
 SCALE: 1/2" = 1'-0"

4 NOT USED
 SCALE: 1/2" = 1'-0"