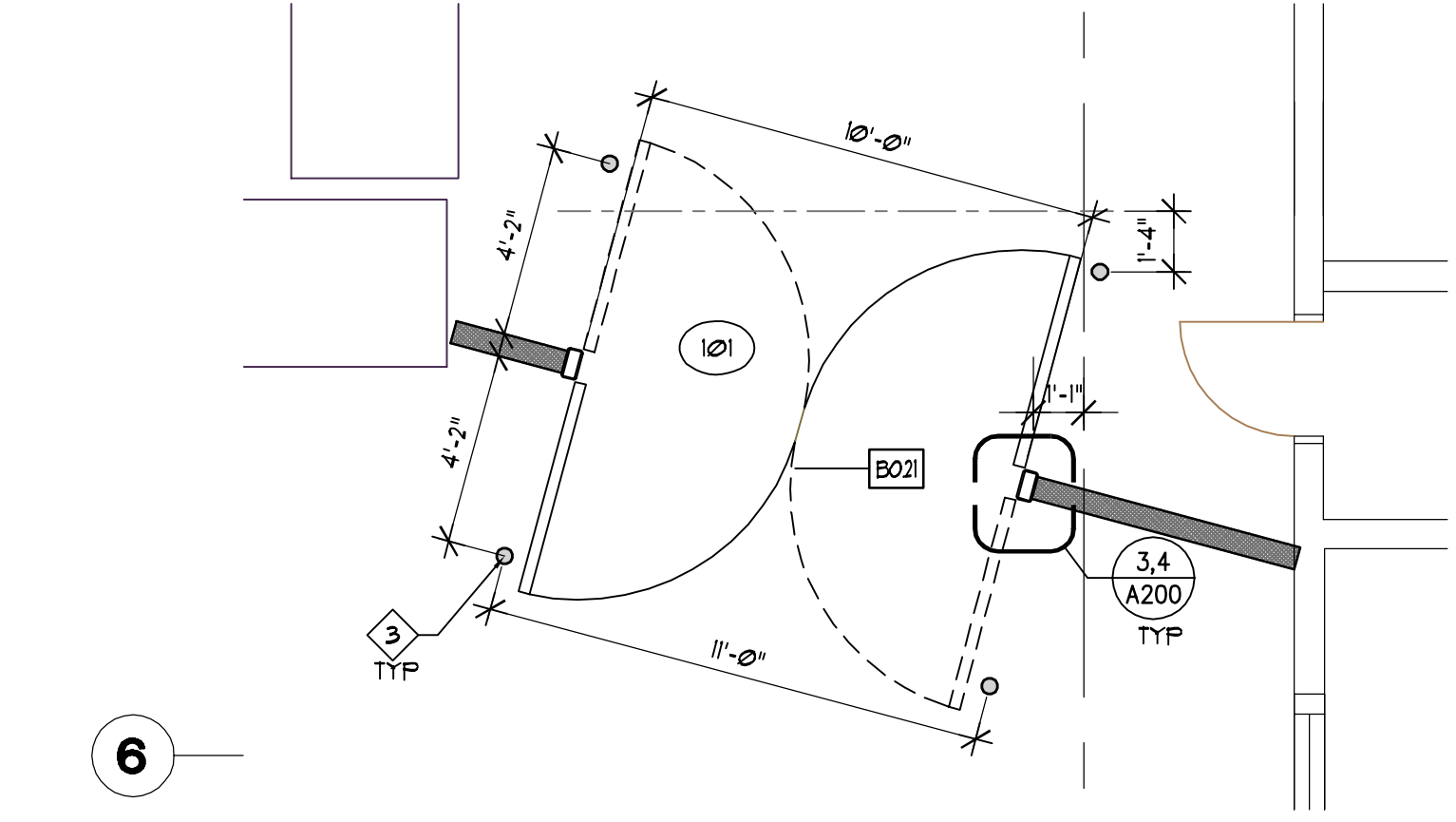


3 ENLARGED FLOOR FINISH PLAN - MEAT PREP - DELI - ROTISSERIE CHICKEN  
SCALE: 1/4" = 1'-0"

4 ENLARGED REFLECTED CEILING PLAN - MEAT PREP - DELI - ROTISSERIE CHICKEN  
SCALE: 1/4" = 1'-0"

1 ENLARGED FLOOR PLAN - MEAT PREP - DELI - ROTISSERIE CHICKEN  
SCALE: 1/4" = 1'-0"



2 ENLARGED FLOOR PLAN - IMPACT DOORS  
SCALE: 1/4" = 1'-0"

CHICKEN EQUIPMENT SCHEDULE									
ITEM #	QTY.	EXIST.	NEW	DESCRIPTION	MANUFACTURER	MODEL NO.	REMARKS	SUPPLIED BY	INSTALLED BY
C4	1	0	1	CHICKEN OVEN	HARDT			BU'S	GC
C4	1	0	1	RECIPIER FOR SINGLE OVEN	HARDT	2609		BU'S	GC
C1	1	0	1	GREASE INTERCEPTOR			SEE MEP DRAWINGS FOR INFORMATION	GC	GC
C8	1	0	1	WORK TABLE	WIN-HOLT		30" x 72"	BU'S	GC

DELI EQUIPMENT SCHEDULE									
ITEM #	QTY.	EXIST.	NEW	DESCRIPTION	MANUFACTURER	MODEL NO.	REMARKS	SUPPLIED BY	INSTALLED BY
D1	1	0	1	SLICER	BIZERRA	GSP-H		BU'S	GC
D2	1	0	1	SERVICE SCALE / PRINTER	HOBBART	QUANTUM		BU'S	GC
D3	1	0	1	SLICER MOUNTING STAND	MIE MFG. CO INC	825-11B		BU'S	GC
D4	2	0	2	ENCLOSED CAB/WORKTABLE	WIN-HOLT	STCT-BO3072	30" x 72"	BU'S	GC
D8	1	0	1	TABLE TOP URAP STATION	WIN-HOLT		30" x 72"	BU'S	GC

MEAT PREP EQUIPMENT SCHEDULE									
ITEM #	QTY.	EXIST.	NEW	DESCRIPTION	MANUFACTURER	MODEL NO.	REMARKS	SUPPLIED BY	INSTALLED BY
M1	1	0	1	MEAT SAW				BU'S	GC
M2	1	0	1	MIXER / GRINDER				BU'S	GC
M3	1	0	1	WRAPPER STATION - R TO L				BU'S	GC
M6	1	0	1	HAND URAP STATION	HEAT SEAL	1074		BU'S	GC
M1	1	0	1	SERVICE SCALE / PRINTER	HOBBART	QUANTUM		BU'S	GC
M9	1	0	1	WORK TABLE W/ POLY TOP AND BACKSLASH	WIN-HOLT	DPFB-3072		BU'S	GC
M10	2	0	2	WORK TABLE W/ POLY TOP	WIN-HOLT	DPTR-3072		BU'S	GC
M2	1	0	1	CHICKEN PREP TABLE	HARDT	5260		BU'S	GC
M9	1	0	1	CUBER				BU'S	GC
M6	1	0	1	WORK TABLE				BU'S	GC

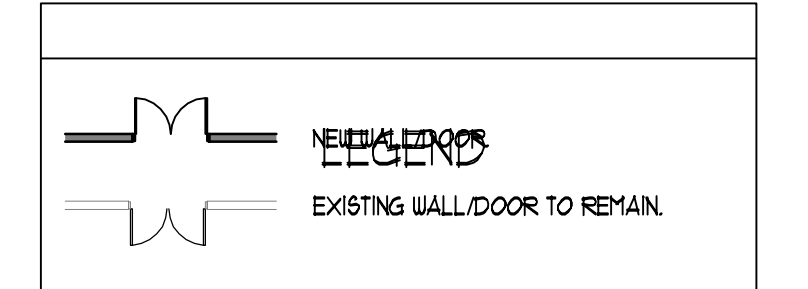
PLUMBING EQUIPMENT SCHEDULE									
ITEM #	QTY.	EXIST.	NEW	DESCRIPTION	MANUFACTURER	MODEL NO.	REMARKS	SUPPLIED BY	INSTALLED BY
B1	2	0	2	HAND SINK	AMETEKCO	DHSD	SIDE SPLASH EACH SIDE	BU'S	GC
B4	1	0	1	1 TUB PREP SINK, RT DRAIN BOARD	AMETEKCO	D068-39	SINGLE DRAIN BOARD, RIGHT	BU'S	GC
B9	1	0	1	1 TUB PREP SINK, LT DRAIN BOARD	AMETEKCO		EXISTING, RELOCATED	BU'S	GC
B6	1	0	1	SMALL 3 TUB POT SINK	AMETEKCO		DOUBLE DRAIN BOARD	BU'S	GC

**FLOOR FINISH NOTES**  
 1. PROVIDE NEW STAINED CONCRETE FLOOR ON EXISTING CONCRETE SLAB IN THE 'CHICKEN ROTISSERIE' ROOM.

**CEILING FINISH NOTES**  
 1. INDEPENDENTLY SUSPENDED CEILING (TYP) - 2x4 WHITE WASHABLE VINYL ACROUSTICAL CEILING TILE, TYP.  
 2. EXISTING COOLER CEILING TO REMAIN - PATCH & PAINT TO MATCH ADJACENT EXISTING.

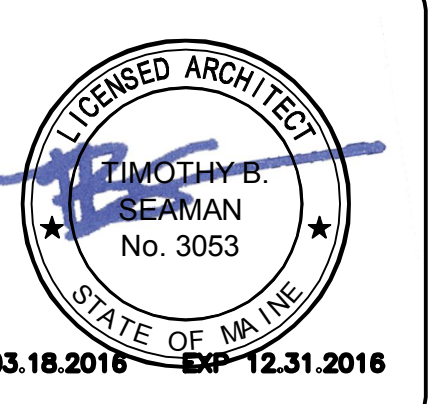
- KEYED NOTES**
- 1. NEW/RELOCATED FIXTURES COORDINATE WITH MEP DRAWINGS FOR ADDITIONAL REQUIREMENTS AND COORDINATION.
  - 2. NEW BUPPER RAIL. SEE DETAILS SHEET FOR INSTALLATION NOTES.
  - 3. NEW 45" DIA 31" HIGH STEEL BOLLARD. SEE DETAILS SHEET FOR ADDITIONAL INFORMATION AND INSTALLATION NOTES.
  - 4. NOT USED.
  - 5. NEW 8" HIGH GUARDRAIL. SEE DETAILS SHEET A200 FOR ADDITIONAL INFORMATION AND INSTALLATION NOTES.
  - 6. NEW ROTISSERIE OVEN AND EXHAUST HOOD. COORDINATE WITH MEP DRAWINGS FOR ADDITIONAL INFORMATION.
  - 7. INSTALL 24 GA STAINLESS STEEL PANELS FLOOR TO CEILING OVER COOLER PANEL WALLS TO EXTENTS SHOWN. COORDINATE WITH DETAIL ON MECHANICAL PLANS.
  - 8. NEW DOUBLE SWING DOOR TO BE PROVIDED AND INSTALLED BY COOLER PANEL MANUFACTURER.
  - 9. NOT USED.
  - 10. CALLK JOINT 8TU NEW CONCRETE SLAB INSTALLATION AND EXISTING SLAB.
  - 11. NEW CASK OPENING (48" x 80"). CUT OUT AND TRIMMED BY COOLER PANEL MANUFACTURER.
  - 12. EXISTING EQUIPMENT TO REMAIN.

- GENERAL NOTES**
- 1. GC TO INSTALL DELI/CHICKEN EQUIPMENT FURNISHED BY BU'S WHOLESALE CLUB.
  - 2. GC TO INSTALL FRESH MEATS EQUIPMENT FURNISHED BY BU'S WHOLESALE CLUB.
  - 3. SEE SHEET A200 FOR WALL TYPES.



**Revisions**

#	Date	Title
03/18/2016		for REVIEW
03/18/2016		for PERMIT / BID



Client:  
**BU'S WHOLESALE CLUB**  
 www.bussclub.com

**BU'S WHOLESALE CLUB**  
 #029  
 PORTLAND ME

DATE: 03.18.2016 PROJECT NO.: 160113

SHEET TITLE  
**ENLARGED PLANS**

SHEET NUMBER  
**A501**