

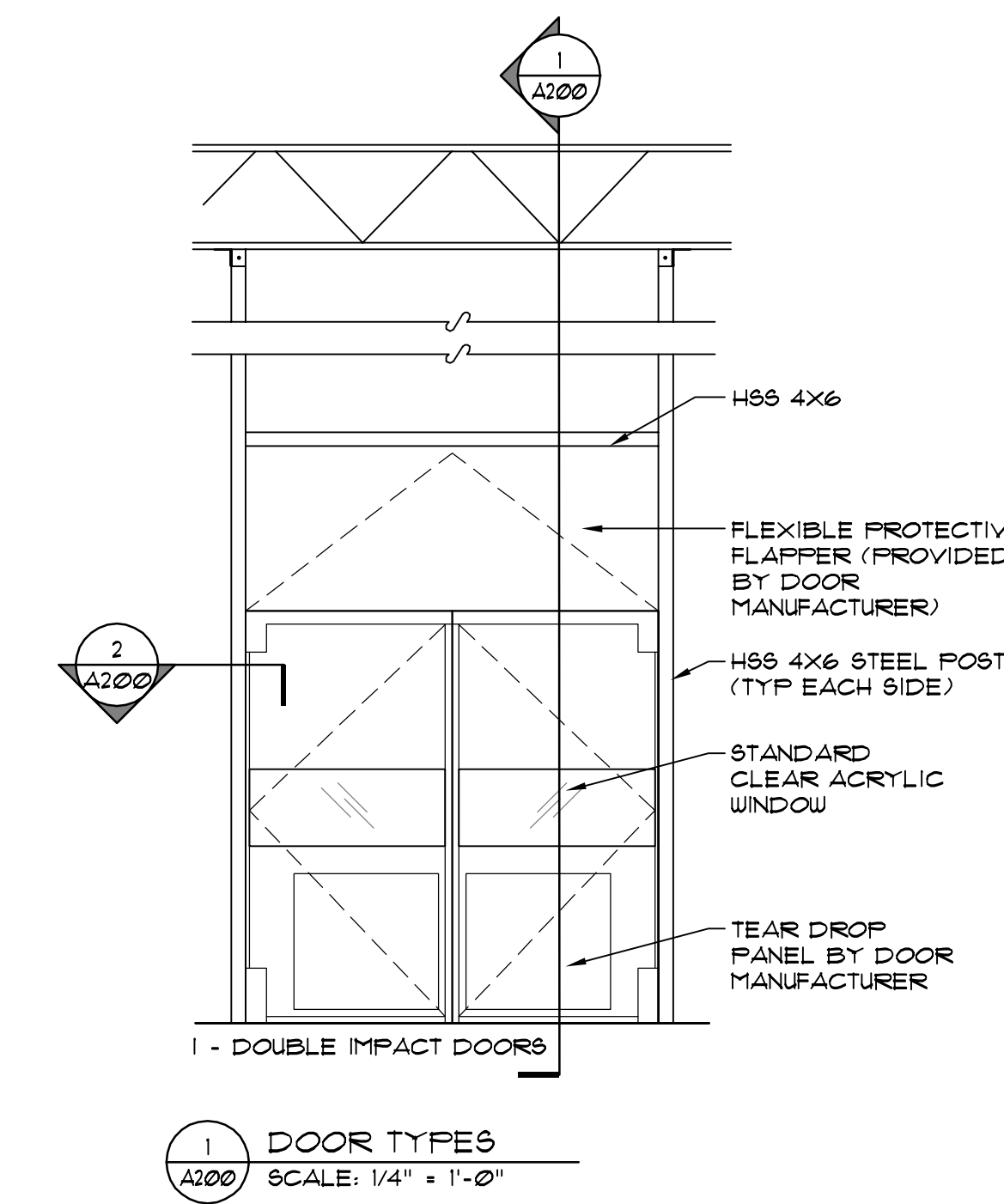
DOOR SCHEDULE															
DOOR #	LOCATION	TYPE	MATERIAL	DOOR			THICKNESS	FRAME		SECTIONS (SEE DETAIL # ON A301)			HARDWARE SET	NOTES	DOOR #
				LEAF	Width	Height		TYPE	MATERIAL	HEAD	JAMB	SILL			
101	STAGING	1	POLY	2	10' - 0"	10' - 0"							-	1	101
102	STAGING	1	POLY	2	8' - 0"	10' - 0"			STL				-	1	102
103	CHICKEN			1	3' - 6"										103

1. 101 AND 102 IS SUPPLIED BY BJ'S AND INSTALLED BY GC.
2. 103 IS SUPPLIED AND INSTALLED BY BJ'S

DOOR SCHEDULE NOTES

KEYED NOTES

- HIGH IMPACT DOORS WITH STEEL SUPPORT FRAME. SEE STRUCTURAL FOR STEEL SUPPORT FRAME. 10' H DOOR WITH 4' H TRANSOM.

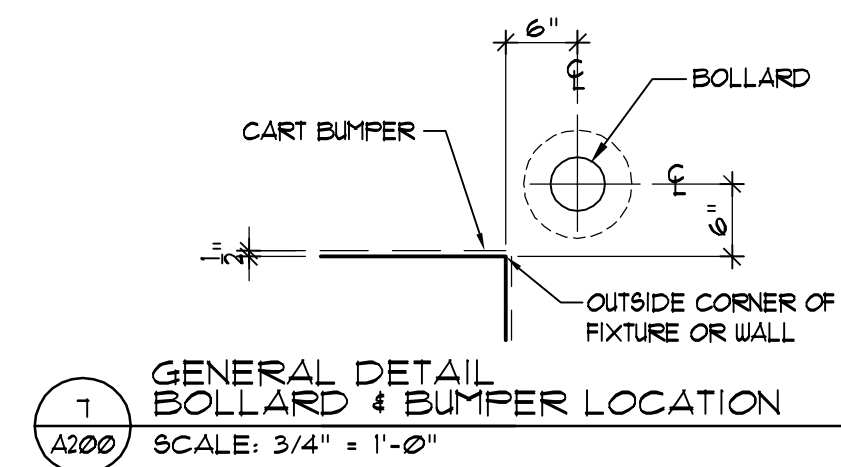


INTERIOR PARTITION SCHEDULE

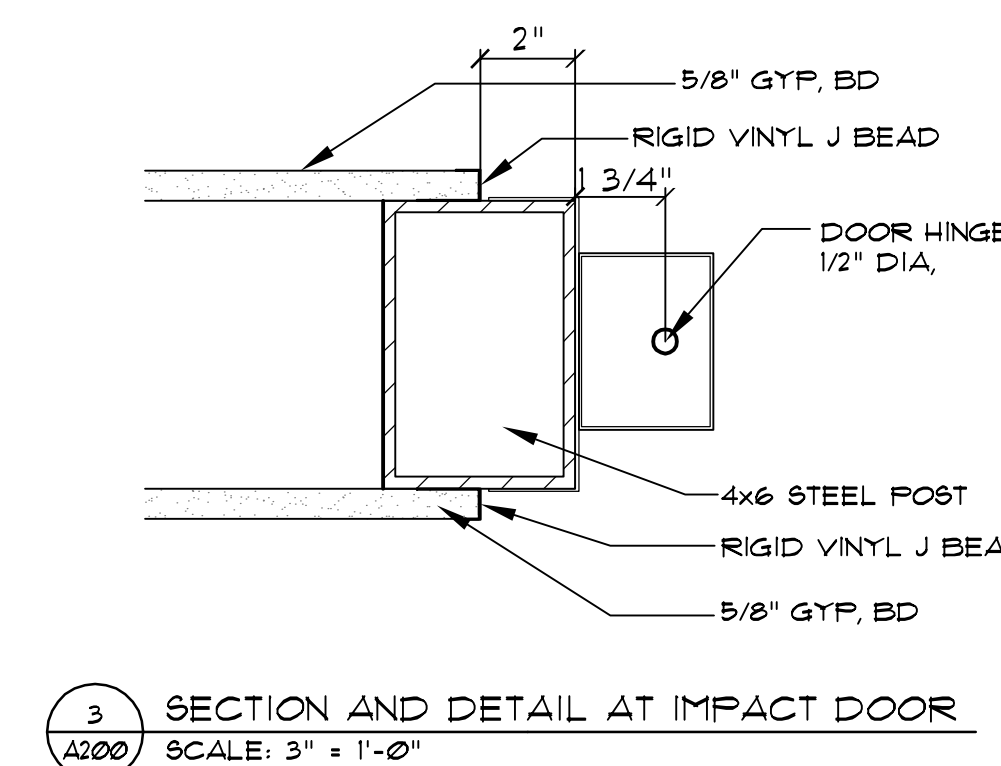
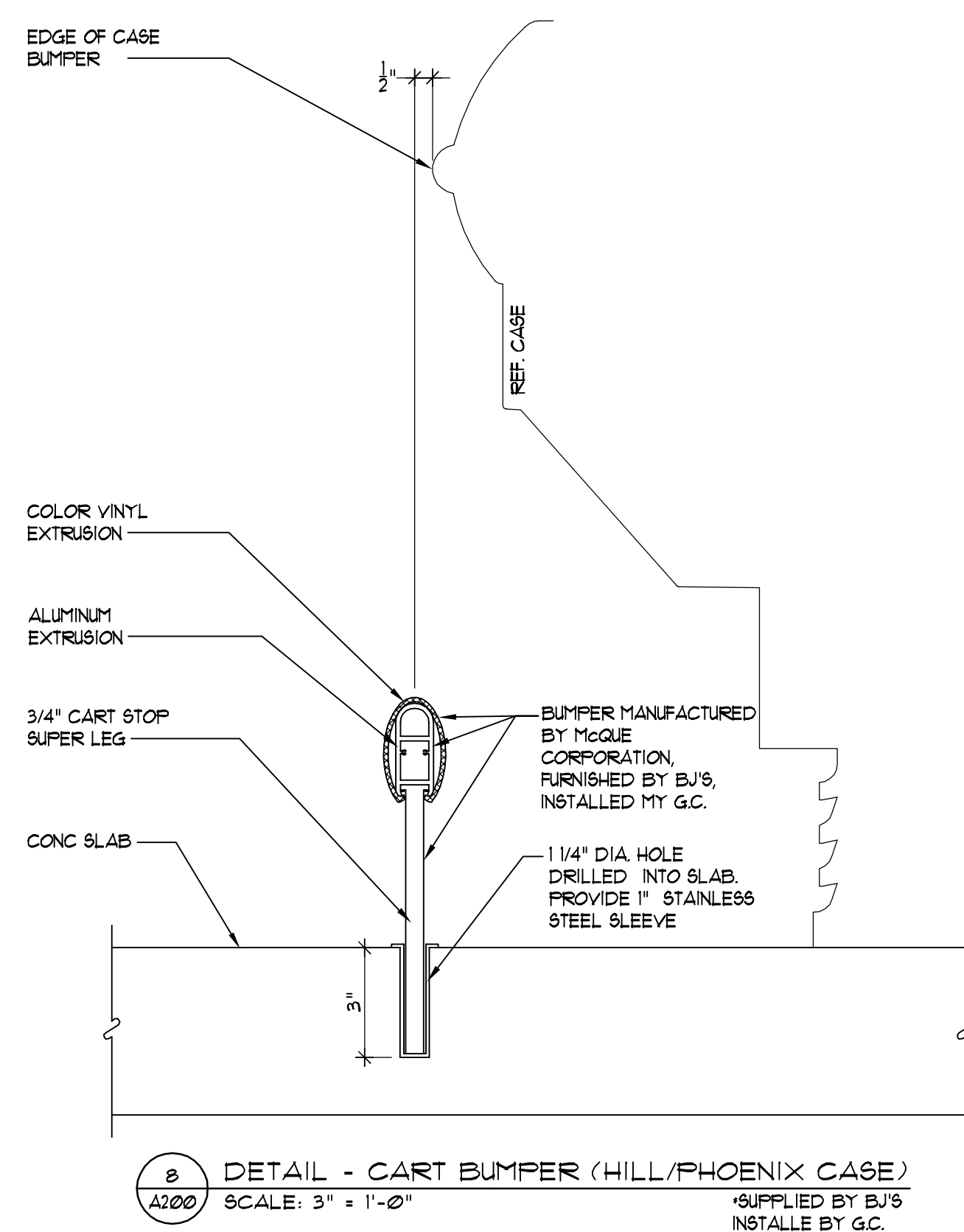
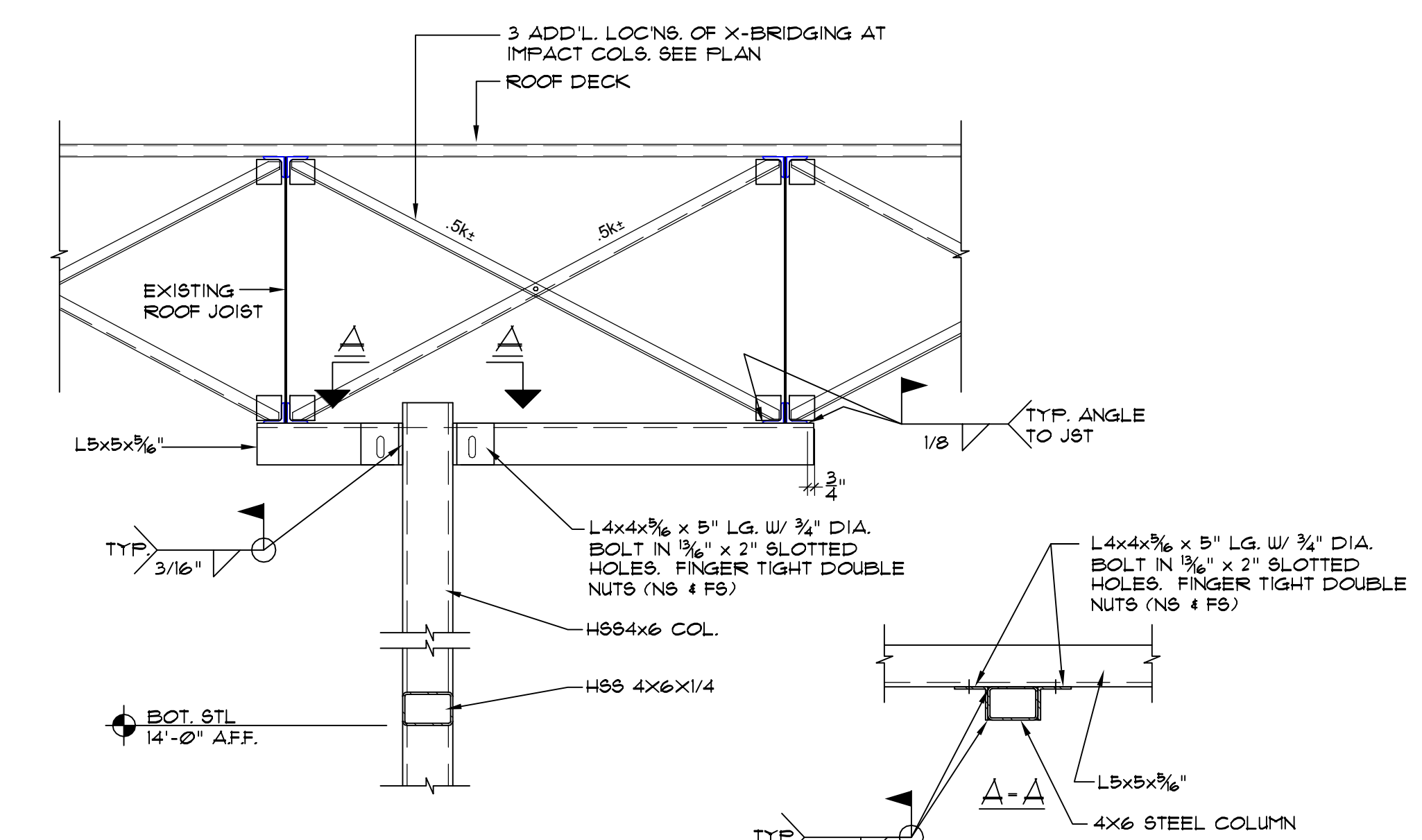
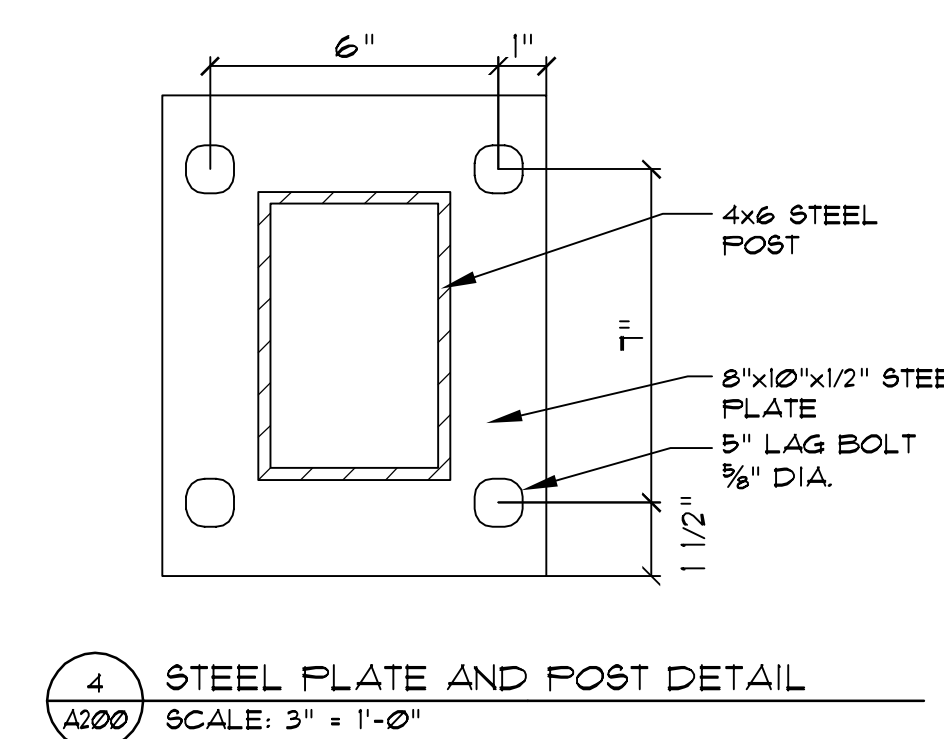
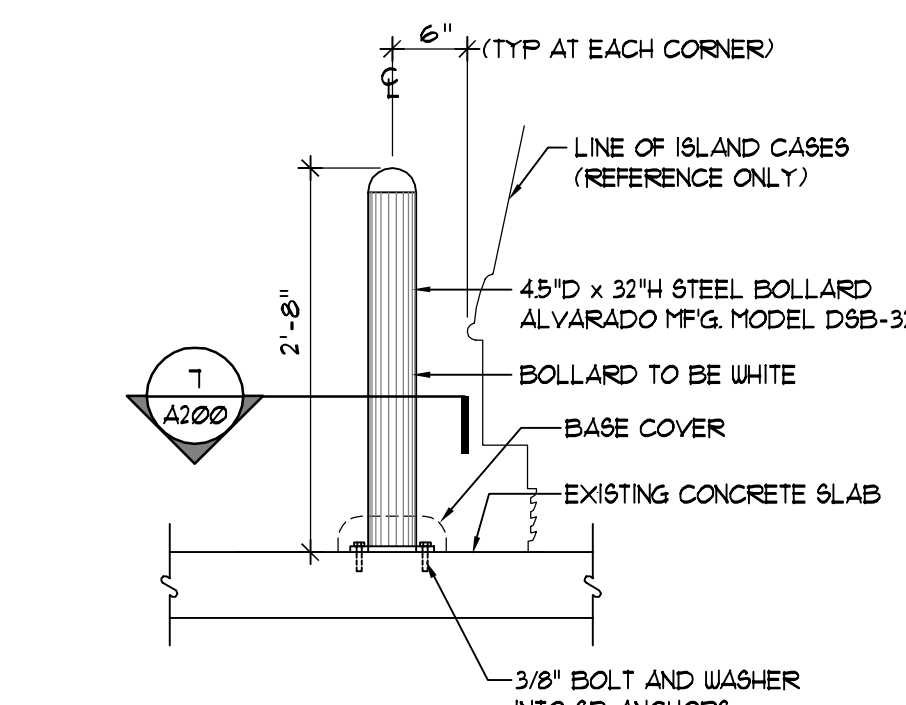
WALL TAG	DESCRIPTION
B01	2x4 METAL STUDS @ 12" O.C. FROM FLOOR SLAB TO 10'-0" AFF (UNLESS NOTED OTHERWISE) INSTALL ONE LAYER OF 1/2" GYP. BD. FULL HEIGHT OF STUDS OR 6" (MIN) ABOVE ADJACENT CEILING ON EACH SIDE. INSTALL ONE LAYER OF FRP OVER GUB ON WALLS EXPOSED TO PREP AREAS OR RESTROOMS. WHERE TILE IS NOT PRESENT, TYP.
B02	6" METAL STUDS @ 16" O.C. FROM FLOOR SLAB TO 10'-0" AFF (UNLESS NOTED OTHERWISE) INSTALL ONE LAYER OF 5/8" GYP. BD. FULL HEIGHT OF STUDS OR 6" (MIN) ABOVE ADJACENT CEILING ON EACH SIDE. INSTALL ONE LAYER OF FRP OVER GUB ON WALLS EXPOSED TO PREP AREAS OR RESTROOMS. WHERE TILE IS NOT PRESENT, TYP.
B03	PREFINISHED COOLER PANEL, (3 1/2" FOR COOLERS, 5" FOR FREEZERS) - PROVIDED AND INSTALLED BY OTHERS.

PARTITION NOTES

- STUD GAUGE SHALL BE PER MANUFACTURERS RECOMMENDATIONS, BASED UPON HEIGHT, APPLICABLE CODES AND THE U.S. GYPSUM BOARD INSTITUTE, U.N.O. IN NO CASE SHALL THE STUD GAUGE BE LESS THAN 20" GAUGE.
- GYP. BD. SHALL BE MOISTURE RESISTANT IN AREAS SUBJECT TO MOISTURE.
- PROVIDE FRP, WOOD BLOCKING IN PARTITIONS FOR SUPPORT OF ALL WALL MOUNTED ACCESSORIES AND FIXTURES.
- PROVIDE FRP OVER GUB ON WALLS FACING PREP AREAS, TYP.
- GUB AND MTL STUD WALLS TO HAVE (MIN) ONE LAYER OF GALVANIZED WIRE MESH PANEL SCREWED TO STUDS EVERY 16" O.C. HORIZ AND VERT.
- COVE BASE TO MATCH QU TILE AT ALL WALL LOCATIONS w/ QUARRY TILE FLOORS.



D&B BOLLARD MANUFACTURER
ALVARADO MANUFACTURING CO.
10660 COLONY ST.
CHINO, CA 91710
PH: 909-591-8431



ARCHITECTURAL GROUP INTERNATIONAL
15 West Rowland Street, Covington, KY 41011
P: 502-461-4400 F: 502-461-6590
www.agi-usa.com

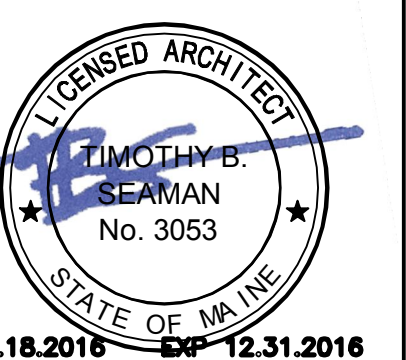
designing where you want to go.



KOHR'S LONNEMANN HEIL
ENGINEERS, P.S.C.
MECHANICAL/ELECTRICAL ENGINEERS
1538 ALEXANDRIA PIKE, STE. 11
FT. THOMAS, KENTUCKY 41075
800-334-9783
859-442-8056
859-442-8055 FAX

Revisions

#	Date	Title
03/14/2016	for REVIEW	
03/18/2016	for PERMIT / BID	



Client:
BJ'S WHOLESALE CLUB

BUS WHOLESALE CLUB #029
PORTLAND ME

DATE: 03.18.2016 PROJECT NO.: 162013

SHEET TITLE:
PARTITION, DOOR SCHEDULES & DETAILS

SHEET NUMBER:
A200