



SUBMITTAL DATA

For: Approval

Order #: _____ **Date:** 7/23/2012
Project: BJ'S #29 Portland, ME Rev1
Project #: JC072312A
Location: Portland, ME
Unit Tags: RTU-1 thru 8, RTU-1 thru 8, RTU-1 thru 8, RTU-1 thru 8, RTU-1 thru 8,
RTU-9, RTU-9, RTU-9, RTU-1 thru 9

Engineer: Jim Hoffman
Engineered Design Group
11 Mechanic Street
Freehold, NJ 07728

Purchaser: George Archambeault
BJ's Wholesale Club, Inc.
25 Research Drive P.O. Box 5230
Westborough, MA 01581

Submitter: Julian Campos
York / JCI
5005 York Drive
Norman, OK 73069
405-419-6514

Engineered Design Group

Comments made on this shop drawing do not relieve the contractor from full compliance with the requirements of the project drawings and specifications. The contractor is responsible for: confirming and correlating all quantities and dimensions; coordinating his work with that of all other trades; performing his work in a safe and satisfactory manner; and completing work in a manner acceptable to all local and state codes and requirements.

REVIEWED
 REJECTED
 REVISE & RESUBMIT
 SUBMIT SPECIFIED ITEM
 FURNISH AS CORRECTED



Date: 7-24-12 By: Brian Kennedy
Consulting Engineers

Date
 7/23/2012
Project Name
 BJS #29 Portland, ME Rev1
Project Number
 JC072312A
Client / Purchaser
 George Archambeault



Submittal Summary Page

Qty	Tag #	Model #	Description
8	RTU-1 thru 8	ZR240N24S4DZZ10003	20 Ton, York Large Sunline Single Packaged R-410A Air Conditioner, 12.1 EER / 12.9 IEER MagnaDRY with Reheat, 240 MBH Output Aluminized Steel, Two Stage Gas Heat, 10 HP High Static Belt Drive Blower, 2" Throwaway Filters, 460-3-60, Galvanized Steel Drain Pan <ul style="list-style-type: none"> • Single Enthalpy Economizer w/Barometric Relief and Hoods (Bottom return only) • Non Powered Convenience Outlet (110 VAC) • HACR Circuit Breaker/Disconnect • Phase Monitor • Hinged & Tool Free Filter, Blower, Motor and Electrical Access Panels
8	RTU-1 thru 8	1WS0404	Wood Skid - Allows unit to be handled with 90 inch forks
8	RTU-1 thru 8	2AQ04700424C	CO ² Control Kit - Unit Mounted with Mounting Hardware
8	RTU-1 thru 8	2DH04700024	De-Humidistat, used to control Humidity in a thermostat controlled Reheat unit
8	RTU-1 thru 8	2EC04700924	Dual Enthalpy Sensor
1	RTU-9	ZJ120C00P4DAA5	10 Ton, York Predator Single Packaged R-410A Air Conditioner, 12.0 EER / 12.2 IEER, No Factory Installed Heat, 3 HP High Static Belt Drive Blower, 2" Throwaway Filters, 460-3-60, Microchannel Condenser Coil, Composite Drain Pan <ul style="list-style-type: none"> • Single Enthalpy Economizer w/Barometric Relief and Hoods (Bottom Return Only) • Non Fused Disconnect Switch • Non Powered Convenience Outlet • Phase Monitor
1	RTU-9	2AQ04700424C	CO ² Control Kit - Unit Mounted with Mounting Hardware
1	RTU-9	2EC04700924	Dual Enthalpy Sensor
1	RTU-1 thru 9	COATING - FIELD	Field Applied Condenser Coil Coating (8) ZR240 (1)ZJ120

NOTES:

Curbs provided by others.

-Warranty on this equipment including labor, troubleshooting, travel time, start-up etc. is the responsibility of the installing contractor.

Equipment start-up and commissioning by a factory trained technician is recommended.
 Contact your supplying distributor or sales representative for additional information & guidance.



Large Sunline

ZR - 10.5 to 11.6 EER MagnaDry™ Single Pkg.
R-410A AC

Project Name: BJ'S #29 Portland, ME Rev1

Model #: ZR240N24S4DZZ10003

Quantity: 8 Tag #: RTU-1 thru 8

System: ZR240N24S4DZZ10003

Cooling Performance

Total capacity	258.1 MBH
Sensible capacity	189.9 MBH
Refrigerant type	R410A
Efficiency (at ARI)	12.10 EER
Integrated eff. (at ARI)	12.90 IEER
Ambient DB temp.	95 °F
Entering DB temp.	80 °F
Entering WB temp.	67 °F
Leaving DB temp.	58.0 °F
Leaving WB temp.	56.8 °F
Power input (w/o blower)	17.67 kW
Sound power	92 dB(A)

Reheat Performance

Total capacity	118.9 MBH
Ambient DB temp.	85 °F
Entering DB temp.	75 °F
Entering WB temp.	67 °F
Leaving DB temp.	75 °F
Leaving WB temp.	62.7 °F
Power input (w/o blower)	15.78 kW
Gallons of water per hour	13.57 gal/hr

Heating Performance

Entering DB temp.	60 °F
Heating output capacity (Max)	240 MBH
Heating input capacity (Max)	300 MBH
Leaving DB temp.	87.8 °F
Air temp. rise	27.8 °F
SSE	80.0 %
Stages	2

Supply Air Blower Performance

Supply air	8000 CFM
Ext. static pressure	0.8 IWG
Unit static resistance	0.15 IWG
Blower speed	1016 RPM
Duct location	Bottom
Motor rating	10.00 HP
Actual required BHP	6.71 HP
Power input	5.62 kW
Elevation	0 ft.
Drive type	BELT

Electrical Data

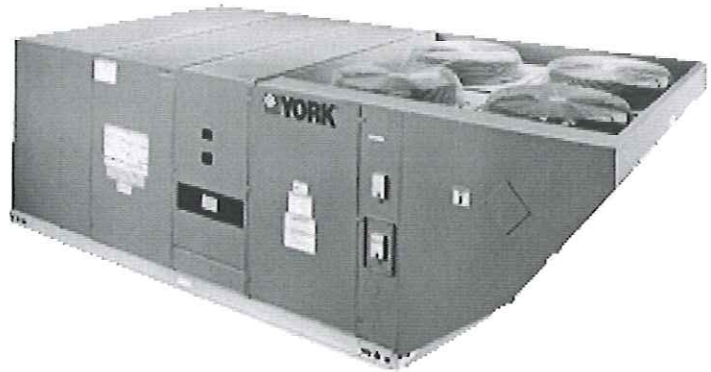
Power supply	460-3-60
Unit min circuit ampacity	58.50 Amps
Unit max over-current protection	70 Amps

Dimensions & Weight

Hgt	53 in.	Len	181 in.	Wth	92 in.
Weight with factory installed options	3025 lbs.				

Clearances

Right	36 in.	Front	36 in.	Back	49 in.
Top	72 in.	Bottom	0 in.	Left	36 in.



20 Ton

- York Sunline Units are Manufactured at an ISO 9001 Registered Facility and Each Rooftop is Completely Computer-Run Tested Prior to Shipment.

Unit Features

- Unit Cabinet Constructed of Powder Painted Steel, Certified At 1000 Hours Salt Spray Test (ASTM B-117 Standards).
- Through-the-Curb and Through-The-Base Utility Connections
- Either Supply and/or Return can be Field Converted from Vertical to Horizontal Configuration without Cutting Panels
- Full Perimeter Base Rails with Built in Rigging Capabilities
- Hinged & Tool Free Filter, Blower, Motor and Electrical Access Panels
- Galvanized Steel Drain Pan
- Dual Refrigerant Circuits for Efficient Part Load Operation with Scroll Compressors
- Solid Core Liquid Line Filter Driers
- 240 MBH Output Aluminized Steel, Two Stage Gas Heat
- 10 HP High Static Belt Drive Blower
- Unit Ships with 2" Throwing Filters with a Standard Filter Rack That Will Accept up to 4" Filters
- Single Point Power Connection
- HACR Circuit Breaker/Disconnect
- Non Powered Convenience Outlet (110 VAC)
- Phase Monitor
- Single Enthalpy Economizer w/Barometric Relief and Hoods (Bottom return only)

Standard Unit Controller: Simplicity® Control Board

- An Integrated Low-Ambient Control, Anti-Short Cycle Protection, Lead-Lag, Fan on and Fan off Delays, Low Voltage Protection, On-Board Diagnostic and Fault Code Display.
- Safety Monitoring - Monitors the High and Low-Pressure Switches, the Freezestats, the Gas Valve, if Applicable, and the Temperature Limit Switch on Gas and Electric Heat Units. The Unit Control Board will Alarm on Ignition Failures, Safety Lockouts and Repeated Limit Switch Trips.

Warranty

- One (1) Year Limited Warranty on the Complete Unit
- Five (5) Year Warranty - Compressors and Electric Heater Elements
- Ten (10) Year Warranty - Aluminized and Stainless Steel Tubular Heat Exchangers





Large Sunline

ZR - 10.5 to 11.6 EER MagnaDry™ Single Pkg.
R-410A AC

Project Name: BJ'S #29 Portland, ME Rev1

Model #: ZR240N24S4DZZ10003

Quantity: 8 Tag #: RTU-1 thru 8

System: ZR240N24S4DZZ10003

Factory Installed Options

ZR240N24S4DZZ10003

Product Category:	Z	York Large Sunline Single Packaged R-410A Air Conditioner
Product Identifier:	R	12.1 EER / 12.9 IEER MagnaDRY with Reheat
Nominal Cooling Capacity:	240	20 Ton
Heat Type and Nominal Heat Capacity:	N24	240 MBH Output Aluminized Steel, Two Stage Gas Heat
Airflow:	S	Single Enthalpy Economizer w/Barometric Relief and Hoods (Bottom return only) 10 HP High Static Belt Drive Blower 2" Throwaway Filters
Voltage:	4	460-3-60
Installation Options:	D	Non Powered Convenience Outlet (110 VAC) HACR Circuit Breaker/Disconnect
Additional Options:	ZZ	Phase Monitor Galvanized Steel Drain Pan Hinged & Tool Free Filter, Blower, Motor and Electrical Access Panels
Product Generation:	1	

Field Installed Accessories

- 1WS0404 - Wood Skid - Allows unit to be handled with 90 inch forks (210.0 lbs)
- 2AQ04700424C - CO2 Control Kit- Unit Mounted with Mounting Hardware (5.0 lbs)
- 2DH04700024 - Dehumidistat Humidity Control (1.0 lbs)
- 2EC04700924 - Dual Enthalpy Kit for Return Air (1.0 lbs)



Large Sunline

ZR - 10.5 to 11.6 EER MagnaDry™ Single Pkg.
R-410A AC

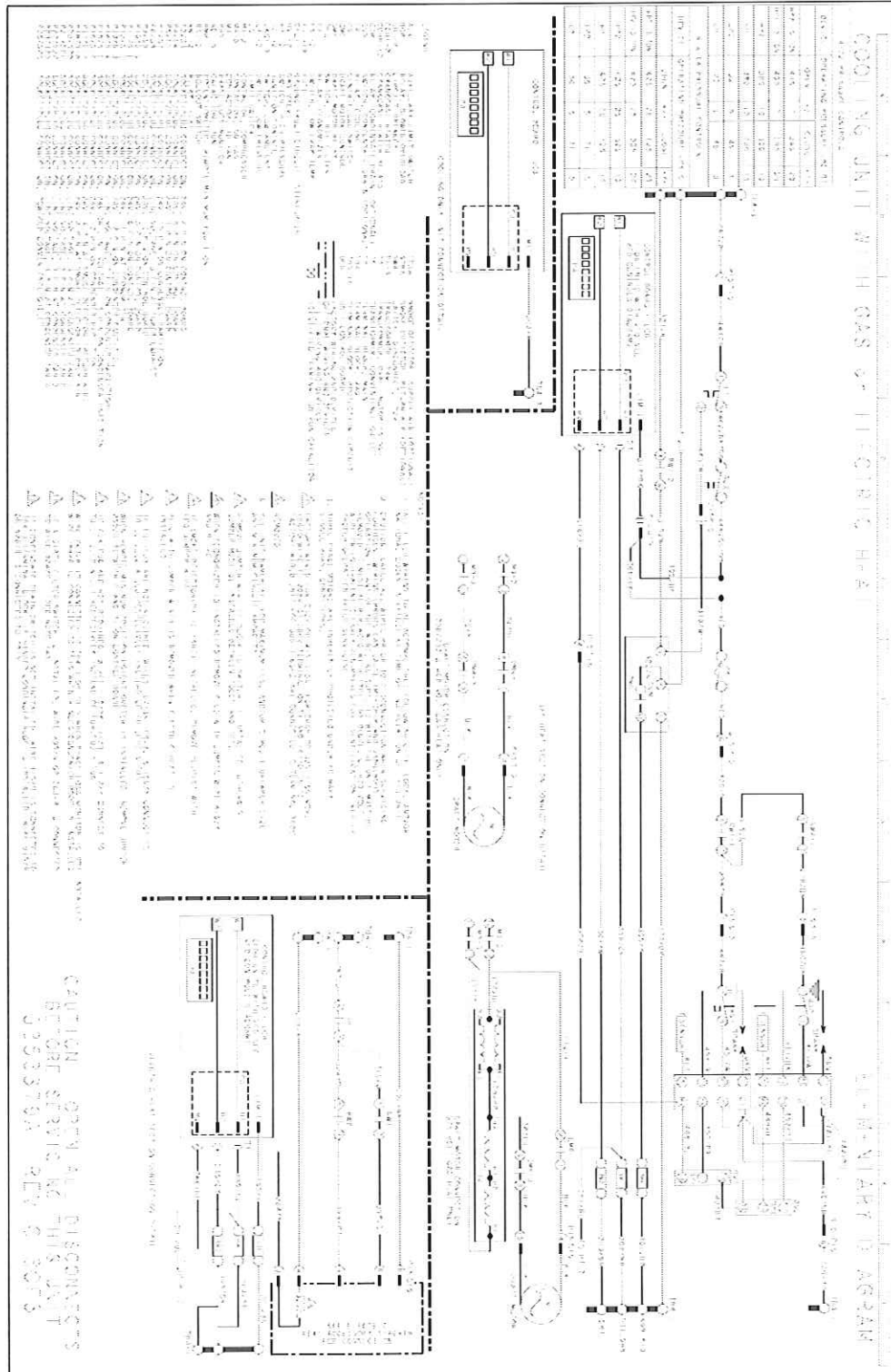
Project Name: BJ'S #29 Portland, ME Rev1

Model #: ZR240N24S4DZZ10003

Quantity: 8 Tag #: RTU-1 thru 8

System: ZR240N24S4DZZ10003

Wiring Diagram 353379 3 of 3





Large Sunline

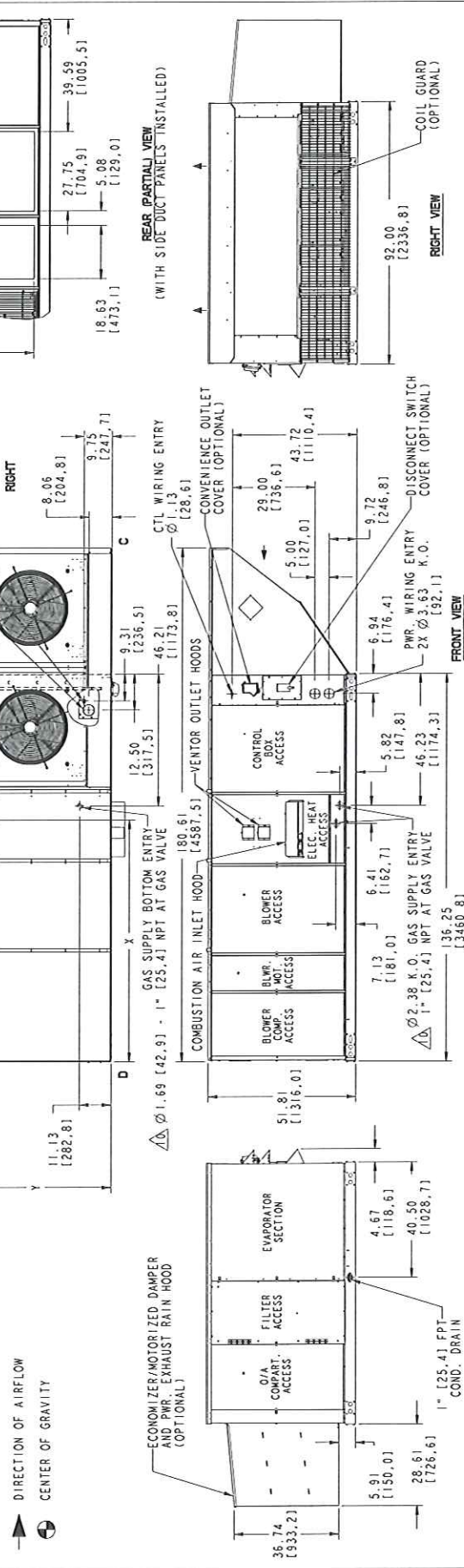
ZR - 10.5 to 11.6 EER MagnaDry™ Single Pkg.
R-410A AC

Project Name: BJS #29 Portland, ME Rev1 Model #: ZR240N24S4DZZ10003

Quantity: 8 Tag #: RTU-1 thru 8 System: ZR240N24S4DZZ10003

U TONNAGE	N OPERATING WEIGHT (LBS) (BASE UNIT)	CENTER OF GRAVITY LOCATION (BASE UNIT)			4 POINT CORNER LOADS (LBS) (BASE UNIT)			
		X	Y	A	B	C	D	
15	2609 (1183)	85.25 (1262.4)	44 (1117.6)	467 (212)	781 (354)	852 (387)	510 (231)	
17.5	2665 (1209)	85.25 (1262.4)	44 (1117.6)	477 (216)	787 (362)	870 (395)	520 (236)	
20	2697 (1223)	85.05 (1260.3)	44 (1117.6)	485 (220)	865 (385)	878 (398)	529 (240)	
25	2783 (1262)	85.25 (1262.4)	44 (1117.6)	498 (226)	833 (378)	908 (412)	544 (247)	
15	2360 (1071)	85.25 (1262.4)	44 (1117.6)	422 (191)	796 (320)	770 (349)	461 (209)	
20	2660 (1207)	85.05 (1260.3)	44 (1117.6)	478 (217)	794 (360)	866 (393)	522 (237)	
25	2760 (1252)	85.25 (1262.4)	44 (1117.6)	494 (224)	826 (375)	901 (409)	539 (245)	
20	2650 (1202)	88.8 (2255.5)	46 (1168.4)	462 (210)	863 (392)	863 (392)	462 (210)	

- NOTES:
- FOR OUTDOOR USE ONLY.
 - WEIGHTS SHOWN ARE FOR COOLING ONLY UNITS.
 - MIN. CLEARANCES TO BE:
 - RIGHT SIDE: 36 (914.4)
 - LEFT SIDE: 24 (609.6) (LESS ECONOMIZER)
 - FRONT: 36 (914.4) (WITH ECONOMIZER)
 - REAR: 24 (609.6) (LESS ECONOMIZER)
 - TOP: 49 (1244.6) (WITH ECONOMIZER)
 - 72 (1828.8) WITH 36 (914.4) MAX. HORIZ. OVERHANG (FOR CONDENSER AIR DISCHARGE)
 - BOTTOM: 0 (0)
 - FOR SMALLER SERVICE AND OPERATIONAL CLEARANCES, CONTACT YOUR APPLICATION ENGINEERING DEPARTMENT.
 - DOWNFLOW DUCTS DESIGNED TO BE ATTACHED TO ACCESSORY ROOF CURB ONLY. IF UNIT IS MOUNTED SIDE SUPPLY, IT IS RECOMMENDED THAT THE DUCTS ARE SUPPORTED BY CROSS BRACES, AS DONE ON ACCESSORY ROOF CURBS.
 - SIDE DUCT FLANGES ARE 0.875" (22.2) HIGH.
 - BOTTOM DUCTS DO NOT HAVE FLANGES.
 - MINIMUM CONDENSATION TRAP HEIGHT SHALL BE 1.5 TIMES THE LOWEST NEGATIVE STATIC.
 - DIMENSIONS IN [] ARE IN MILLIMETERS OR KILOGRAMS.
 - OPTIONAL COIL GUARD, GAS HEAT, ECONOMIZER HOOD, DISCONNECT SWITCH, CONVENIENCE OUTLET, AND OUTLET/INLET HOOD SHOWN.
 - EXCEPT XP (HEAT PUMP) UNITS



REV
UST - LSL - W52H A
PART NO.
SHEET NO. OF 1

Project Name: BJ'S #29 Portland, ME Rev1

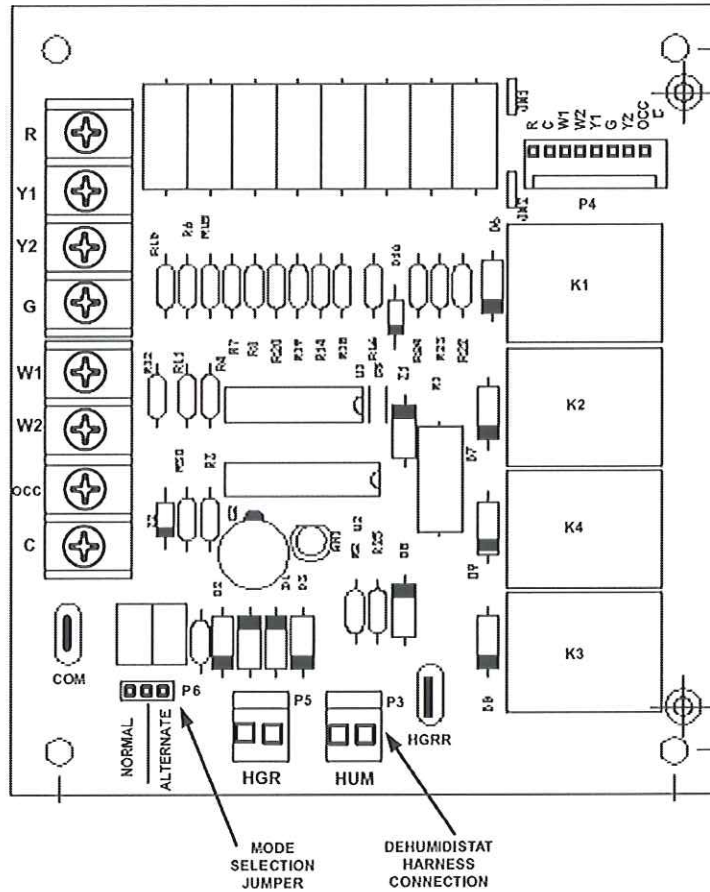
Model #: ZR240N24S4DZZ10003

Quantity: 8 Tag #: RTU-1 thru 8

System: ZR240N24S4DZZ10003

Reheat Control Board

Reheat Control Board





Large Sunline

ZR - 10.5 to 11.6 EER MagnaDry™ Single Pkg.
R-410A AC

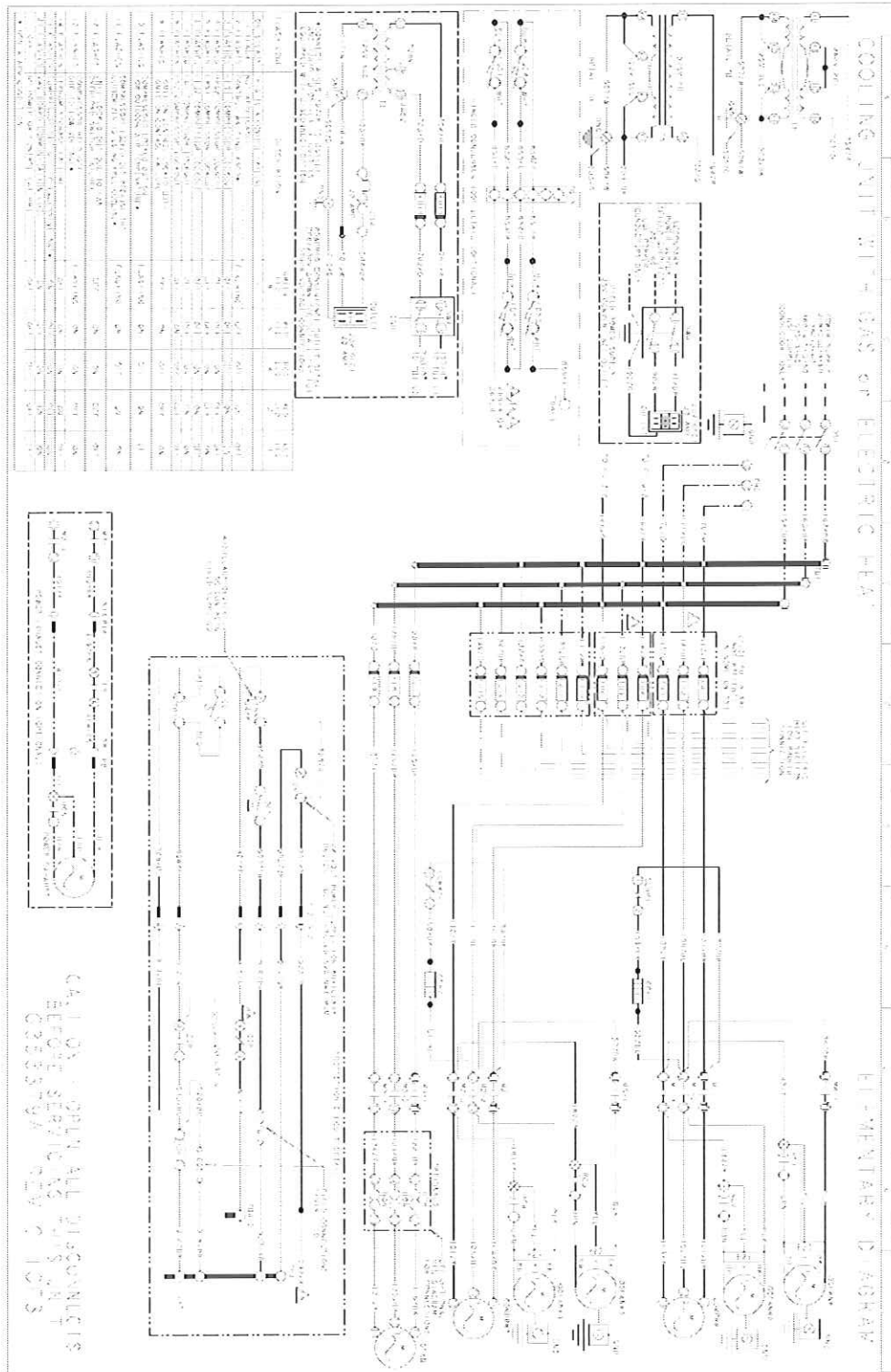
Project Name: BJ'S #29 Portland, ME Rev1

Model #: ZR240N24S4DZZ10003

Quantity: 8 Tag #: RTU-1 thru 8

System: ZR240N24S4DZZ10003

Wiring Diagram 353379 1 of 3





Large Sunline

ZR - 10.5 to 11.6 EER MagnaDry™ Single Pkg.
R-410A AC

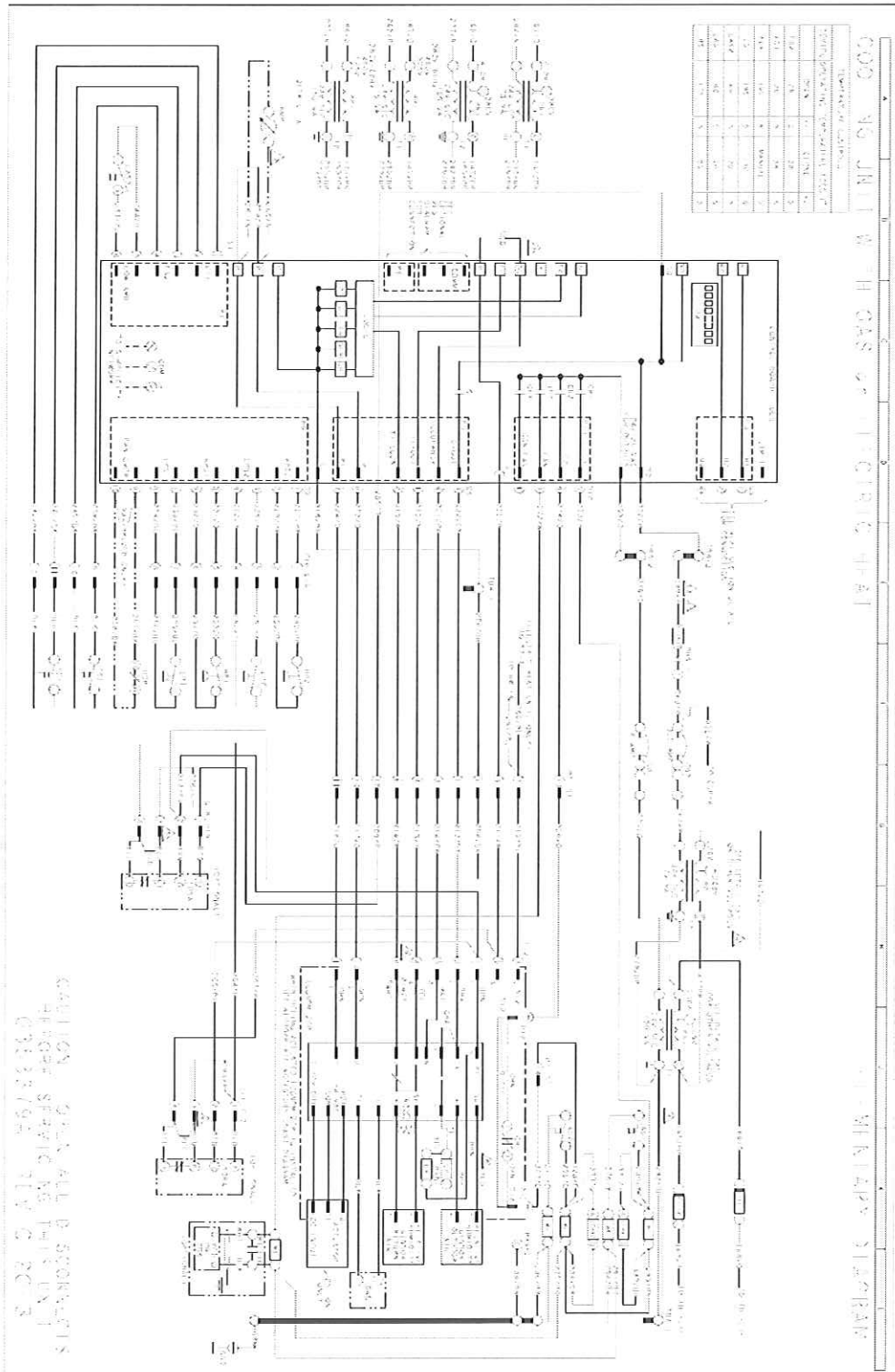
Project Name: BJ'S #29 Portland, ME Rev1

Model #: ZR240N24S4DZZ10003

Quantity: 8 Tag #: RTU-1 thru 8

System: ZR240N24S4DZZ10003

Wiring Diagram 353379 2 of 3



Project Name: BJ'S #29 Portland, ME Rev1

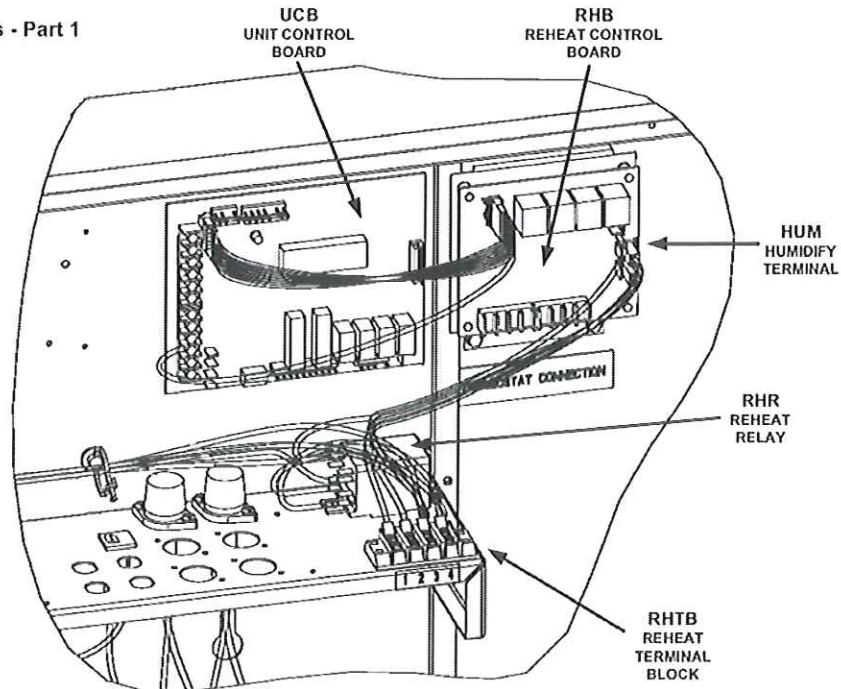
Model #: ZR240N24S4DZZ10003

Quantity: 8 Tag #: RTU-1 thru 8

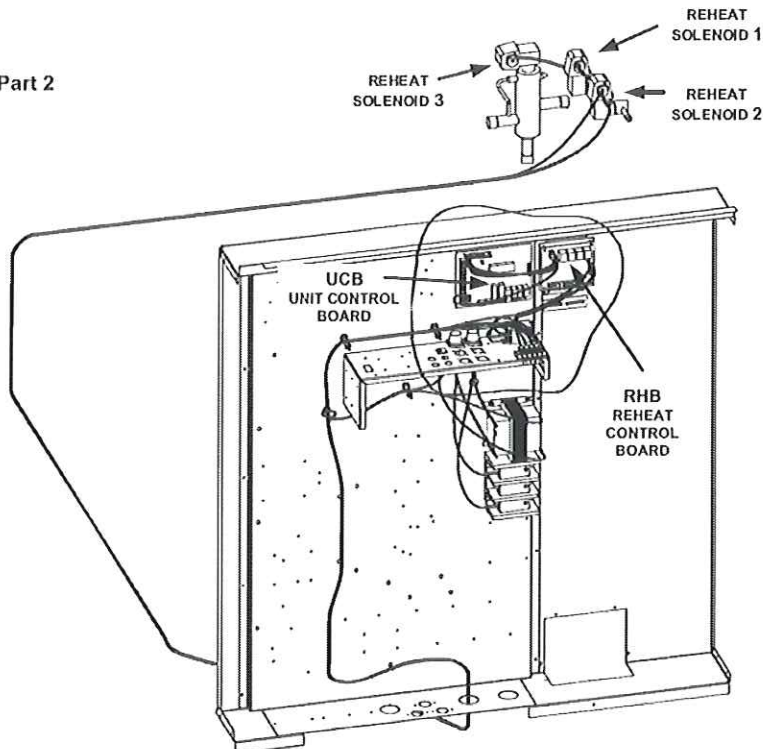
System: ZR240N24S4DZZ10003

Reheat Controls

Reheat Controls - Part 1



Reheat Controls - Part 2





YORK[®]

Large Sunline

ZR - 10.5 to 11.6 EER MagnaDry™ Single Pkg.
R-410A AC

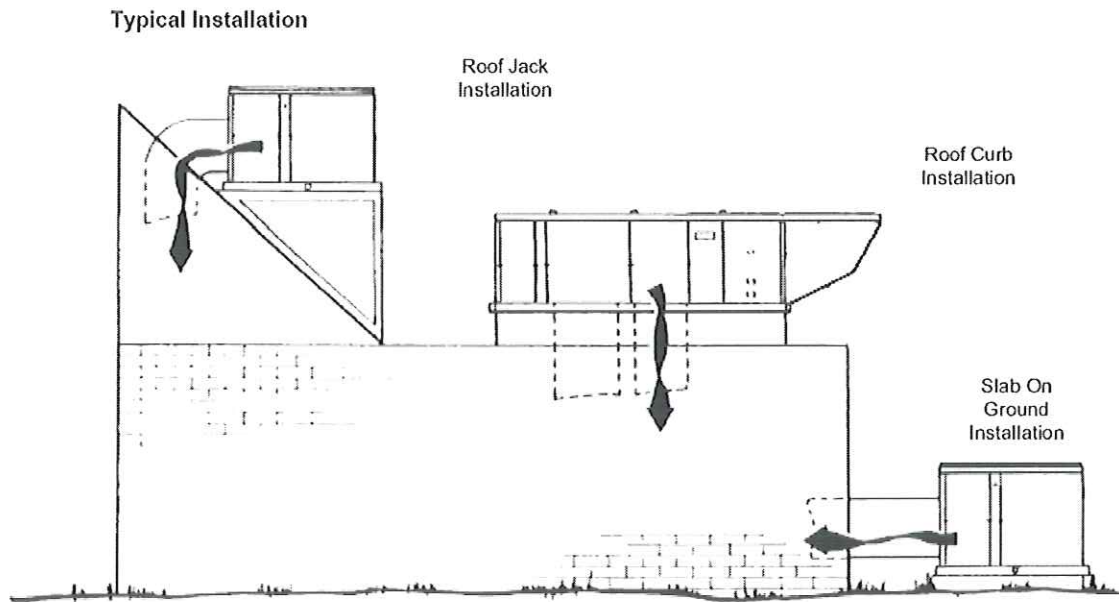
Project Name: BJS #29 Portland, ME Rev1

Model #: ZR240N24S4DZZ10003

Quantity: 8 Tag #: RTU-1 thru 8

System: ZR240N24S4DZZ10003

Typical Installations



Project Name: BJ'S #29 Portland, ME Rev1

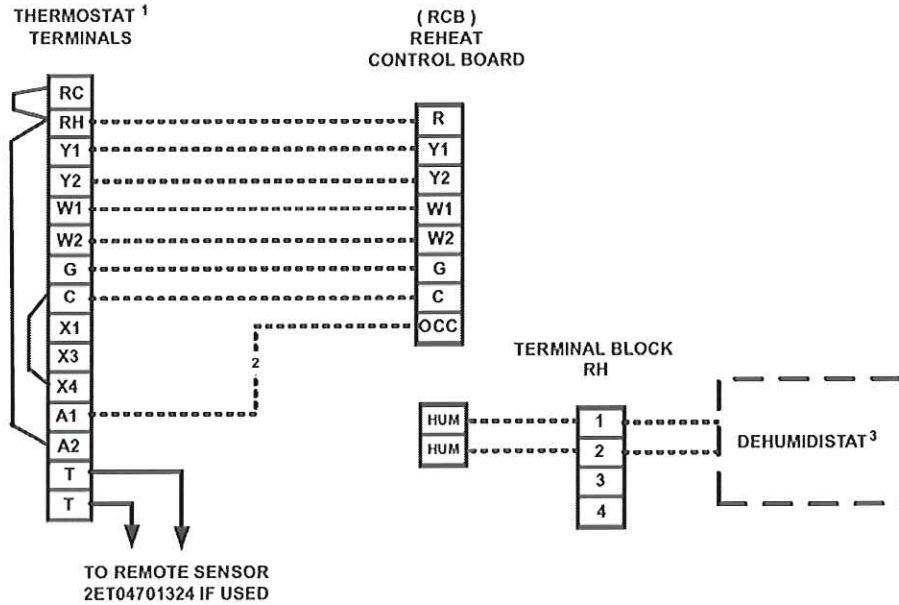
Model #: ZR240N24S4DZZ10003

Quantity: 8 Tag #: RTU-1 thru 8

System: ZR240N24S4DZZ10003

Typical Control Diagram

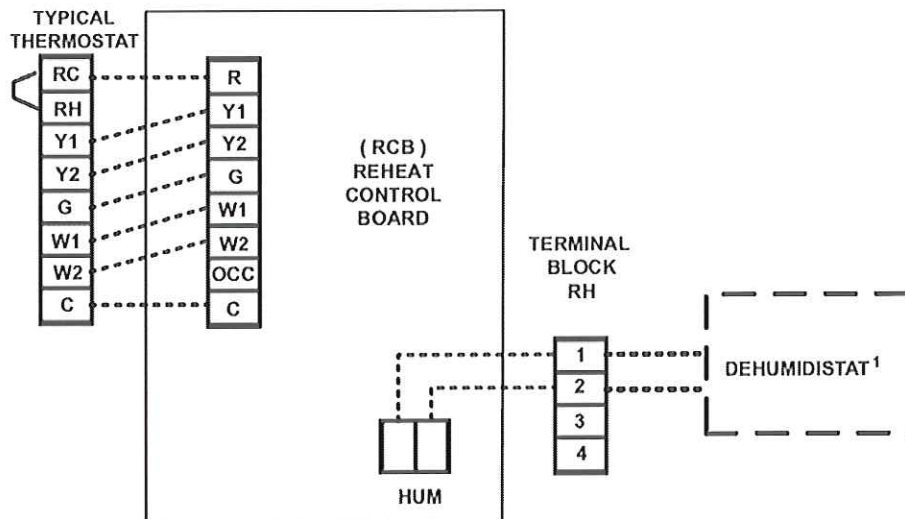
Typical Control Diagram



¹ Electronic programmable Thermostat 2ET0770010024 (includes subbase).

² Terminals A1 and A2 provide a relay output to close the outdoor economizer dampers when the thermostat switches to the set-back position.

³ Dehumidistat closes on rise in humidity.



¹ Dehumidistat closes on rise in humidity.



YORK[™]

Large Sunline

ZR - 10.5 to 11.6 EER MagnaDry[™] Single Pkg.
R-410A AC

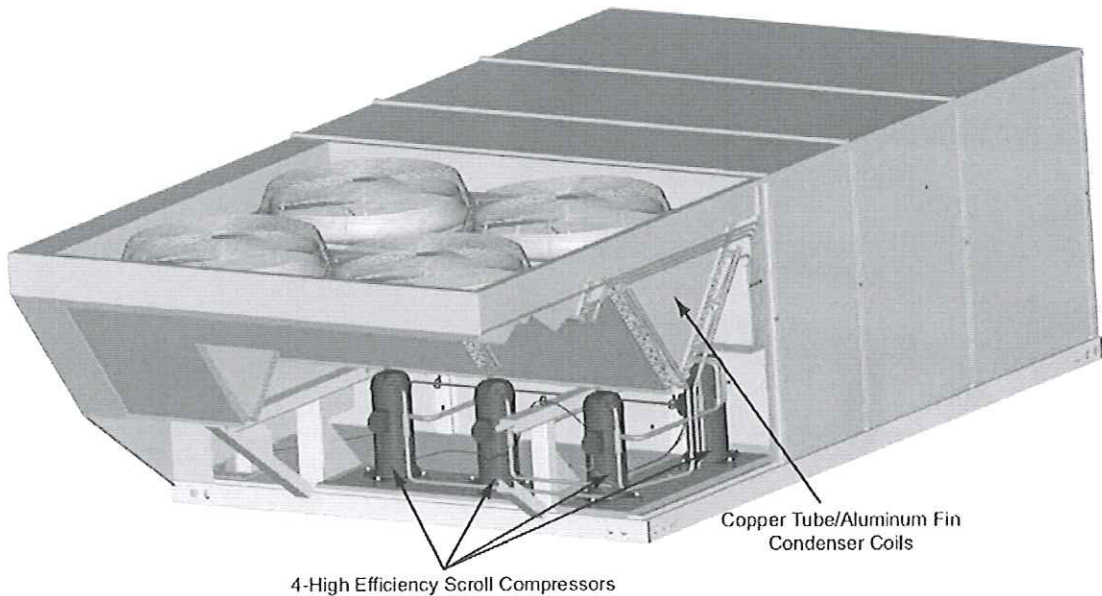
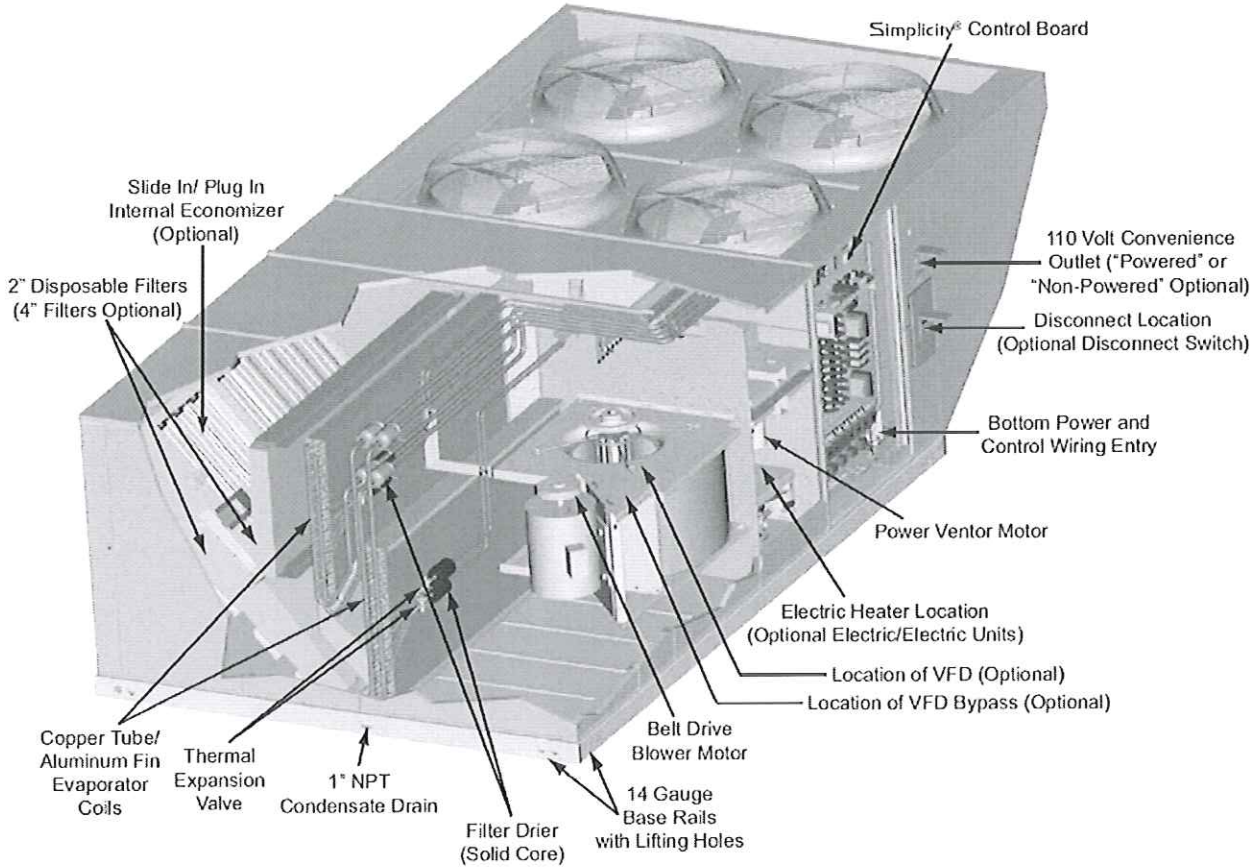
Project Name: BJ'S #29 Portland, ME Rev1

Model #: ZR240N24S4DZZ10003

Quantity: 8 Tag #: RTU-1 thru 8

System: ZR240N24S4DZZ10003

Typical Component Location



Project Name: BJ'S #29 Portland, ME Rev1

Model #: ZJ120C00P4DAA5

Quantity: 1 Tag #: RTU-9

System: ZJ120C00P4DAA5

Cooling Performance

Total capacity	124.3 MBH
Sensible capacity	87.2 MBH
Refrigerant type	R410A
Efficiency (at ARI)	12.00 EER
Integrated eff. (at ARI)	12.20 IEER
Ambient DB temp.	95 °F
Entering DB temp.	80 °F
Entering WB temp.	67 °F
Leaving DB temp.	56.2 °F
Leaving WB temp.	55.2 °F
Part load efficiency	13.4 IPLV
Power input (w/o blower)	8.98 kW
Sound power	90 dB(A)

Supply Air Blower Performance

Supply air	3400 CFM
Ext. static pressure	0.8 IWG
Unit static resistance	0.22 IWG
Blower speed	1036 RPM
Duct location	Bottom
Motor rating	3.00 HP
Actual required BHP	2.08 HP
Power input	1.94 kW
Elevation	0 ft.
Drive type	BELT

Electrical Data

Power supply	460-3-60
Unit min circuit ampacity	25.60 Amps
Unit max over-current protection	30 Amps

Dimensions & Weight

Hgt	51 in.	Len	89 in.	Wth	59 in.
Weight with factory installed options					1160 lbs.

Clearances

Right	12 in.	Front	36 in.	Back	36 in.
Top	72 in.	Bottom	0 in.	Left	36 in.



10 Ton

- York Predator units are manufactured at an ISO 9001 registered facility and each rooftop is completely computer-run tested prior to shipment.

Unit Features

- Unit Cabinet Constructed of Powder Painted Steel, Certified At 1000 Hours Salt Spray Test (ASTM B-117 Standards)
- Through-the-Curb and Through-the-Base Utility Connections
- Full perimeter base rails with built in rigging capabilities
- Hinged Access Panels
- Slide-Out Condensate Drain Pan
- Scroll Compressors
- Solid Core Liquid Line Filter Driers
- No Factory Installed Heat
- Unit Ships with 2" Throwaway Filters with a Standard Filter Rack that will Accept up to 4" Filters
- Single Point Power Connection
- Non Fused Disconnect Switch
- Non-Powered Convenience Outlet
- Phase Monitor
- Single Enthalpy Economizer w/Barometric Relief and Hoods (Bottom Return Only)

Standard Unit Controller: Simplicity® Control Board

- Safety Monitoring - Monitors the high and low-pressure switches, the freezestats, the gas valve, if applicable, and the temperature limit switch on gas and electric heat units. The unit control board will alarm on ignition failures, safety lockouts and repeated limit switch trips.

Warranty

- One (1) Year Limited Warranty on the Complete Unit
- Five (5) Year Warranty - Compressors and Electric Heater Elements



Predator

York 12.2 EER Single Pkg, R-410A AC

Project Name: BJ'S #29 Portland, ME Rev1

Model #: ZJ120C00P4DAA5

Quantity: 1 Tag #: RTU-9

System: ZJ120C00P4DAA5

Factory Installed Options

ZJ120C00P4DAA5

Product Category:	Z	York Predator Single Packaged R-410A Air Conditioner
Product Identifier:	J	12.0 EER / 12.2 IEER
Nominal Cooling Capacity:	120	10 Ton
Heat Type and Nominal Heat Capacity:	C00	No Factory Installed Heat
Airflow:	P	3 HP High Static Belt Drive Blower Single Enthalpy Economizer w/Barometric Relief and Hoods (Bottom Return Only) 2" Throwaway Filters
Voltage:	4	460-3-60
Installation Options:	D	Non Fused Disconnect Switch Non Powered Convenience Outlet
Additional Options:	AA	Microchannel Condenser Coil Phase Monitor Composite Drain Pan
Product Generation:	5	

Field Installed Accessories

- 2AQ04700424C - CO2 Control Kit- Unit Mounted with Mounting Hardware (5.0 lbs)
- 2EC04700924 - Dual Enthalpy Kit for Return Air (1.0 lbs)



Predator

York 12.2 EER Single Pkg, R-410A AC

Project Name: BJ'S #29 Portland, ME Rev1

Quantity: 1 Tag #: RTU-9

Model #: ZJ120C00P4DAAS

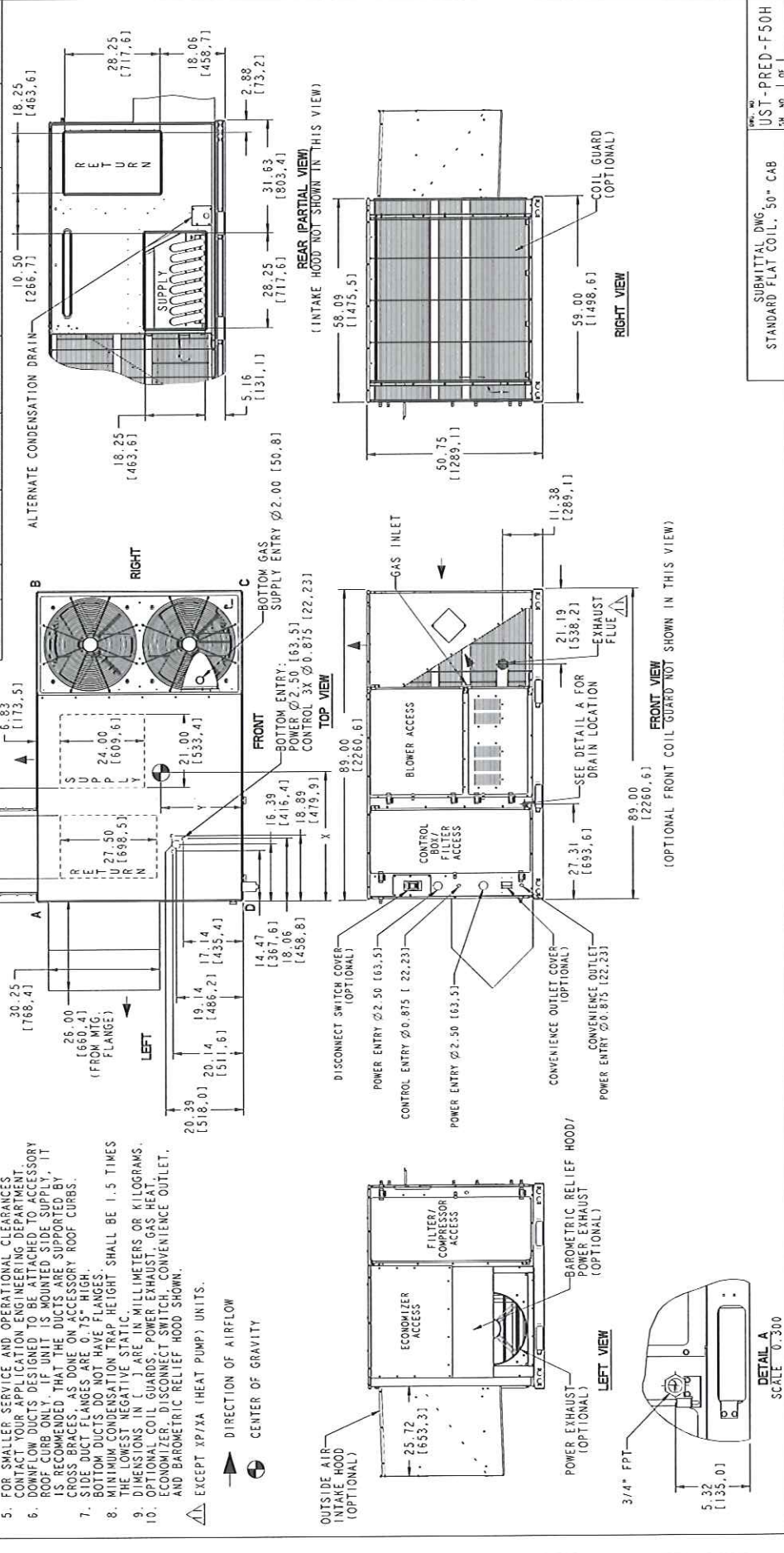
System: ZJ120C00P4DAAS

TONNAGE	U T	N M	OPERATING TEMPERATURE (BASE UNIT)	CENTER OF GRAVITY LOCATION (BASE UNIT)				4 POINT CORNER LOADS (LBS.) (BASE UNIT)			
				X	Y	A	B	C	D		
8.5	7F	1007	4581	38 [965.2]	24 [609.6]	235 [107]	175 [79]	255 [116]	342 [155]		
10	2F	1030	4971	38 [965.2]	24 [609.6]	257 [117]	192 [87]	279 [127]	375 [170]		
8.5	7H	1030	4471	38 [965.2]	24 [609.6]	240 [109]	179 [81]	261 [118]	350 [159]		
10	2H	1030	4941	38 [965.2]	24 [609.6]	254 [115]	188 [86]	276 [125]	371 [168]		
6.5	2J	1030	4671	39 [990.6]	25 [635]	245 [111]	191 [87]	260 [118]	333 [151]		
7.5	2J	1081	4901	39 [990.6]	25 [635]	257 [117]	201 [91]	273 [124]	350 [159]		
8.5	2J	1060	4811	39 [965.2]	24 [609.6]	247 [112]	184 [84]	268 [122]	360 [163]		
10	2J	1070	4851	39 [990.6]	24 [609.6]	245 [111]	191 [87]	278 [126]	357 [162]		
8.5 & 10	2K	1200	5341	38 [965.2]	25.5 [647.7]	297 [135]	221 [100]	291 [132]	390 [177]		
8.5 & 10	2P	1135	5151	38 [965.2]	25.5 [647.7]	281 [128]	209 [95]	275 [125]	369 [167]		

NOTES:

- FOR OUTDOOR USE ONLY.
- WEIGHTS SHOWN ARE FOR COOLING ONLY UNITS.
- MIN. CLEARANCES TO BE:
RIGHT SIDE: 12 [305]
LEFT SIDE: 36 [915]
FRONT: 36 [915]
REAR: 36 [915]
TOTAL: 72 [1830]
- TO REMOVE THE SLIDING OUT DRAIN PAN, A REAR CLEARANCE OF 69 IN (1752 mm) IS REQUIRED. IF SPACE IS UNAVAILABLE, THE DRAIN PAN CAN BE REMOVED THROUGH THE FRONT BY SEPARATING THE CONDENSATION DRAIN.
- FOR SET-UP SERVICE AND OPERATIONAL CLEARANCES, CONSULT YOUR SERVICE AND OPERATIONAL ENGINEERING DEPARTMENT.
- COMPLETELY DESIGN TO BE ATTACHED TO ACCESSORY ROOF CURB ONLY. THE UNIT IS MOUNTED SIDE SUPPLY. IT IS RECOMMENDED THAT THE DUCTS BE SUPPORTED BY CROSS BRACES AS DONE ON ACCESSORY ROOF CURBS.
- SIDE DUCT FLANGES ARE 0.75" HIGH.
- BOTTOM DUCTS DO NOT HAVE FLANGES.
- MAXIMUM CONDENSATION TRAP HEIGHT SHALL BE 1.5 TIMES THE LOWEST NEGATIVE STATIC HEAD.
- DIMENSIONS IN PARENTS ARE IN MILLIMETERS OR KILOGRAMS.
- OPTIONAL COIL GUARDS, POWER EXHAUST GAS HEAT ECONOMIZER, DISCONNECT SWITCH, CONVENIENCE OUTLET, AND BAROMETRIC RELIEF HOOD SHOWN.

EXCEPT XP/XX (HEAT PUMP) UNITS.



STANDARD SUBMITTAL DWG. 50" CAB
 UST-PRED-F50H
 SW. NO. 1 OF 1

Project Name: BJ'S #29 Portland, ME Rev1

Model #: ZJ120C00P4DAA5

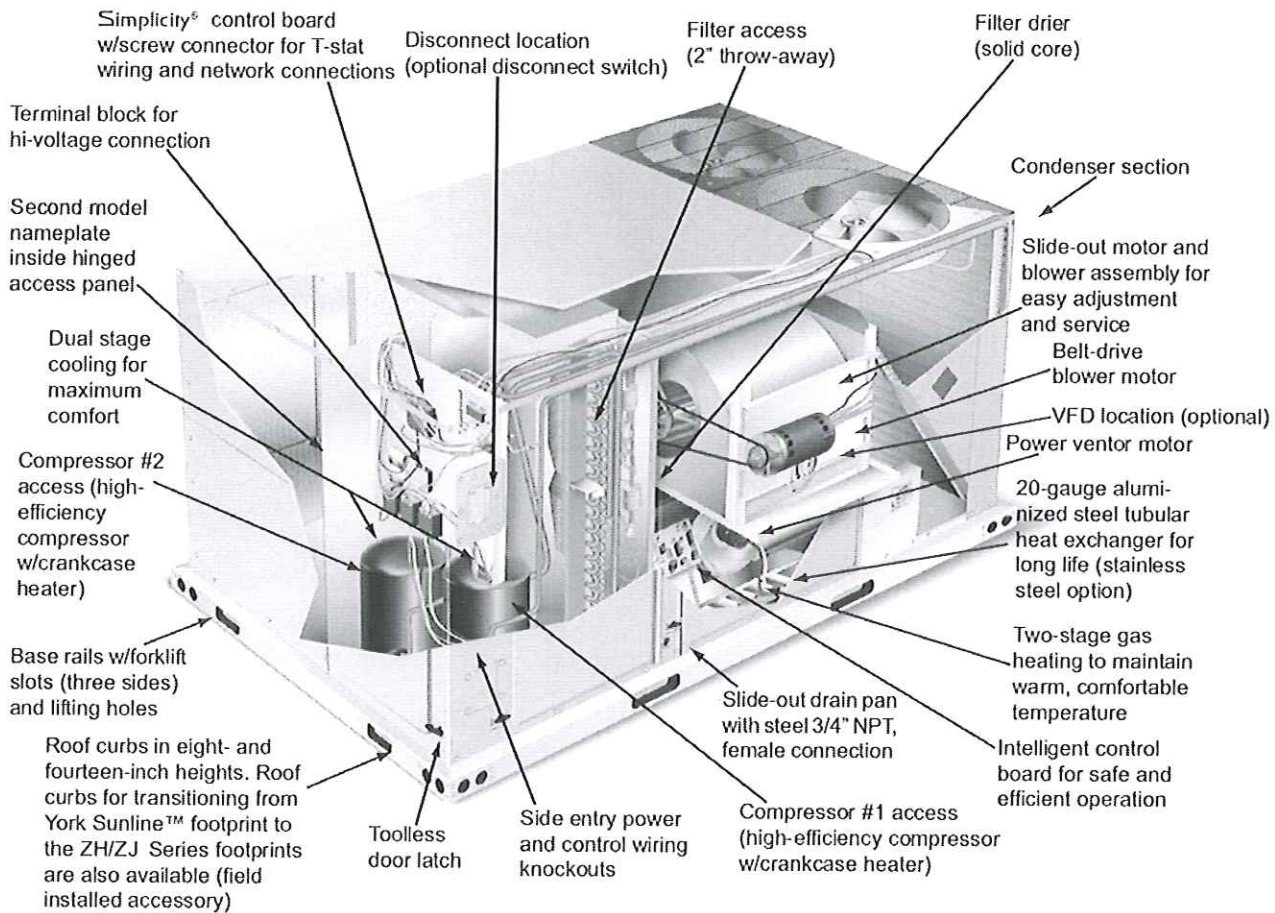
Quantity: 1 Tag #: RTU-9

System: ZJ120C00P4DAA5

ZH/ZJ078-150 Component Location

Component Location

Cooling With Gas Heat



Project Name: BJ'S #29 Portland, ME Rev1

Model #: ZJ120C00P4DAA5

Quantity: 1 Tag #: RTU-9

System: ZJ120C00P4DAA5

ZHZJ078-120 Typical Cooling Unit, With or Without Electric Heat Wiring Diagram

Typical ZHZJ078-120 Cooling Unit with/without Electric Heat Wiring Diagram

