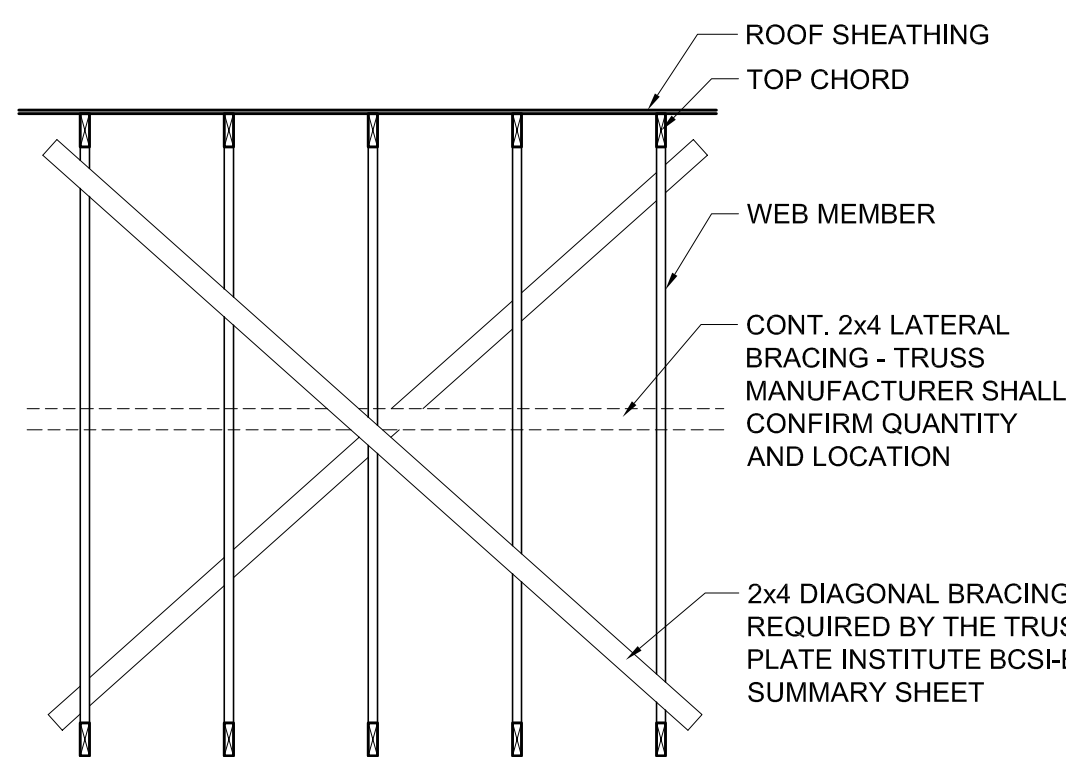
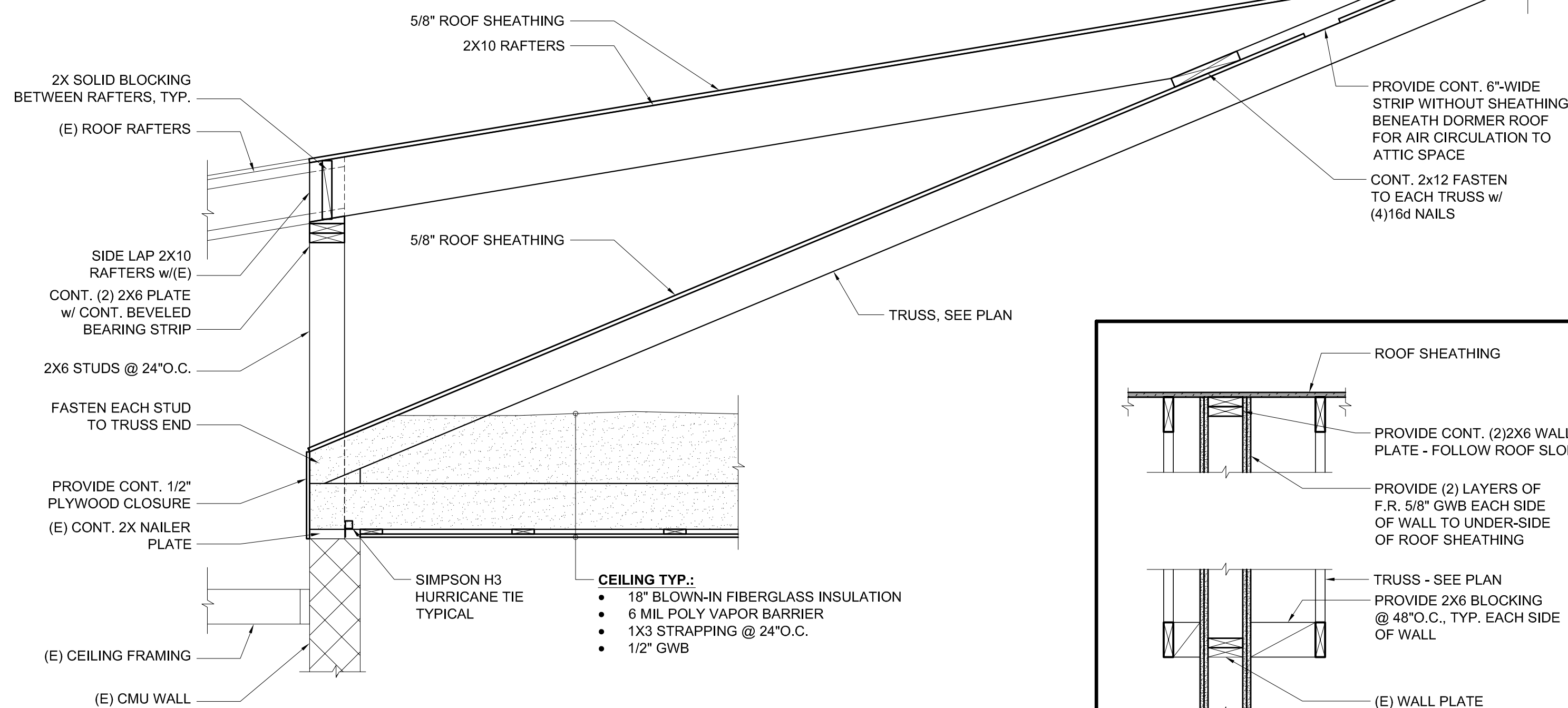


F1 TRUSS PROFILE SCHEMATICS

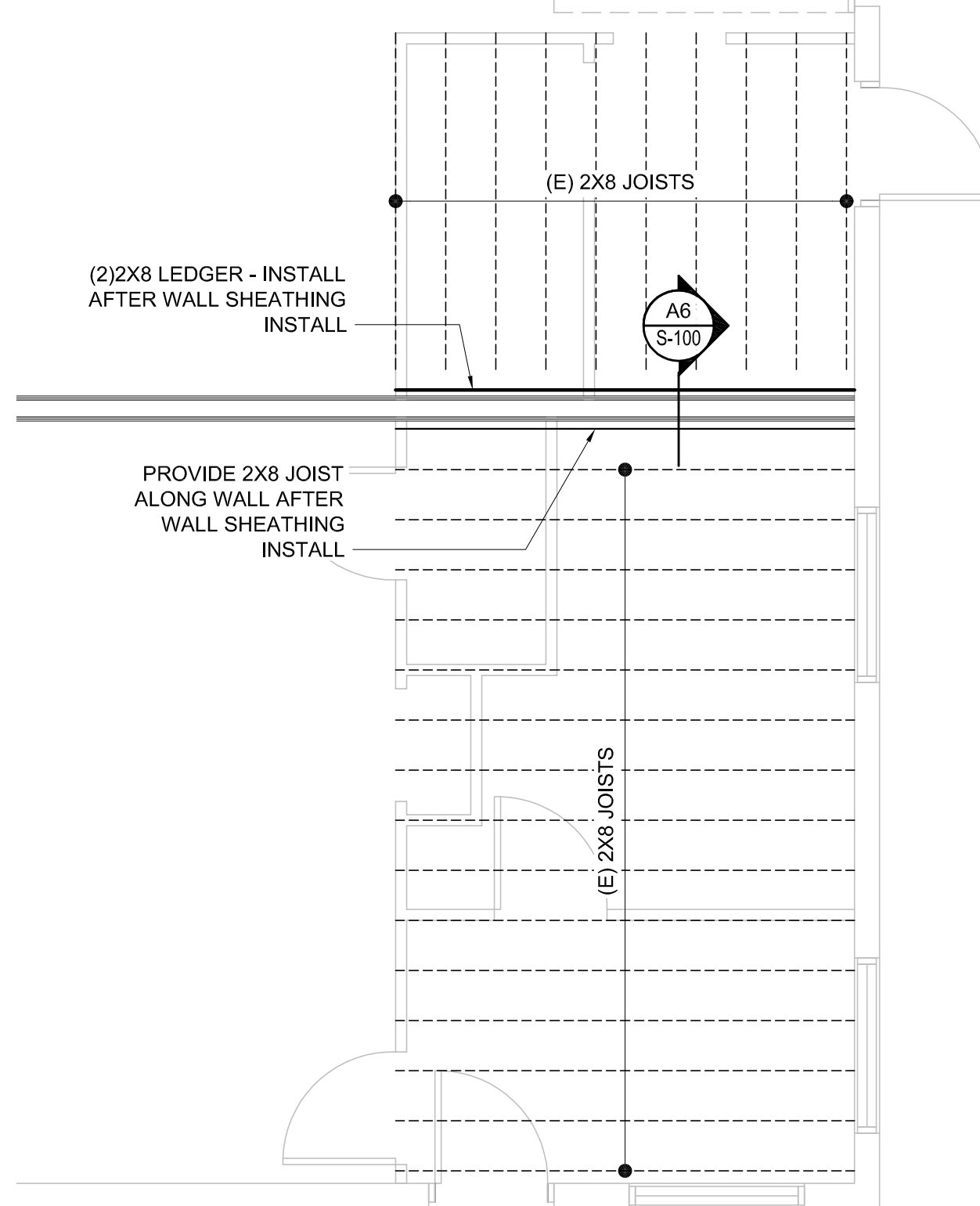


NOTE:
CROSS BRACING REPEATED AT EACH END OF THE BUILDING AT 20' INTERVALS.
DIAGONAL WEB BRACING IS REQUIRED ON END VERTICALS. (SEE BCSI-B3 FOR SPACING OF DIAGONAL WEB BRACING) - TRUSS MANUF. TO CONFIRM QUANTITY SIZE AND LOCATION OF BRACING

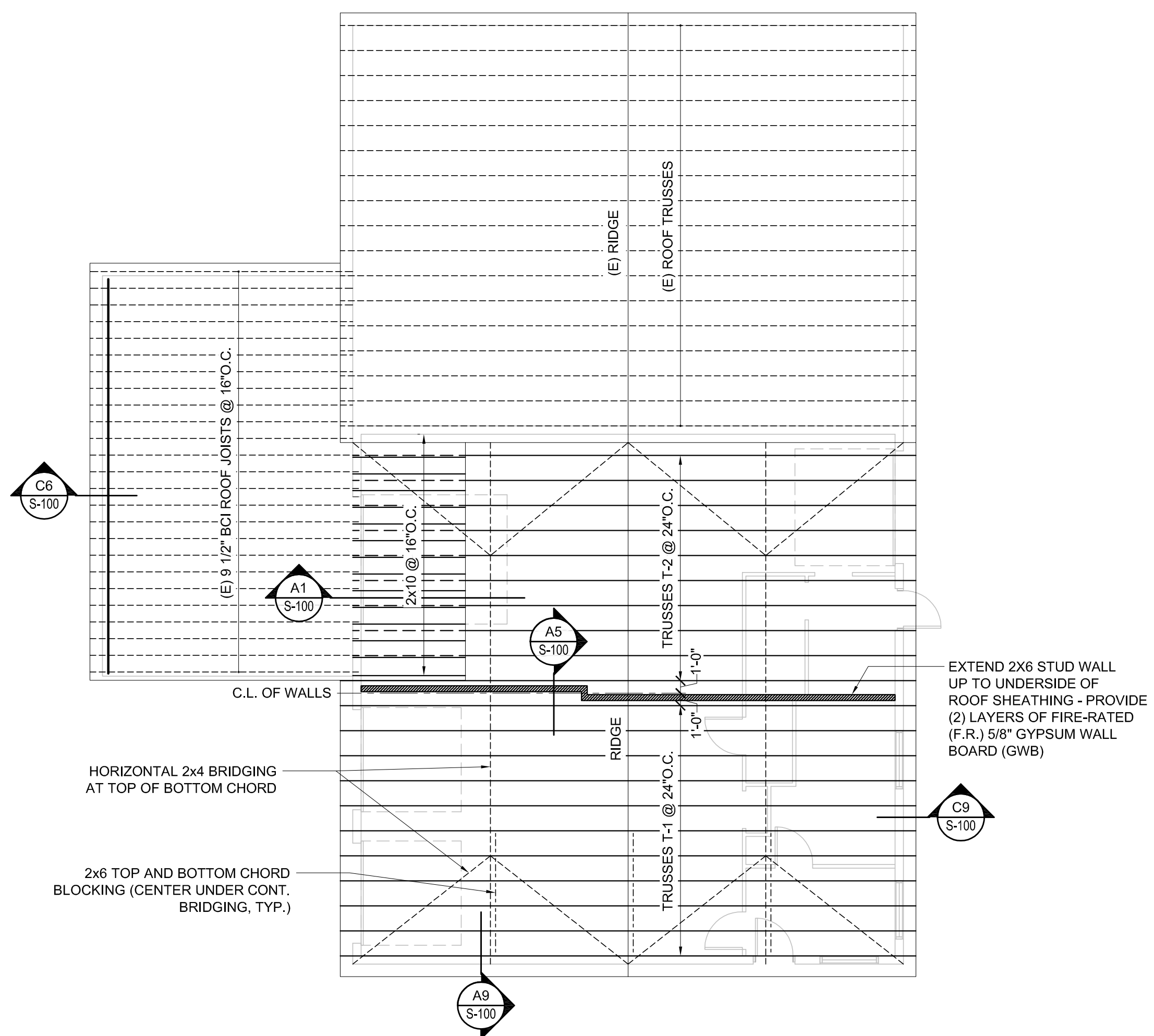
D1 TRUSS BRACING DETAIL



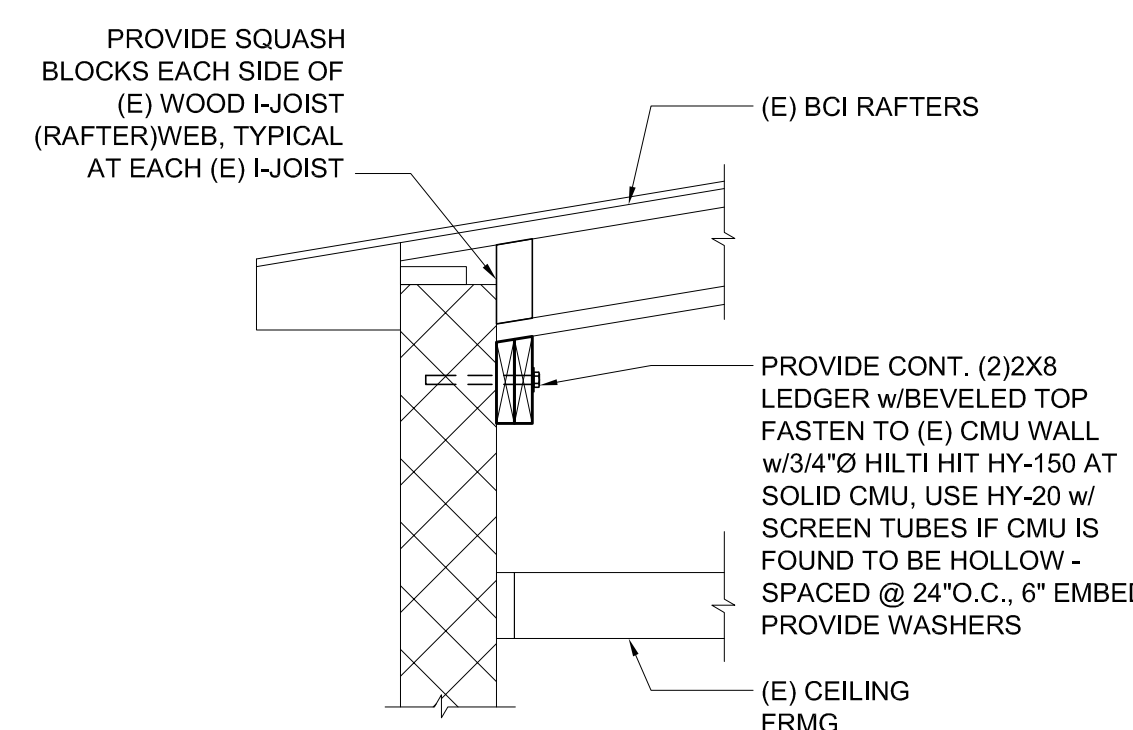
A1 DETAIL
3/4"=1'-0"



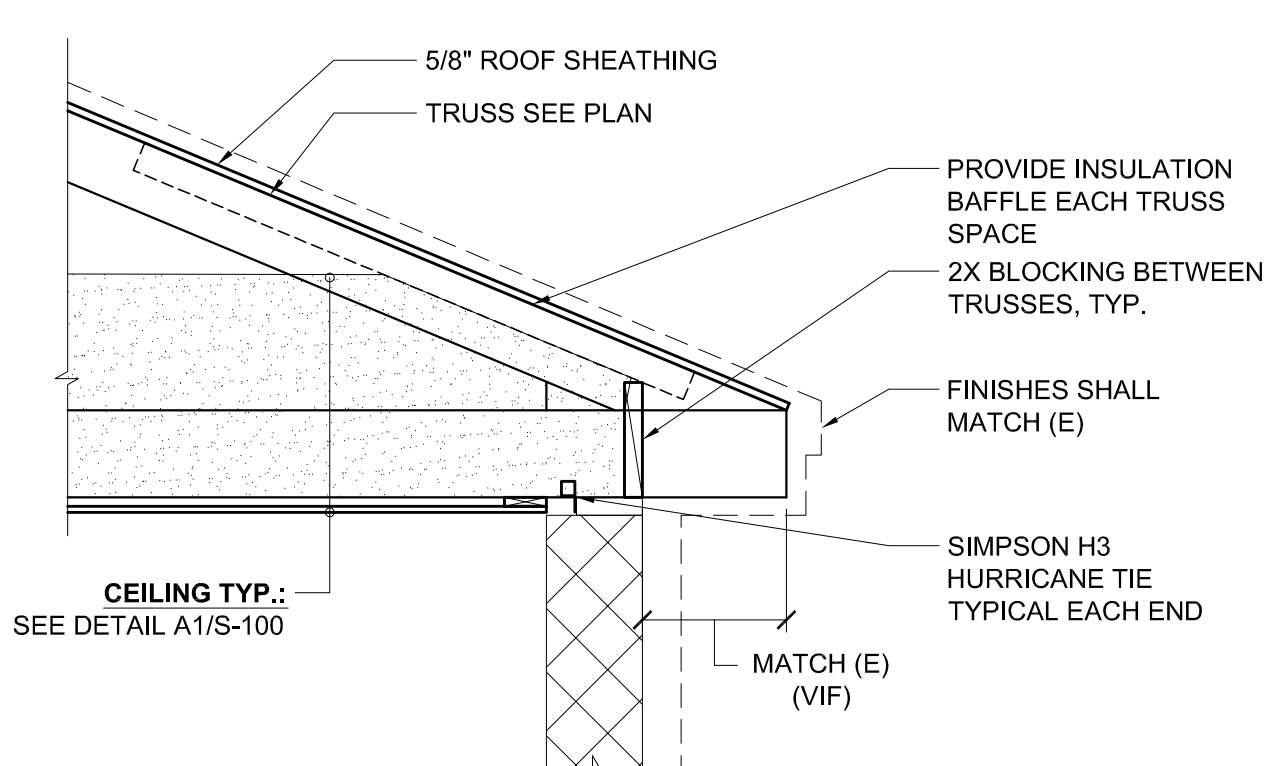
D4 DRIP EDGE DETAIL
1/4"=1'-0"



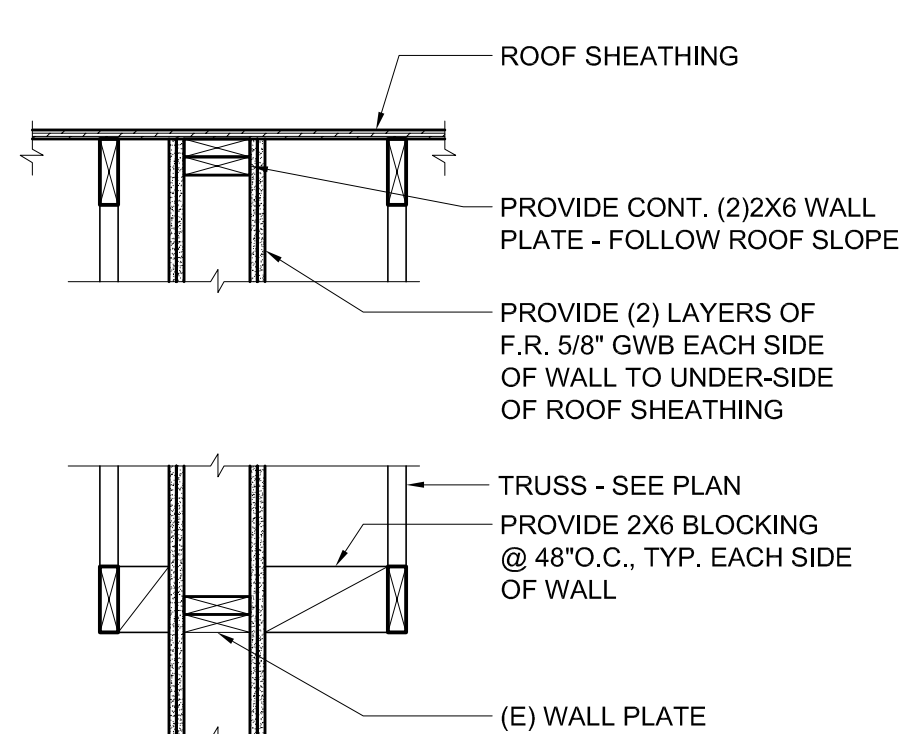
D7 ROOF FRAMING PLAN
1/8"=1'-0"



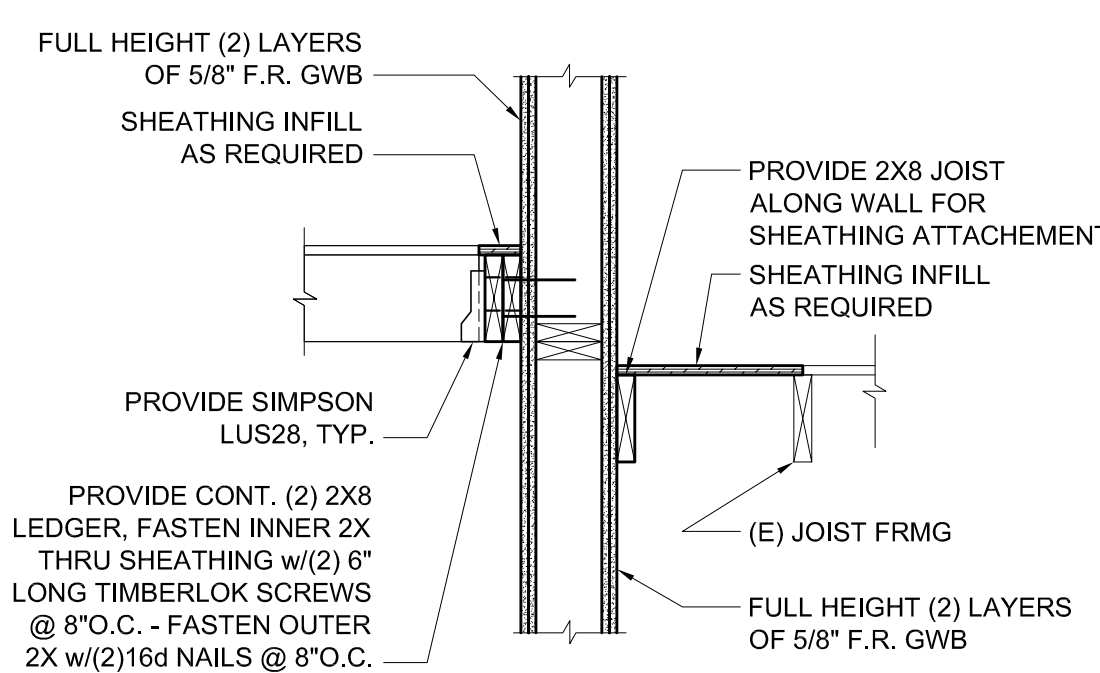
C6 DETAIL
3/4"=1'-0"



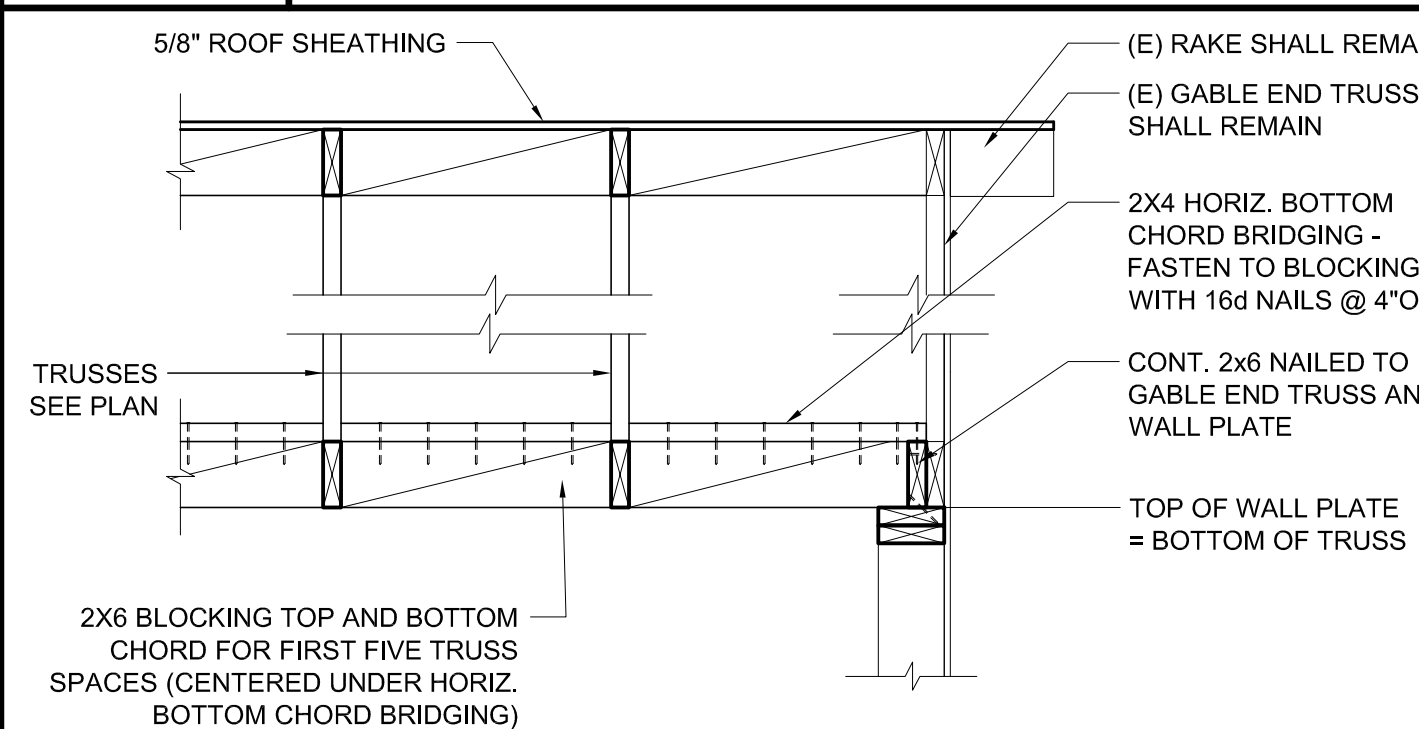
C9 DETAIL
3/4"=1'-0"



A5 DETAIL
3/4"=1'-0"



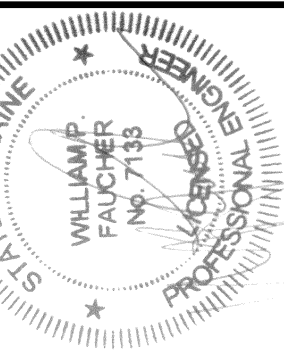
A6 DETAIL
3/4"=1'-0"



A9 DETAIL
3/4"=1'-0"

160 Veranda Street
Portland, Maine 04103
T: 207.221.2260
F: 207.221.2266
Web: www.allied-eng.com

Allied Engineering
Structural Mechanical Electrical Commissioning



REVISIONS

NUMBER	DATE	BY	DESCRIPTION
0			

FRAMING PLANS AND DETAILS

BAY CITY MOTORS
RE-ROOFING
324 WARREN AVE., PORTLAND, ME

S-100