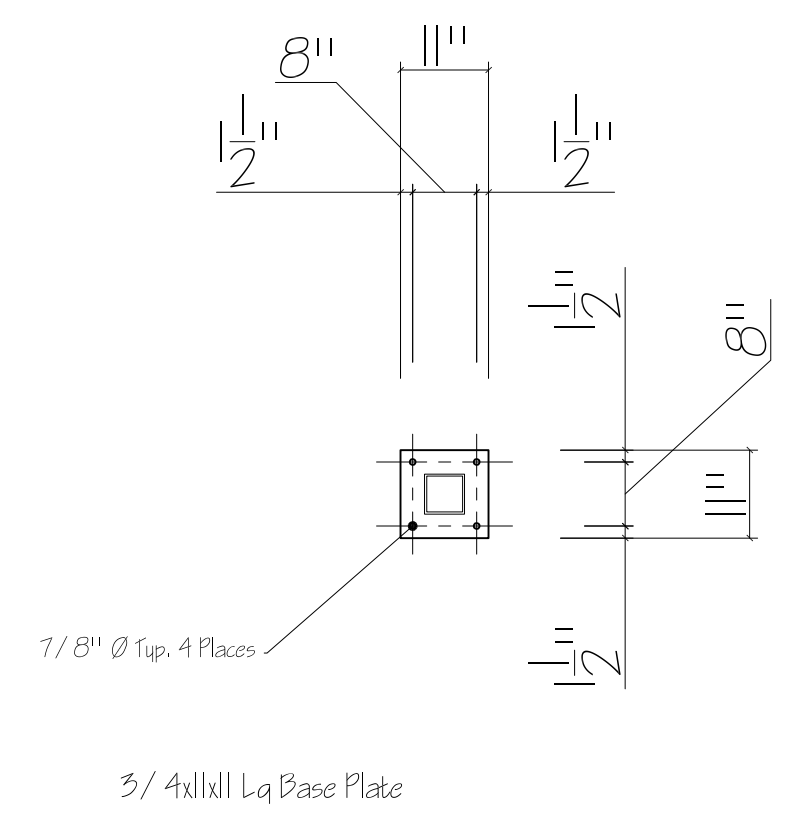
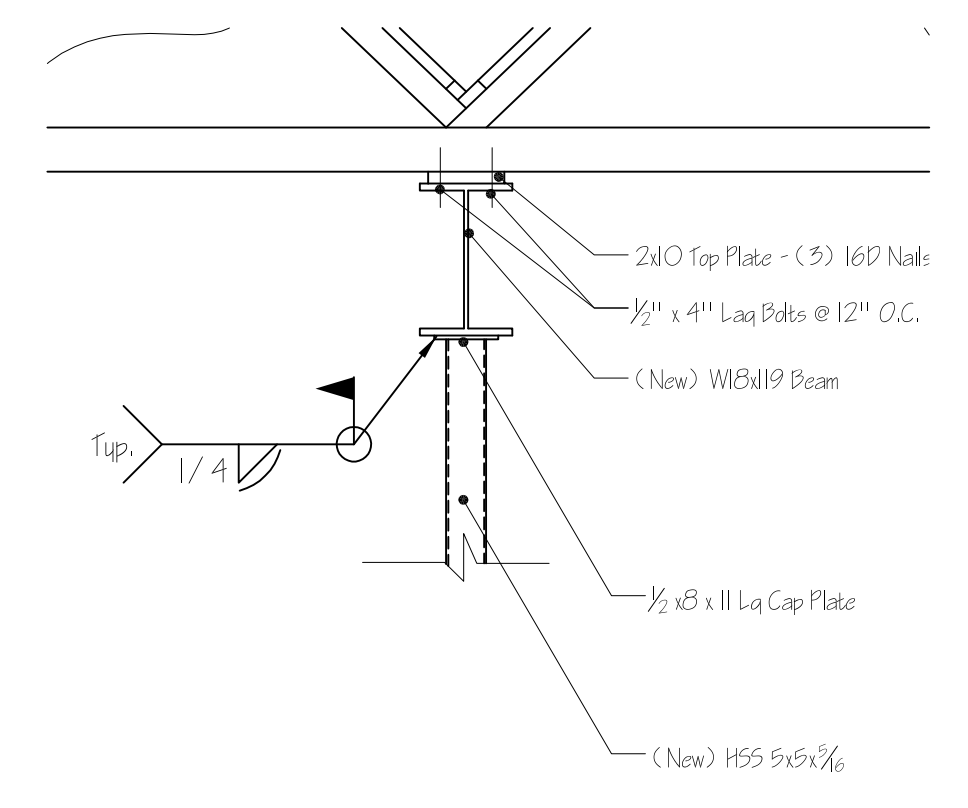


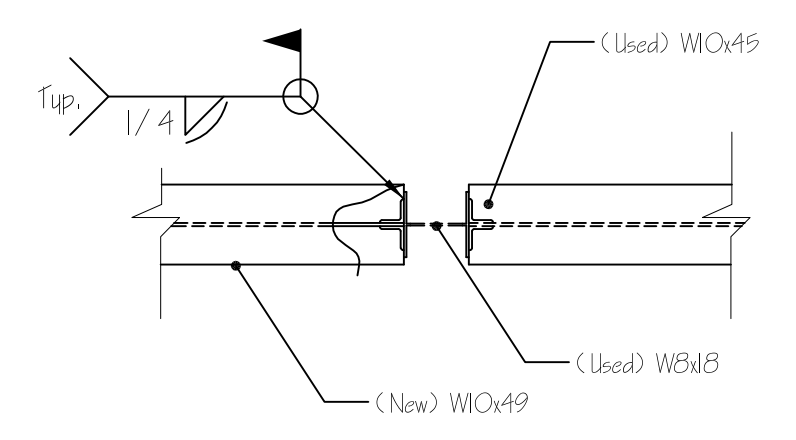
Building Section & Details
1/4" = 1'-0"



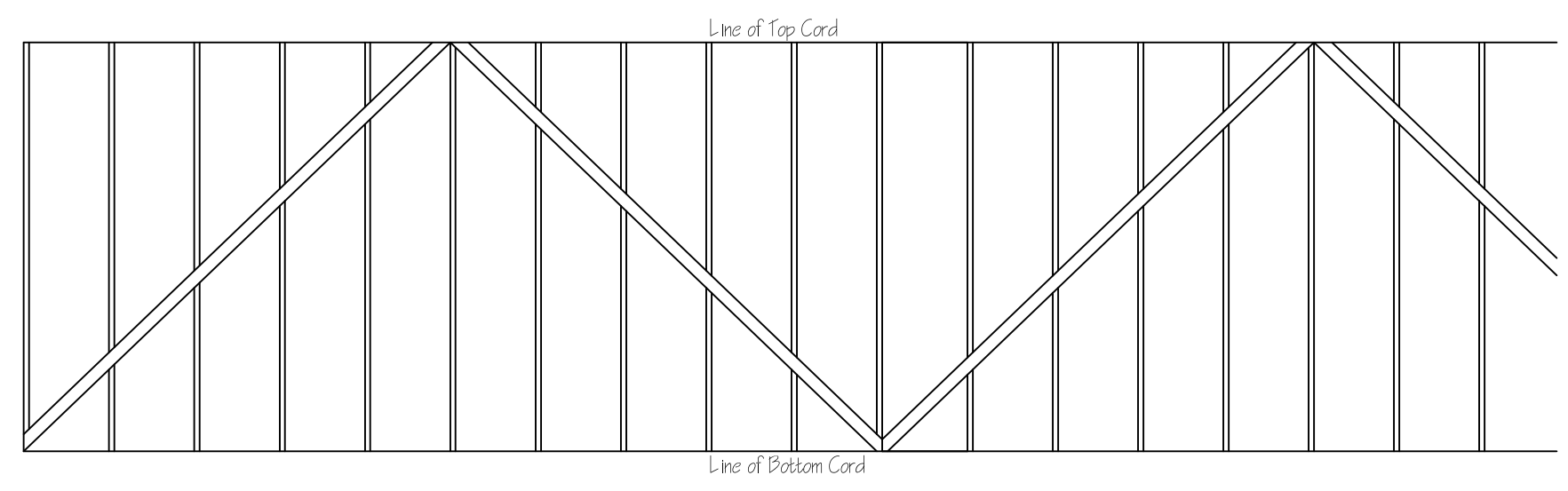
3/4" x 1/4" Lq Base Plate Detail
1/2" = 1'-0"



Connection @ Top of 5x5 Columns
1/2" = 1'-0"



Connection @ Mezzanine Mid Span
1/2" = 1'-0"



Bracing @ Existing Roof Trusses
1/2" = 1'-0"

REV.	DESCRIPTION	DATE
A	Removed Stair Nosing & Extended Handrail	08.16.04

DWG. TITLE: Building Section & Details

STAMP: STATE OF MAINE
RONALD T. BEAUCHESNE
#4098
REGISTERED PROFESSIONAL ENGINEER

For Structural Review:
DRAWN: M.Lee
CHECKED: M.Lee
APPROVED: M.Lee
SCALE: 1/4" = 1'-0"
SHEET: A-28