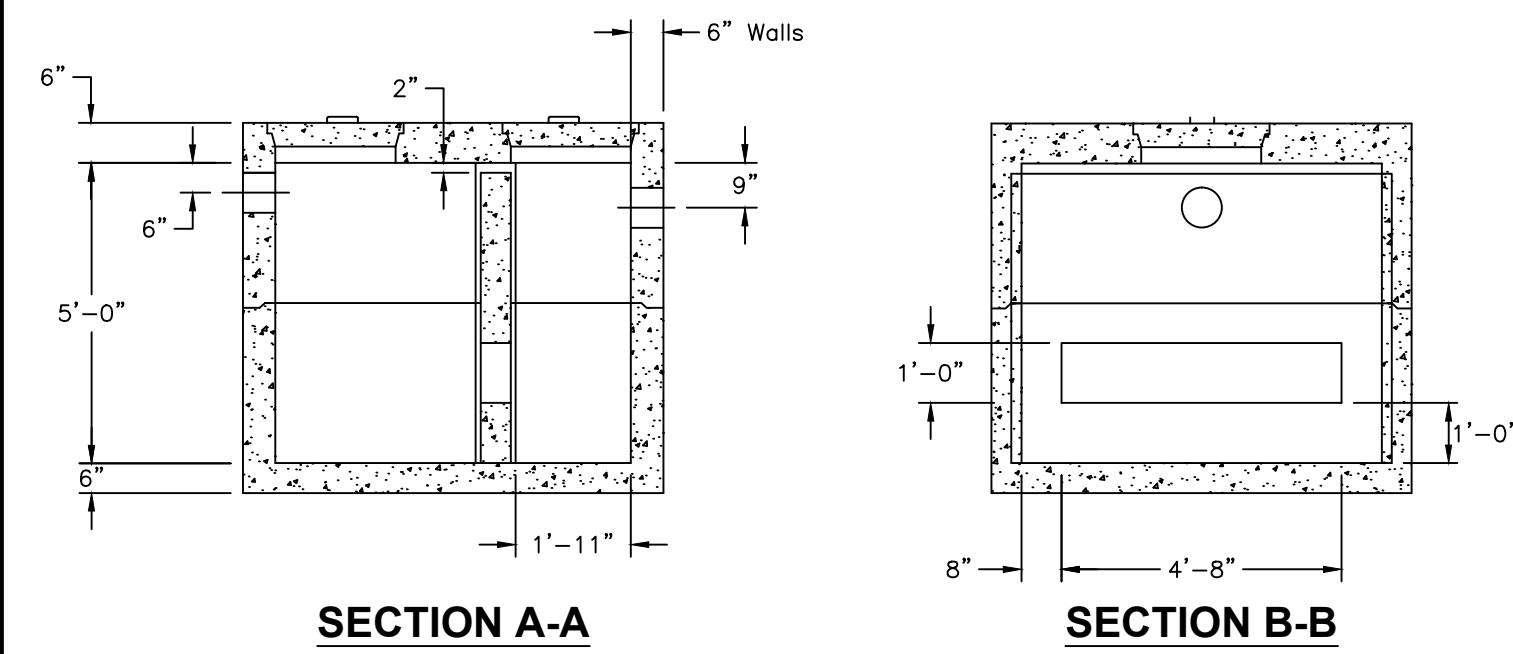
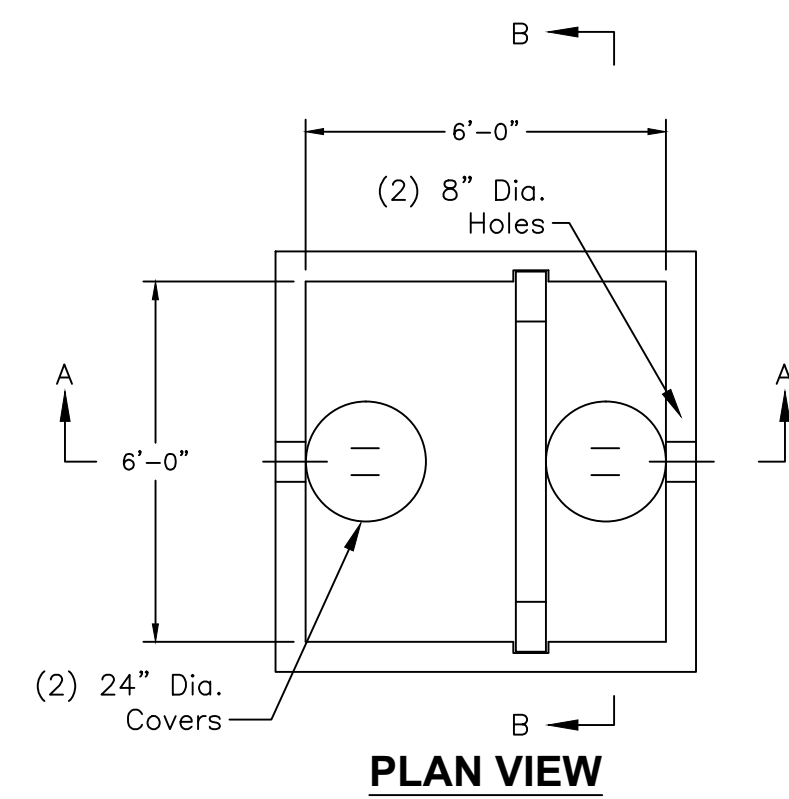


ISOMETRIC VIEW



NOTES:

- Concrete: 5,000 P.S.I.
Minimum Strength @ 28 Days
- Steel Reinforcement- ASTM A-615,
Grade 60.
- Cover to Steel-1" Minimum
- Tanks are Designed to Meet ASTM
C858 and ACI 318 with AASHTO
HS-20 Loading
- Earth Cover-0 to 5 Feet
Minimum
- Construction Joint-Sealed with
1" Dia. Butyl Rubber or Equivalent
- Approx. Wt. Top Pc. = 6.3 Tons
Approx. Wt. Bottom Pc. = 6.3 Tons
- This Print is an Example of an O/W
Separator and is not Designed for
Specific Performance Ratings.
Openings can be Modified for
Specific Project Requirements.



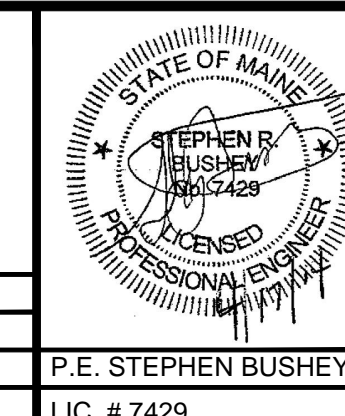
**6'-0" x 6'-0" x 5'-0" I.D.
Oil/Water Separator
1,000 Gallon Capacity**

(A) OIL AND WATER SEPARATOR DETAIL
N.T.S.

PRELIMINARY - NOT FOR CONSTRUCTION

REV	DATE	DESCRIPTION
2	04.17.14	FINAL PLAN SUBMISSION TO CITY
1	02.10.14	SUBMITTED TO CITY OF PORTLAND

REVISIONS



PROJECT	PH WARREN AVENUE, LLC COMMERCIAL SITE 421 WARREN AVENUE
SHEET TITLE	DETAILS
CLIENT	PH WARREN AVENUE, LLC C/O PETER HOLMES 12 WILDWOOD LANE SCARBOROUGH, ME 04074

FST <small>ENGINEERS</small> FAY, SPOFFORD & THORNDIKE, INC. <small>ENGINEERS • PLANNERS • SCIENTISTS</small> <small>778 MAIN ST., SUITE 8, SOUTH PORTLAND, ME 04106</small>	
DRAWN: CMW	DATE: NOVEMBER 2013
DESIGNED: SRB	SCALE: AS NOTED
CHECKED: SRB	JOB NO. SP-M104
FILE NAME: SP-M104-DET	
SHEET	C-6.3