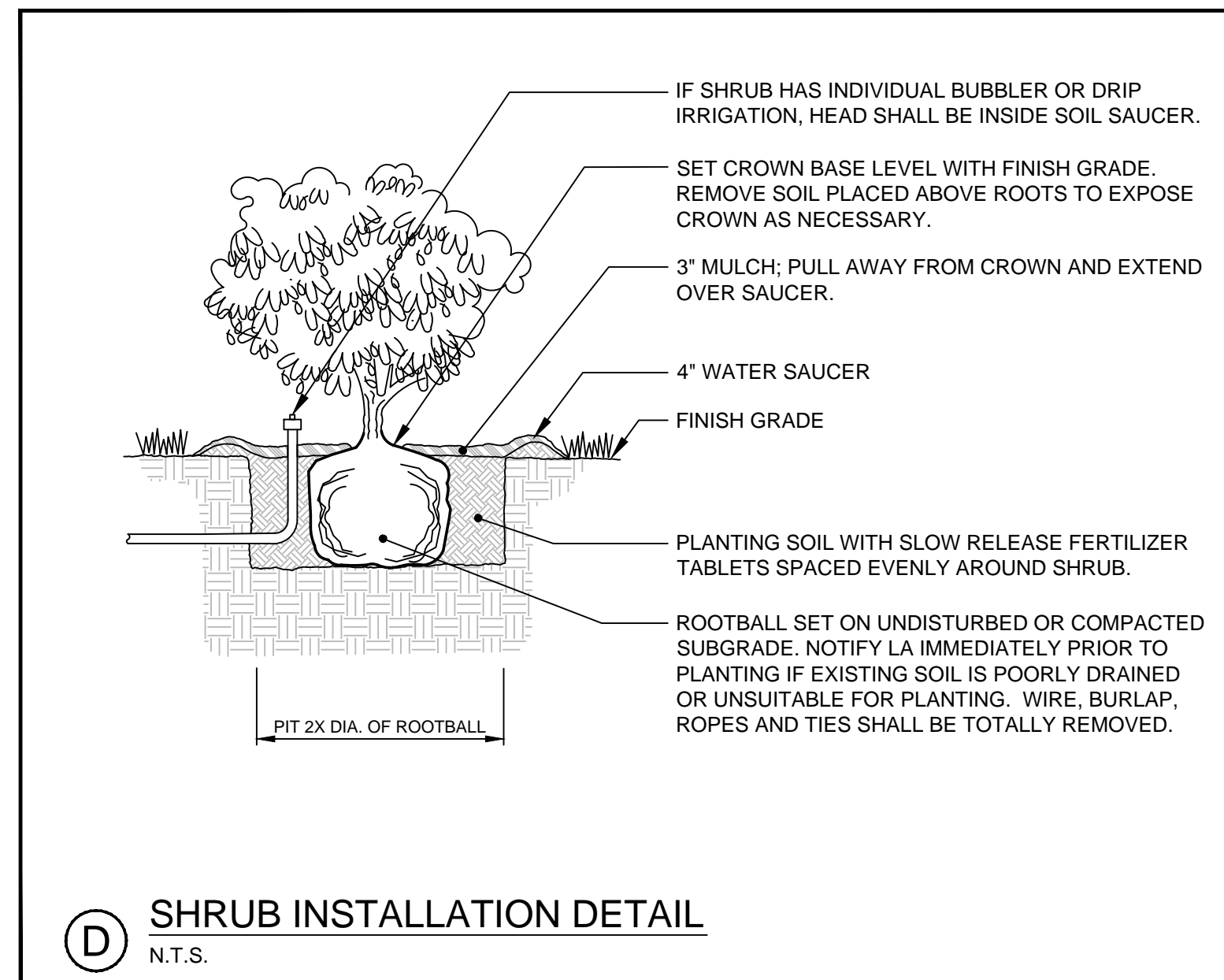
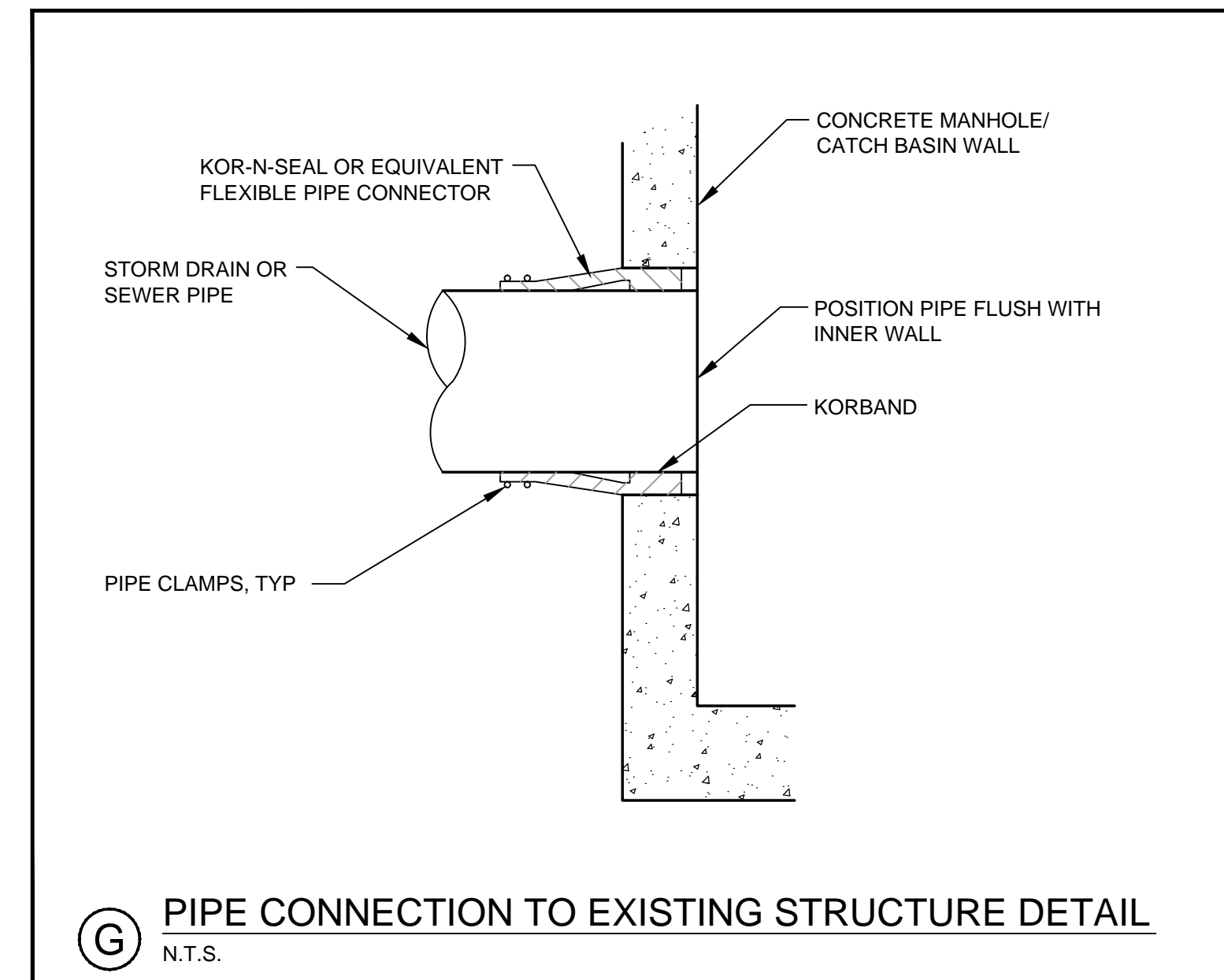


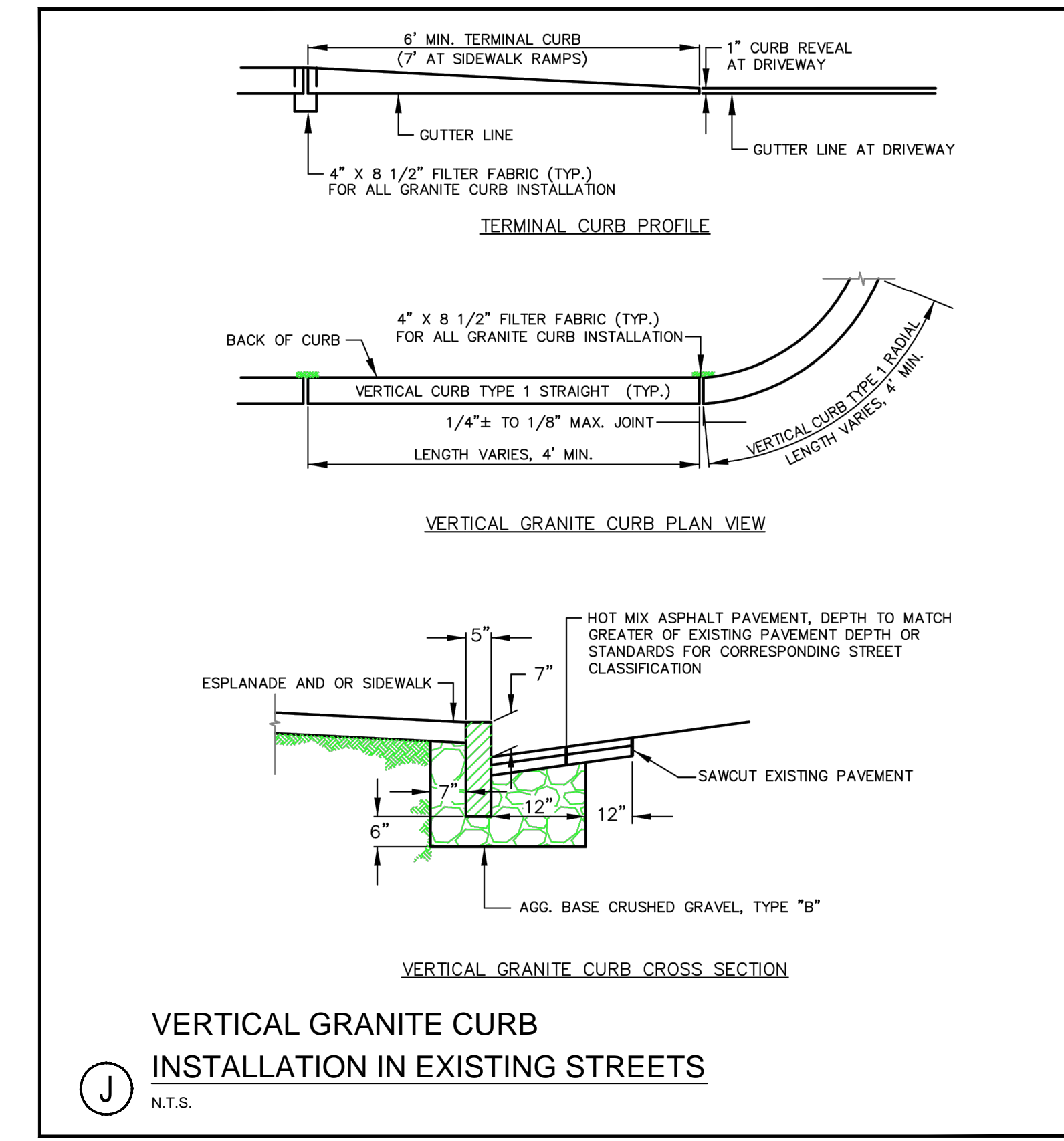
A STANDARD DUTY SLIP FORM CONCRETE CURB
N.T.S.



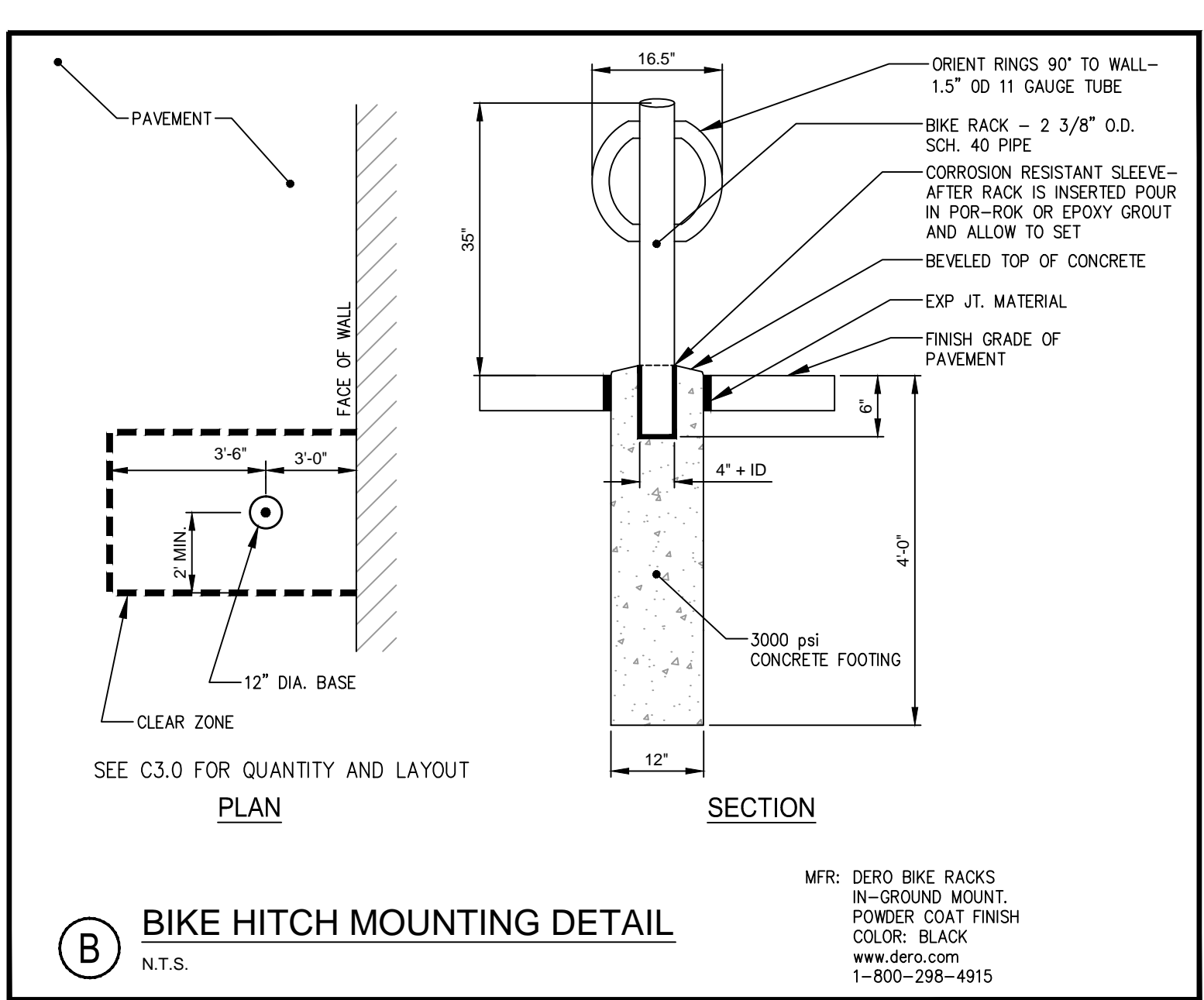
D SHRUB INSTALLATION DETAIL
N.T.S.



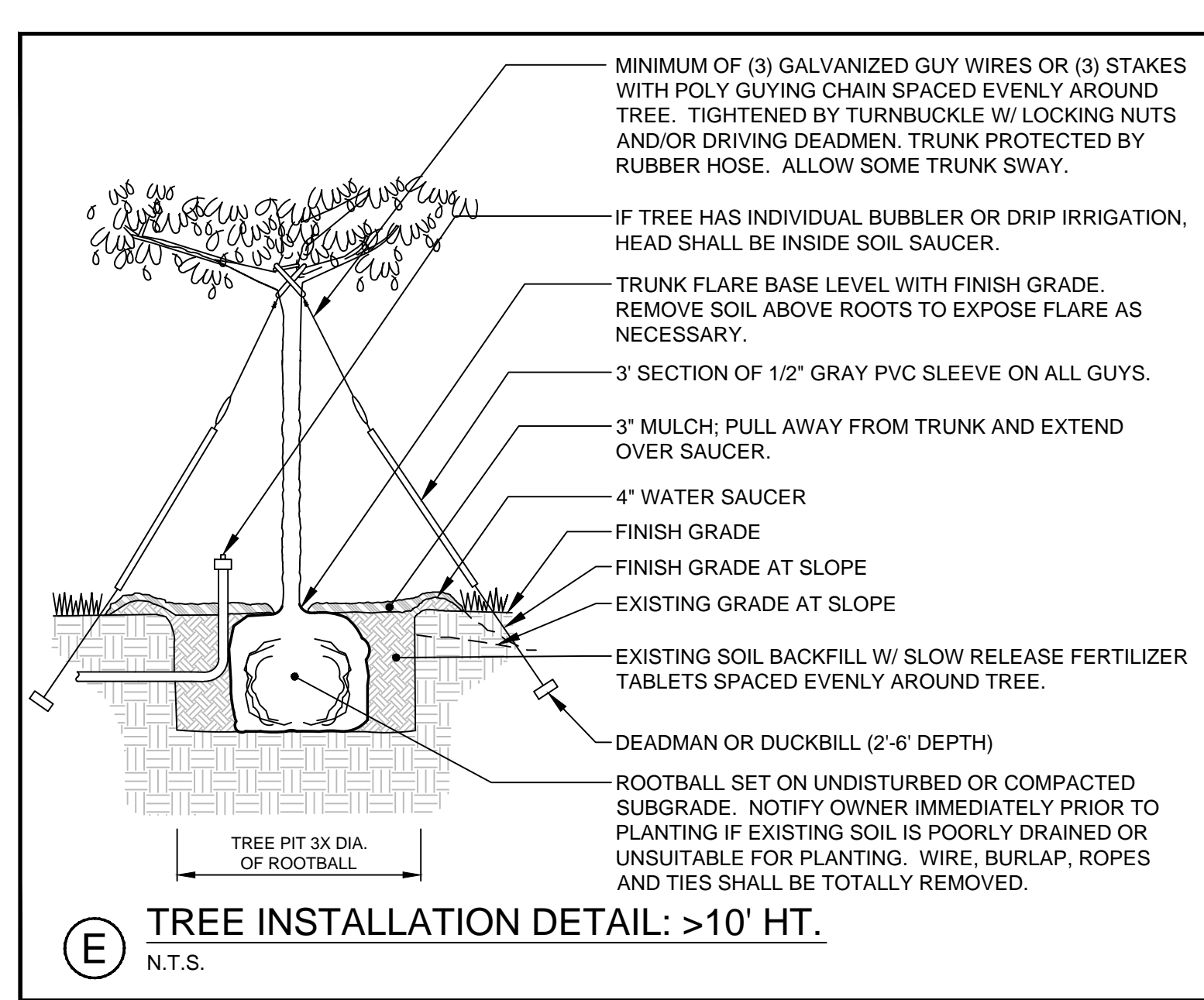
G PIPE CONNECTION TO EXISTING STRUCTURE DETAIL
N.T.S.



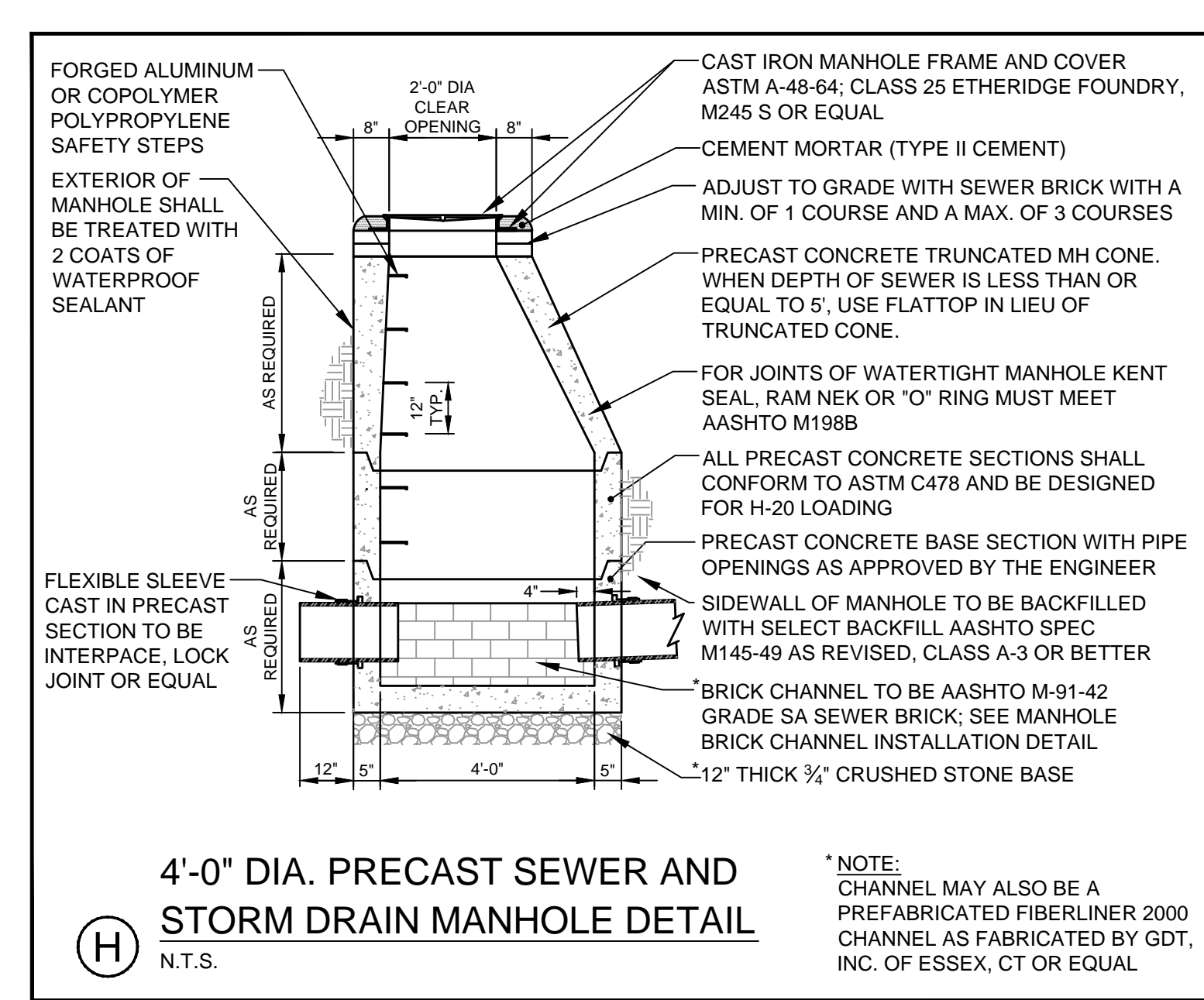
J VERTICAL GRANITE CURB
INSTALLATION IN EXISTING STREETS
N.T.S.



B BIKE HITCH MOUNTING DETAIL
N.T.S.

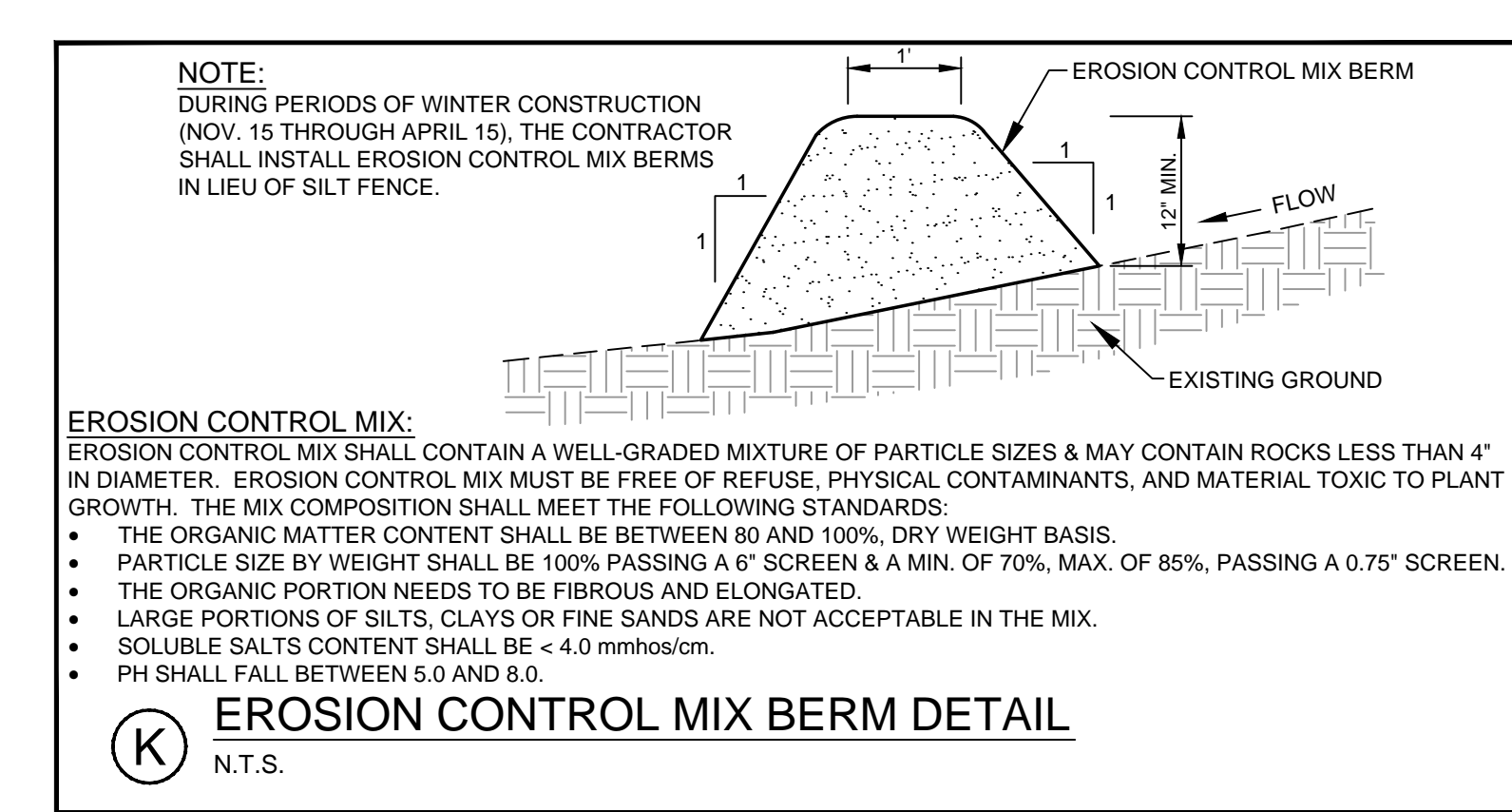


E TREE INSTALLATION DETAIL: >10' HT.
N.T.S.



H 4'-0\"/>

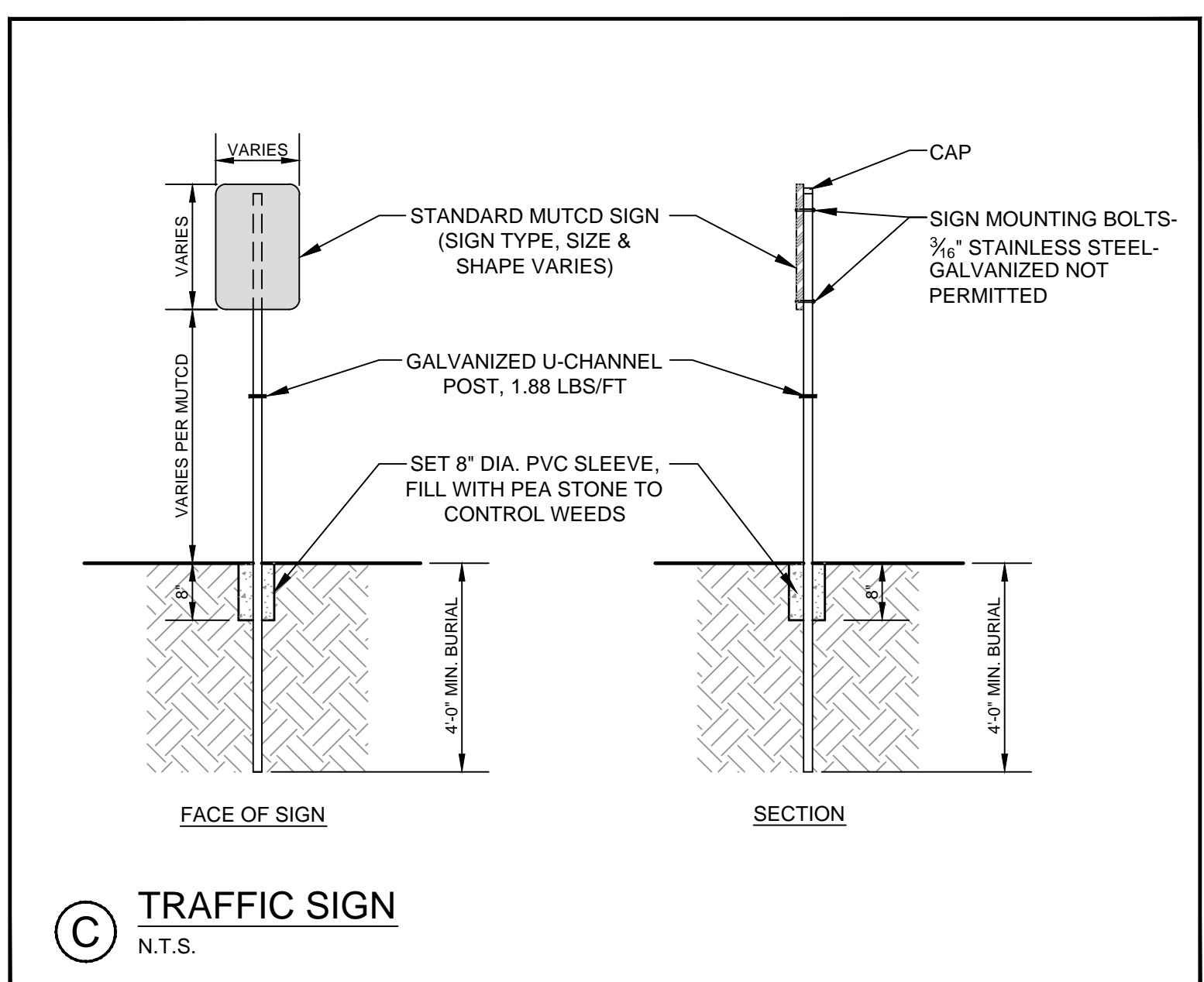
* NOTE: CHANNEL MAY ALSO BE A PREFABRICATED FIBERLINER 2000 CHANNEL AS FABRICATED BY GDT, INC. OF ESSEX, CT OR EQUAL



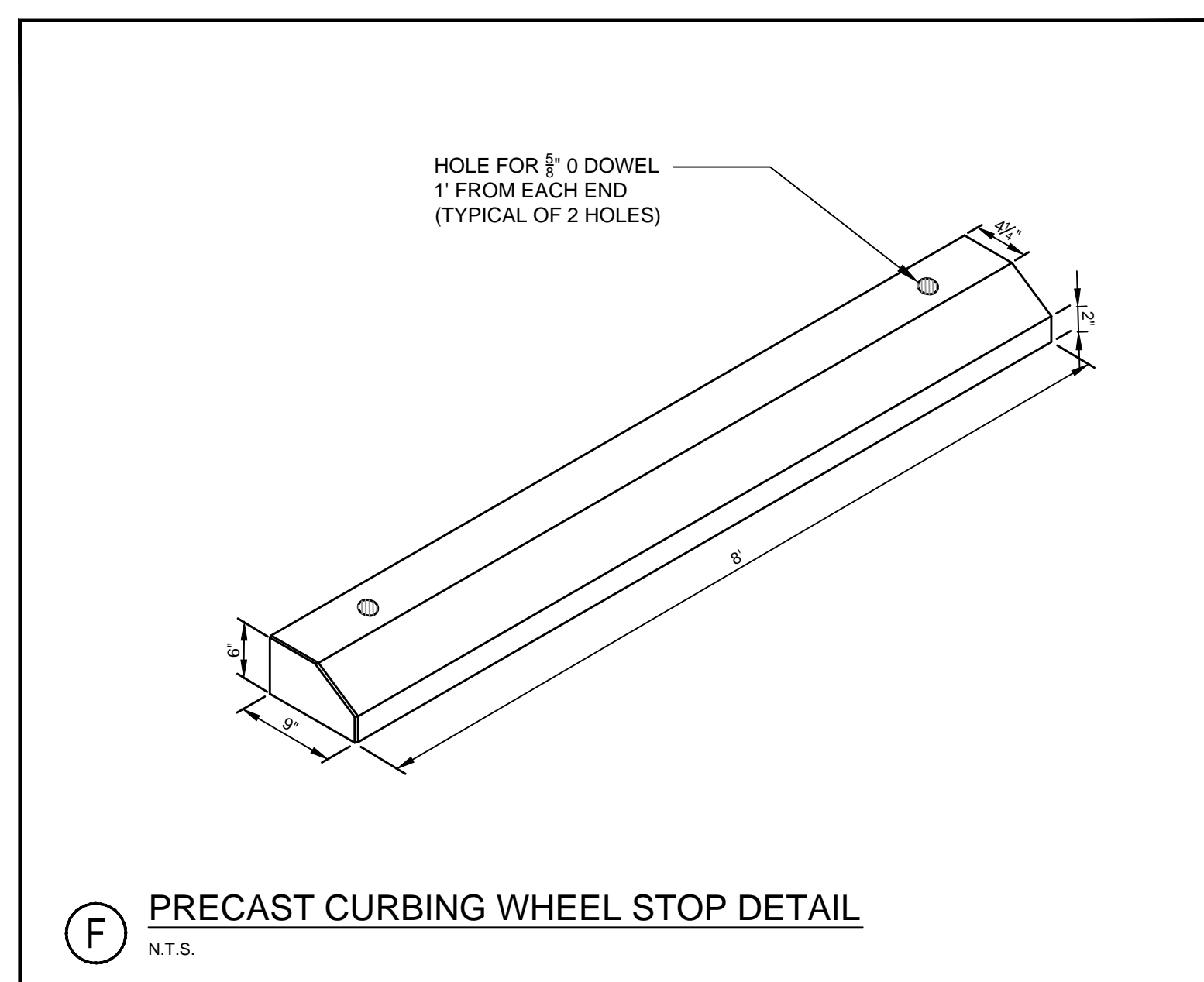
K EROSION CONTROL MIX BERM DETAIL
N.T.S.

NOTE: DURING PERIODS OF WINTER CONSTRUCTION (NOV. 15 THROUGH APRIL 15), THE CONTRACTOR SHALL INSTALL EROSION CONTROL MIX BERMS IN LIEU OF SILT FENCE.

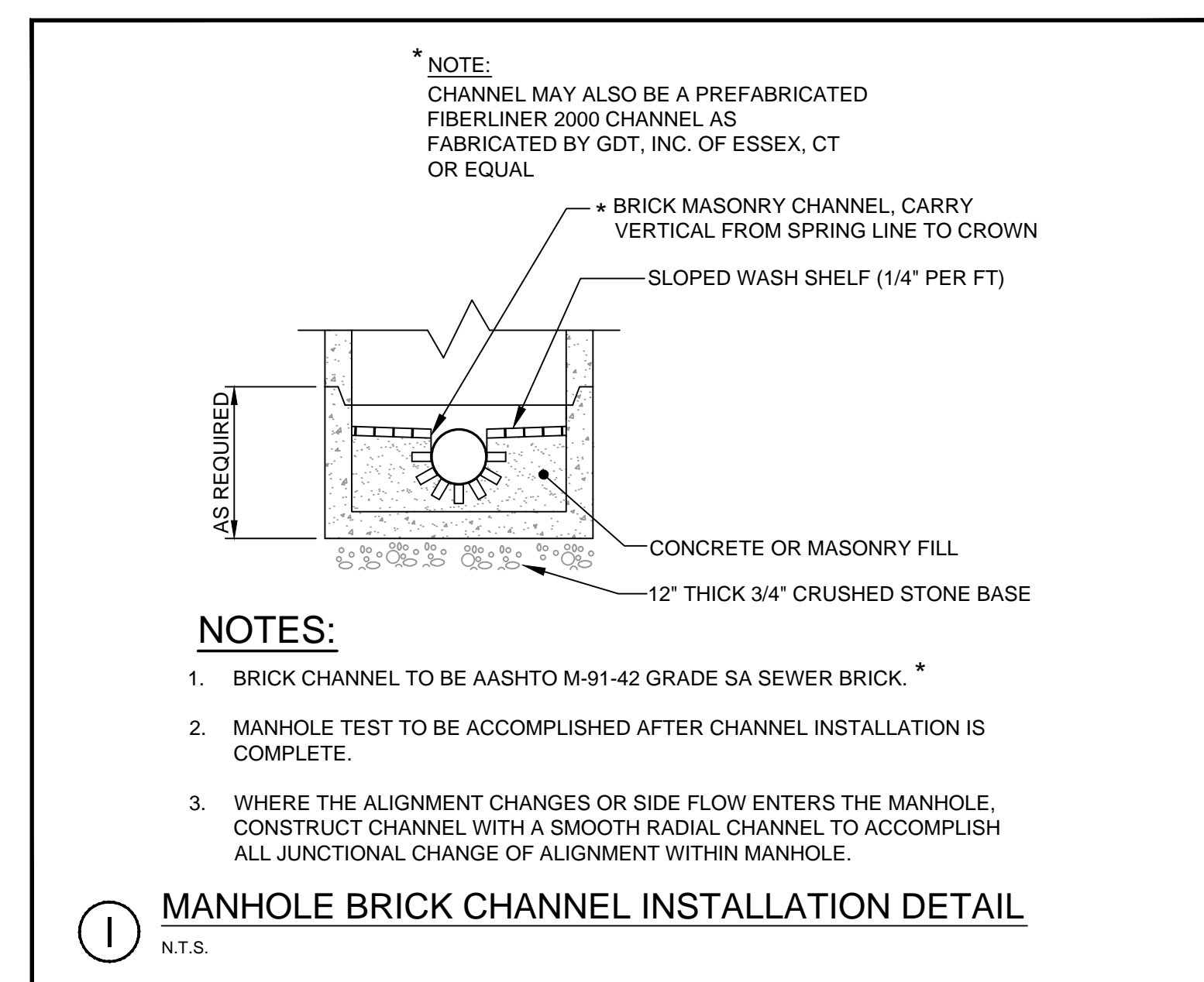
EROSION CONTROL MIX:
EROSION CONTROL MIX SHALL CONTAIN A WELL-GRADED MIXTURE OF PARTICLE SIZES & MAY CONTAIN ROCKS LESS THAN 4\"/>



C TRAFFIC SIGN
N.T.S.



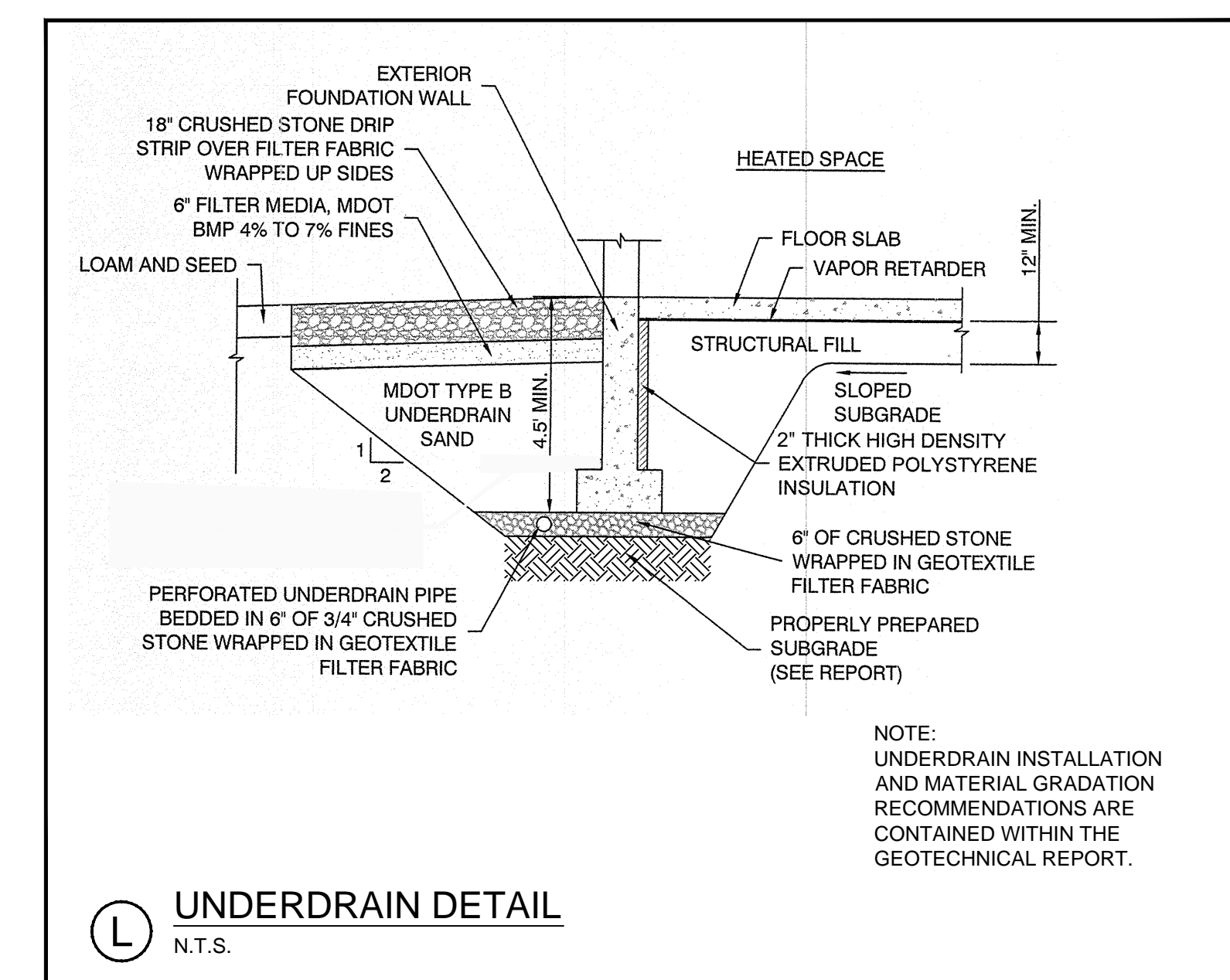
F PRECAST CURBING WHEEL STOP DETAIL
N.T.S.



I MANHOLE BRICK CHANNEL INSTALLATION DETAIL
N.T.S.

* NOTE: CHANNEL MAY ALSO BE A PREFABRICATED FIBERLINER 2000 CHANNEL AS FABRICATED BY GDT, INC. OF ESSEX, CT OR EQUAL

- NOTES:**
- BRICK CHANNEL TO BE AASHTO M-91-42 GRADE SA SEWER BRICK. *
 - MANHOLE TEST TO BE ACCOMPLISHED AFTER CHANNEL INSTALLATION IS COMPLETE.
 - WHERE THE ALIGNMENT CHANGES OR SIDE FLOW ENTERS THE MANHOLE, CONSTRUCT CHANNEL WITH A SMOOTH RADIAL CHANNEL TO ACCOMPLISH ALL JUNCTIONAL CHANGE OF ALIGNMENT WITHIN MANHOLE.

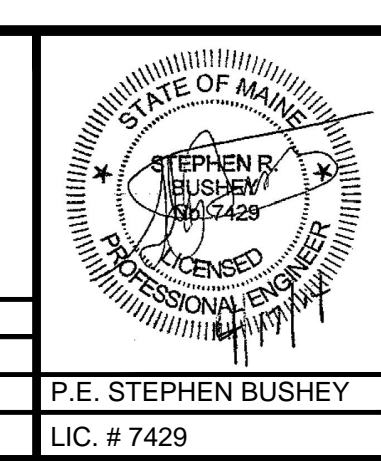


L UNDERDRAIN DETAIL
N.T.S.

NOTE: UNDERDRAIN INSTALLATION AND MATERIAL GRADATION RECOMMENDATIONS ARE CONTAINED WITHIN THE GEOTECHNICAL REPORT.

PRELIMINARY - NOT FOR CONSTRUCTION

REV	DATE	DESCRIPTION
2	04.17.14	FINAL PLAN SUBMISSION TO CITY
1	02.10.14	SUBMITTED TO CITY OF PORTLAND



PROJECT	PH WARREN AVENUE, LLC COMMERCIAL SITE 421 WARREN AVENUE
SHEET TITLE	DETAILS
CLIENT	PH WARREN AVENUE, LLC C/O PETER HOLMES 12 WILDWOOD LANE SCARBOROUGH, ME 04074

ENGINEERS	FST FAY, SPOFFORD & THORNDIKE, INC. ENGINEERS - PLANNERS - SCIENTISTS 778 MAIN ST., SUITE 8, SOUTH PORTLAND, ME 04106		
DRAWN:	CMW	DATE:	NOVEMBER 2013
DESIGNED:	SRB	SCALE:	AS NOTED
CHECKED:	SRB	JOB NO.:	SP-M104
FILE NAME:	SP-M104-DET	SHEET	C-6.1