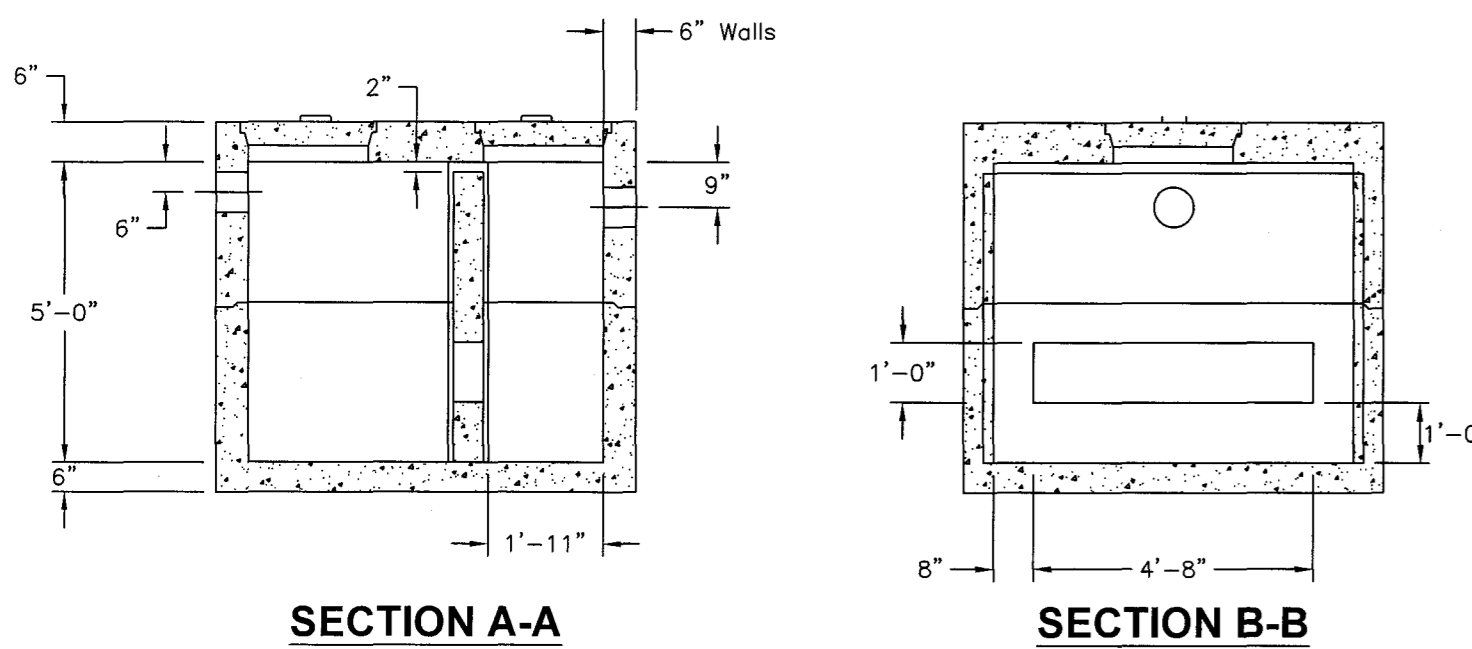
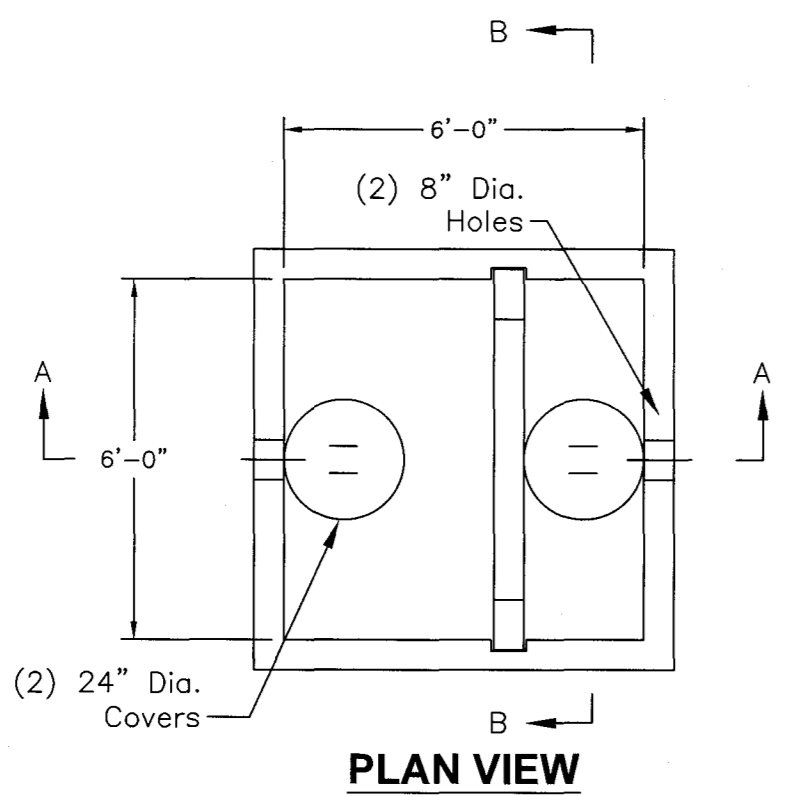


**ISOMETRIC VIEW**



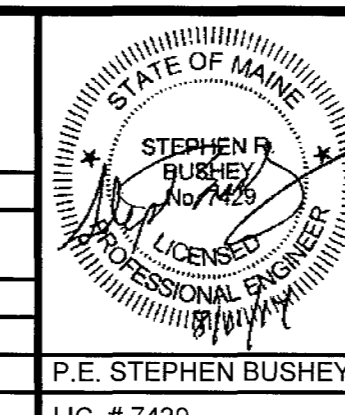
- NOTES:**
- Concrete: 5,000 P.S.I.  
Minimum Strength @ 28 Days
  - Steel Reinforcement- ASTM A-615,  
Grade 60.
  - Cover to Steel-1" Minimum
  - Tanks are Designed to Meet ASTM  
C858 and ACI 318 with AASHTO  
HS-20 Loading
  - Earth Cover-0 to 5 Feet  
Minimum
  - Construction Joint-Sealed with  
1" Dia. Butyl Rubber or Equivalent
  - Approx. Wt. Top Pc. = 6.3 Tons  
Approx. Wt. Bottom Pc. = 6.3 Tons
  - This Print is an Example of an O/W  
Separator and is not Designed for  
Specific Performance Ratings.  
Openings can be Modified for  
Specific Project Requirements.



**6'-0" x 6'-0" x 5'-0" I.D.  
Oil/Water Separator  
1,000 Gallon Capacity**

**A OIL AND WATER SEPARATOR DETAIL**  
N.T.S.

| REV | DATE     | DESCRIPTION   | P.E. STEPHEN BUSHEY<br>LIC. # 7429 |
|-----|----------|---|------------------------------------|
| 4   | 08.11.14 | RELEASED TO CITY - FINAL PLANS                              |                                    |
| 3   | 07.03.14 | FINAL PLAN SUBMISSION TO CITY PER<br>CONDITIONS OF APPROVAL |                                    |
| 2   | 04.17.14 | FINAL PLAN SUBMISSION TO CITY                               |                                    |
| 1   | 02.10.14 | SUBMITTED TO CITY OF PORTLAND                               |                                    |



PROJECT PH WARREN AVENUE, LLC  
COMMERCIAL SITE  
421 WARREN AVENUE

SHEET TITLE  
**DETAILS**

CLIENT PH WARREN AVENUE, LLC  
C/O PETER HOLMES  
12 WILDWOOD LANE  
SCARBOROUGH, ME 04074

ENGINEERS  
**FST**  
FAY, SPOFFORD & THORNDIKE, INC.  
ENGINEERS · PLANNERS · SCIENTISTS  
778 MAIN ST, SUITE 8, SOUTH PORTLAND, ME 04106

DRAWN: CMW DATE: NOVEMBER 2013  
DESIGNED: SRB SCALE: AS NOTED  
CHECKED: SRB JOB NO. SP-M104  
FILE NAME: SP-M104-DET  
SHEET **C-6.3**