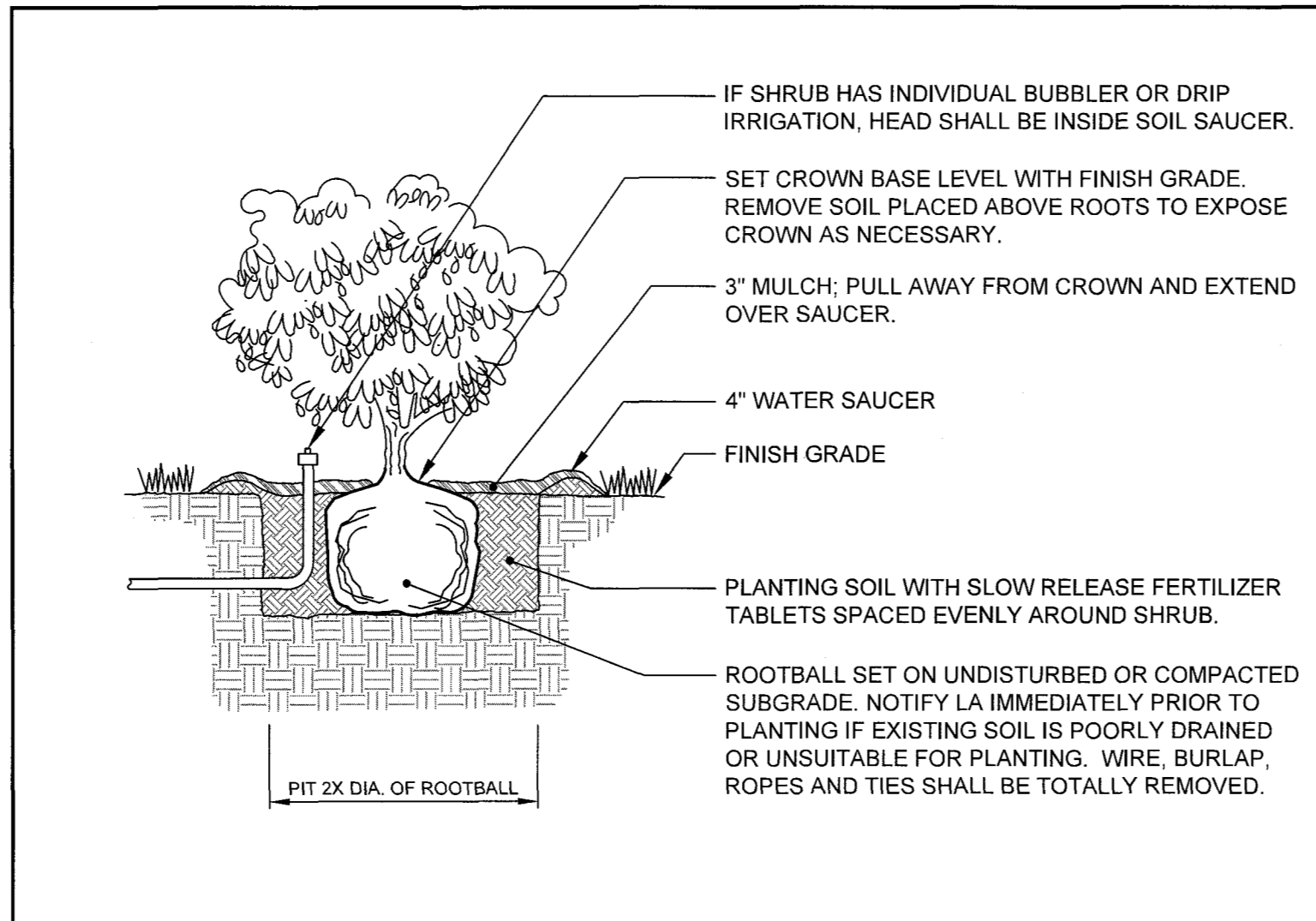
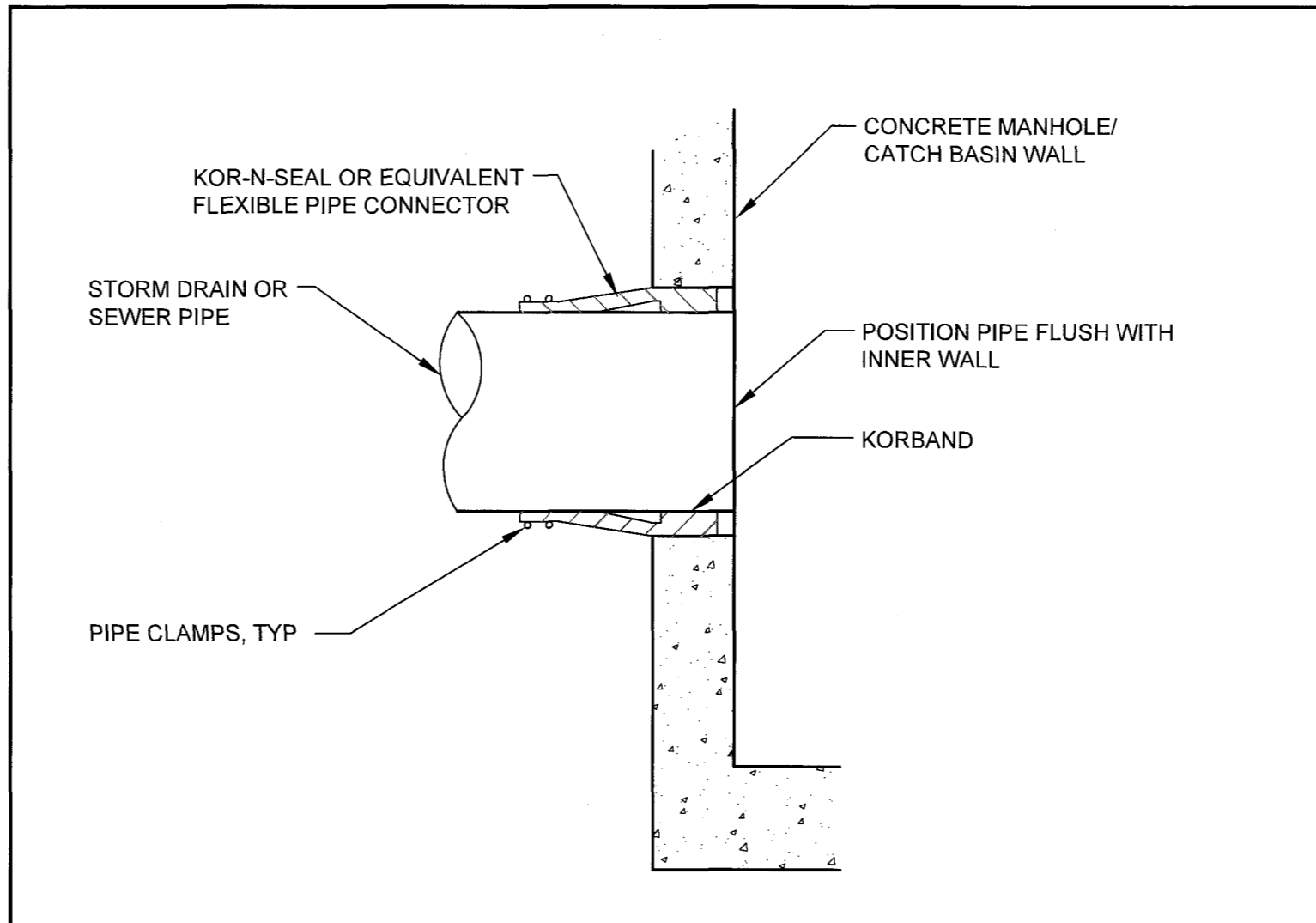


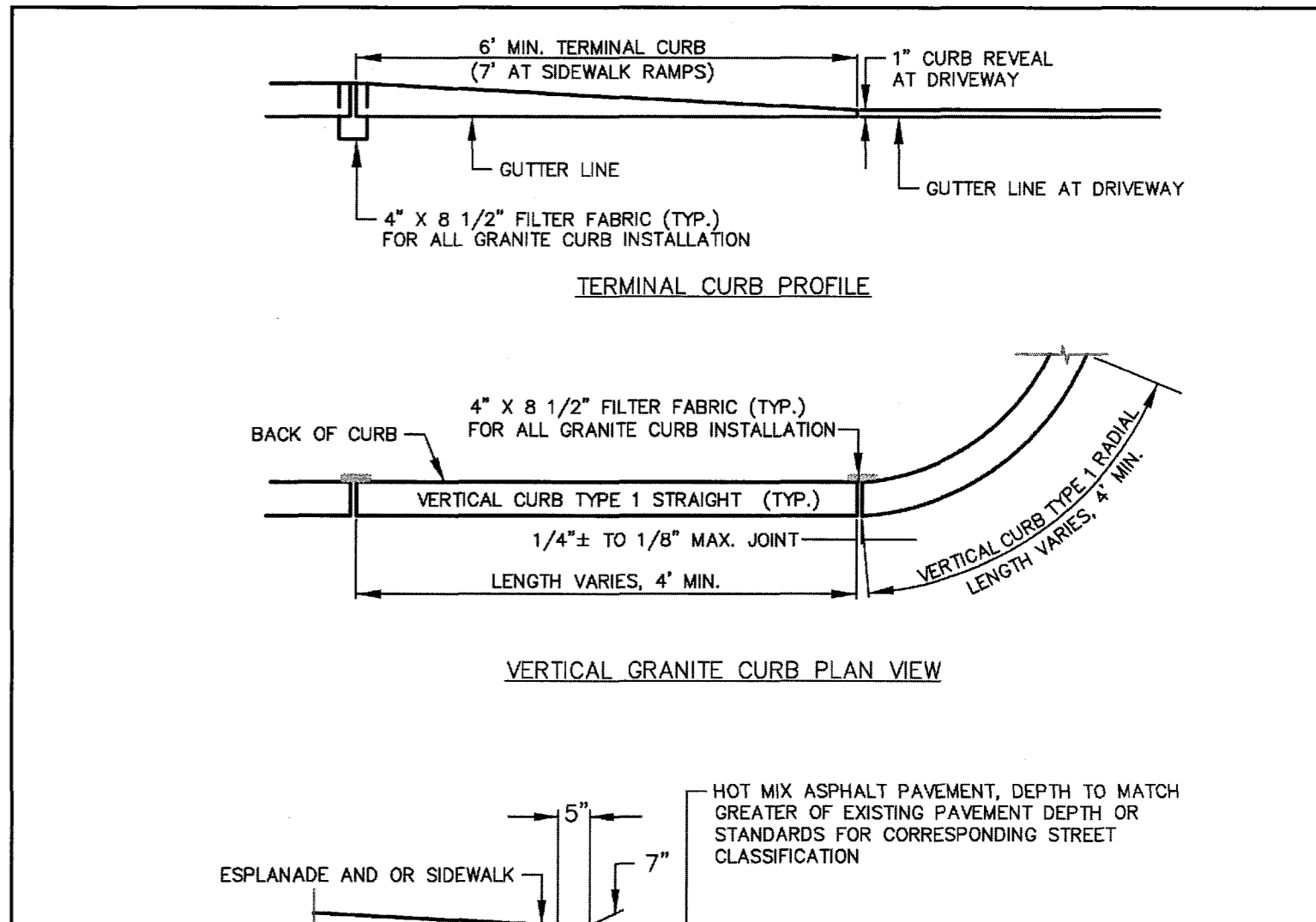
**A** STANDARD DUTY SLIP FORM CONCRETE CURB  
N.T.S.



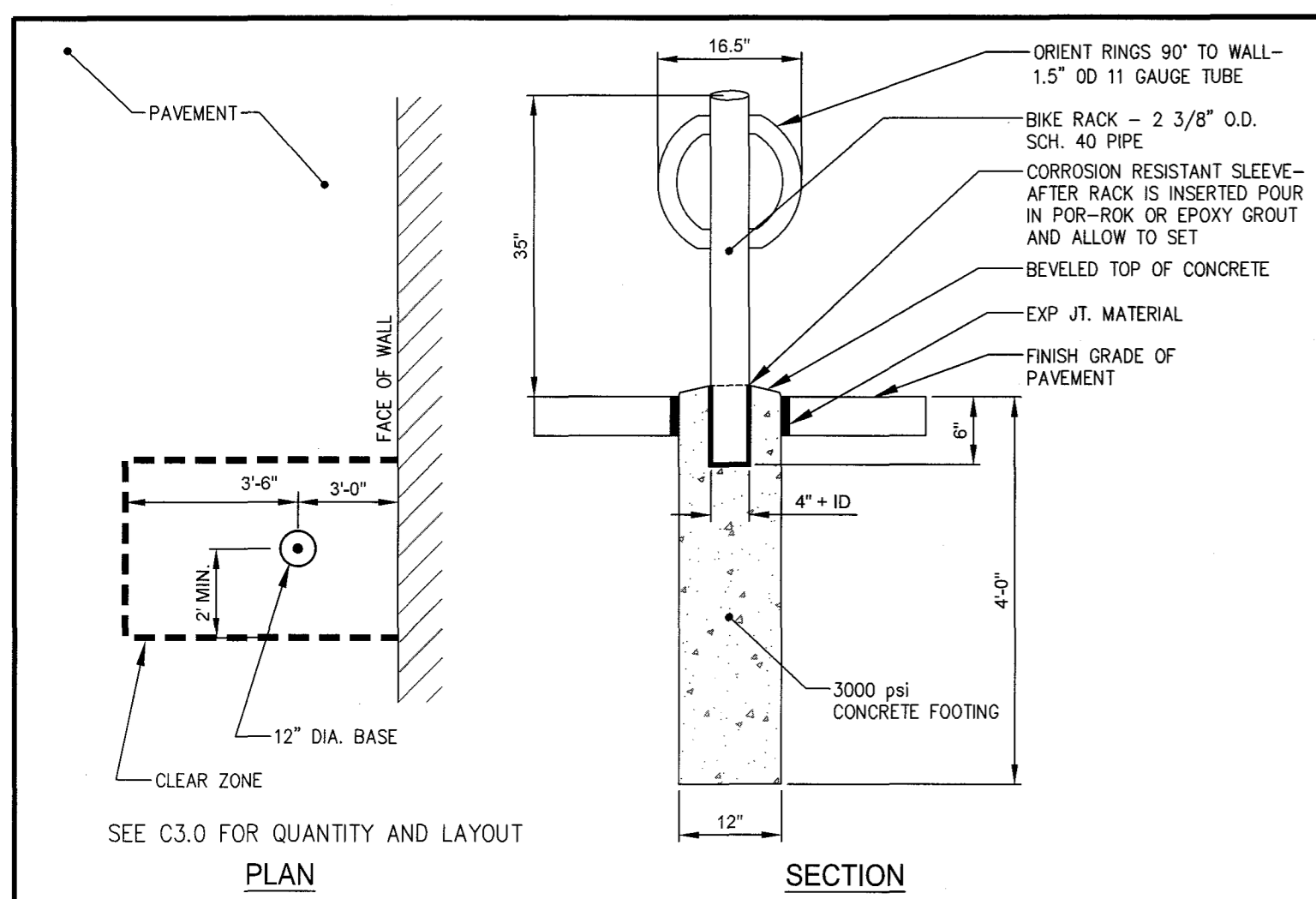
**D** SHRUB INSTALLATION DETAIL  
N.T.S.



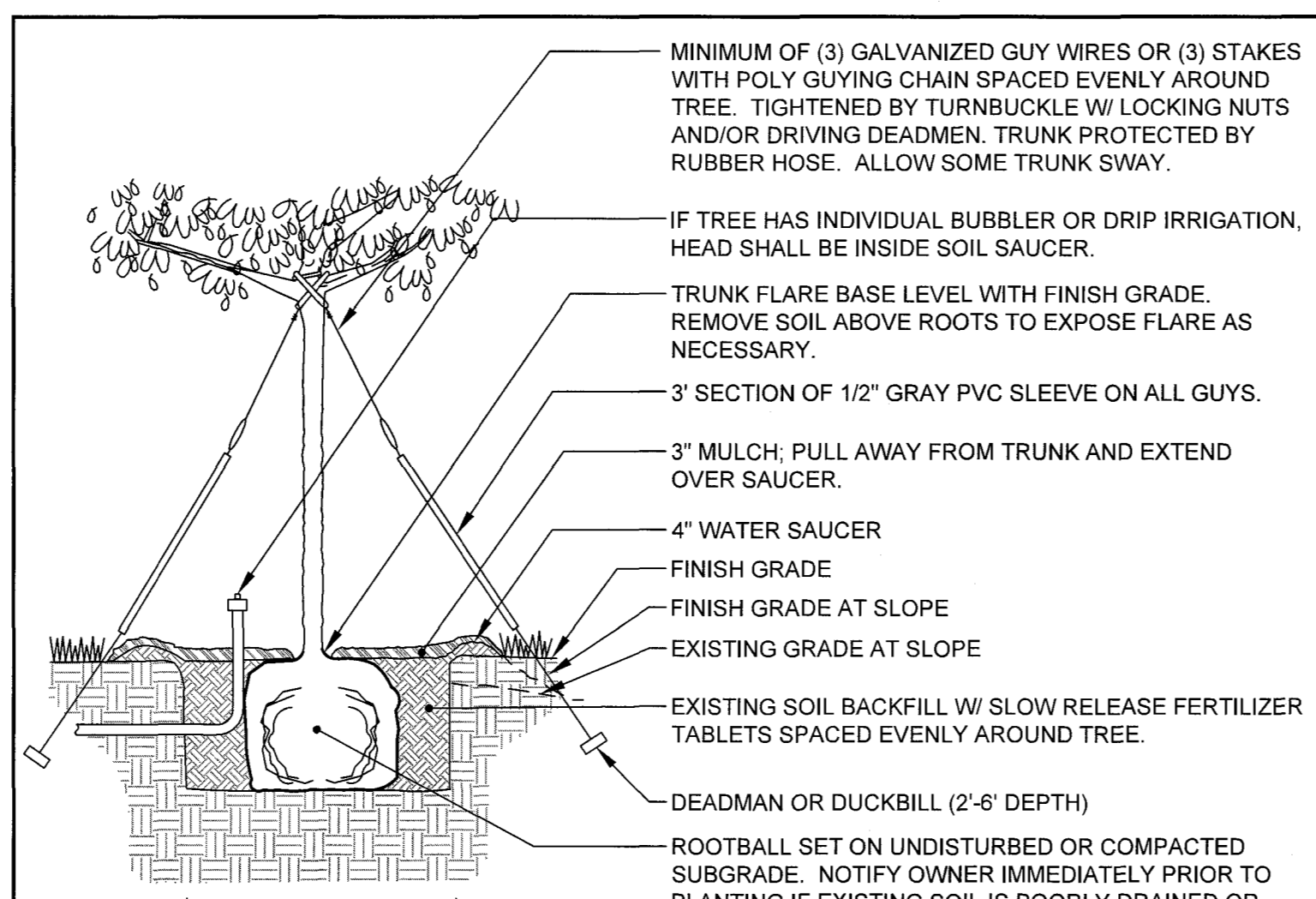
**G** PIPE CONNECTION TO EXISTING STRUCTURE DETAIL  
N.T.S.



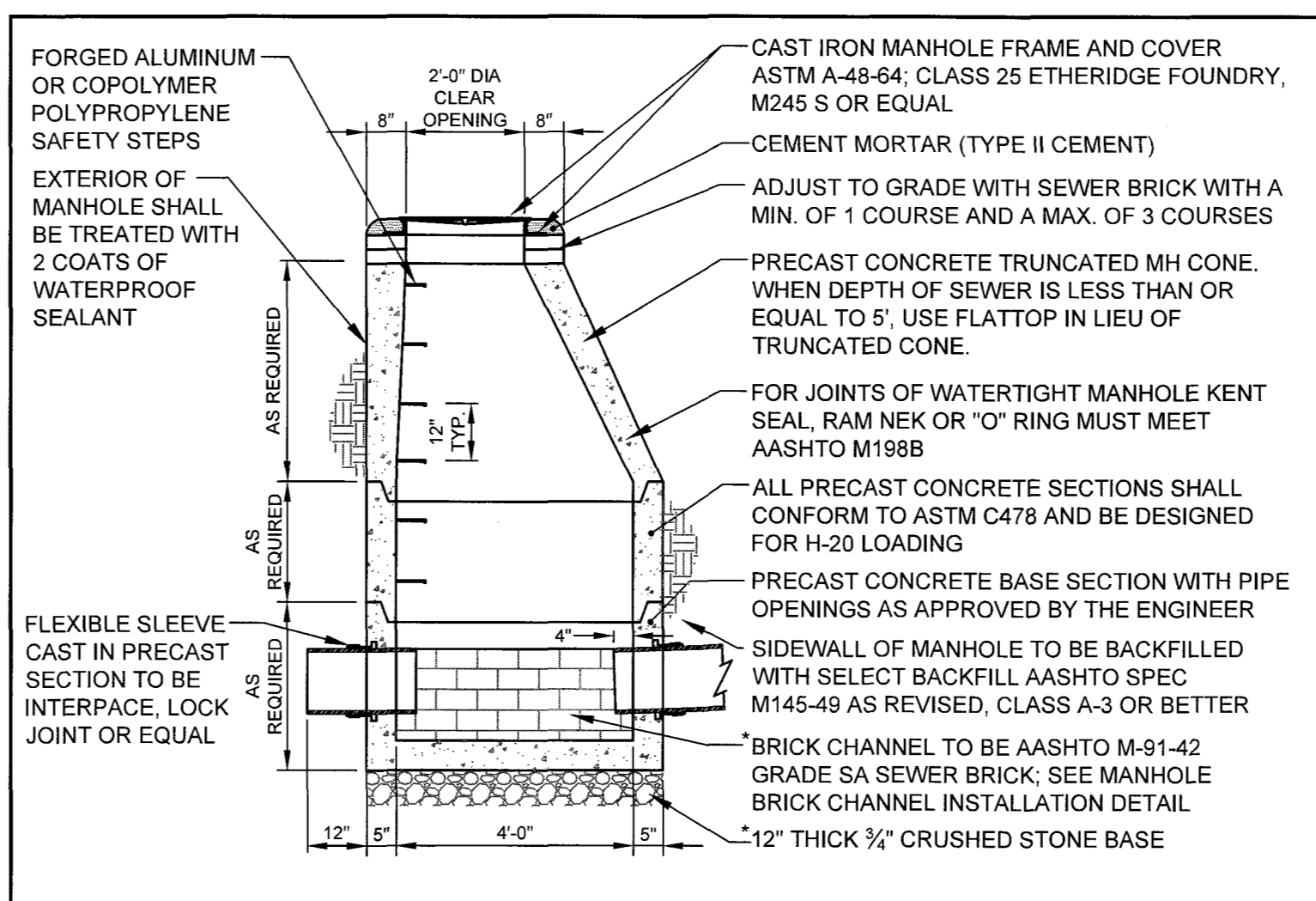
**J** VERTICAL GRANITE CURB  
INSTALLATION IN EXISTING STREETS  
N.T.S.



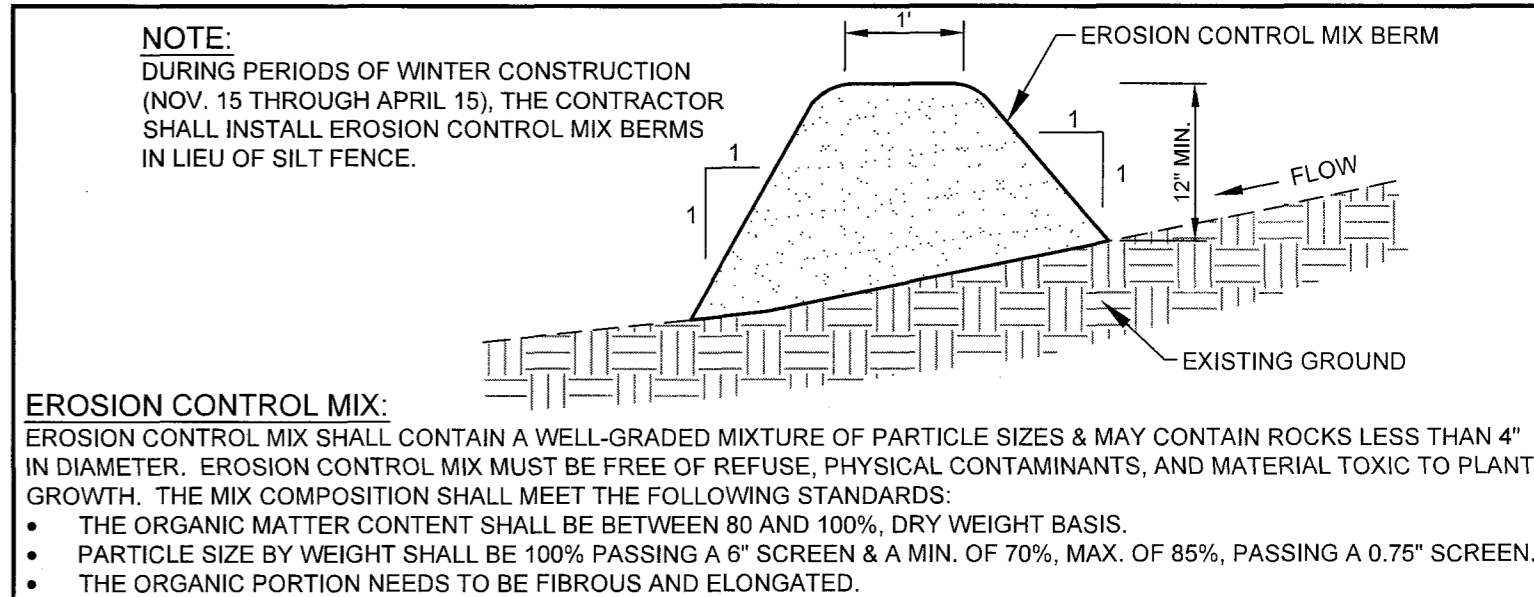
**B** BIKE HITCH MOUNTING DETAIL  
N.T.S.



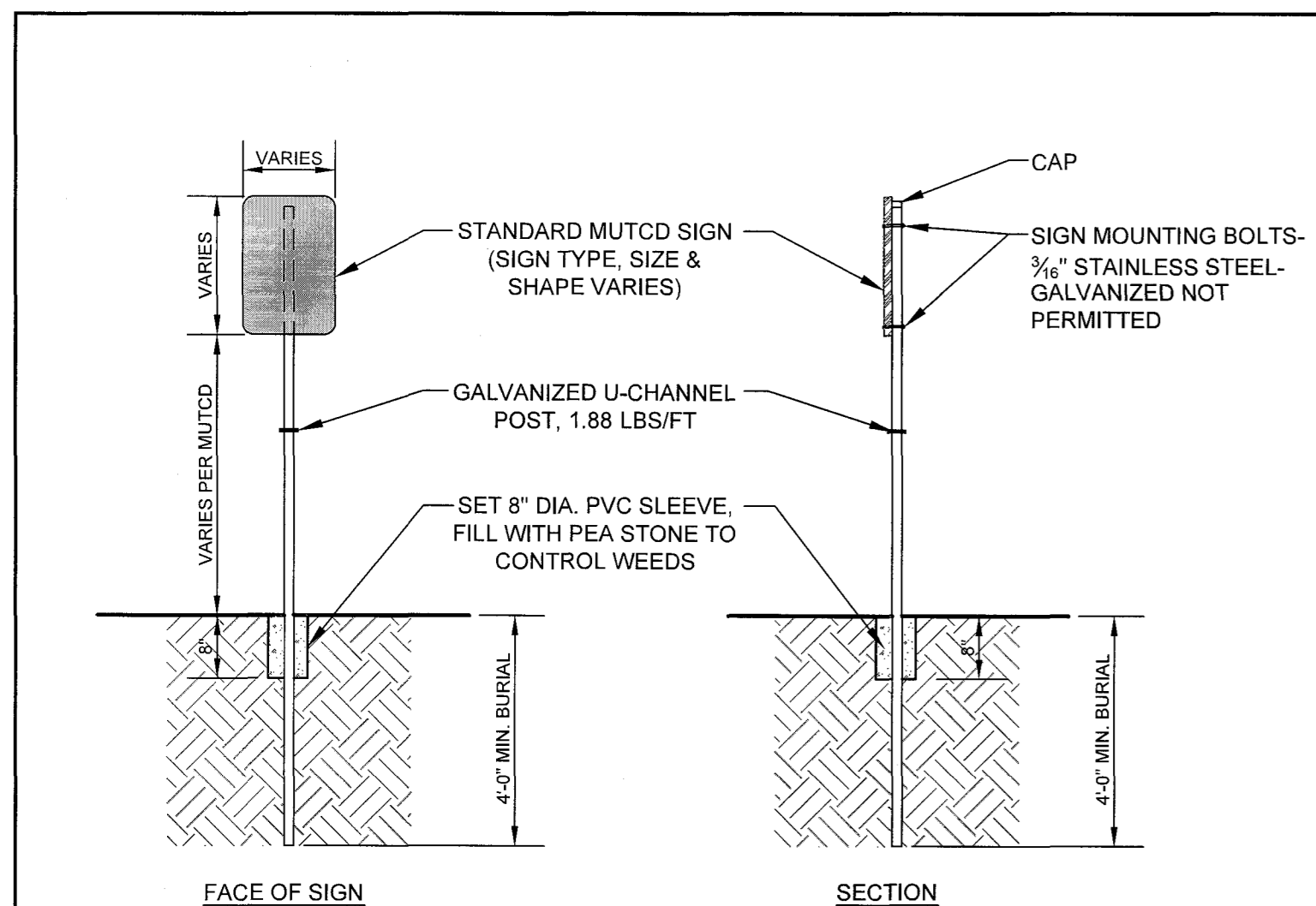
**E** TREE INSTALLATION DETAIL: > 10' HT.  
N.T.S.



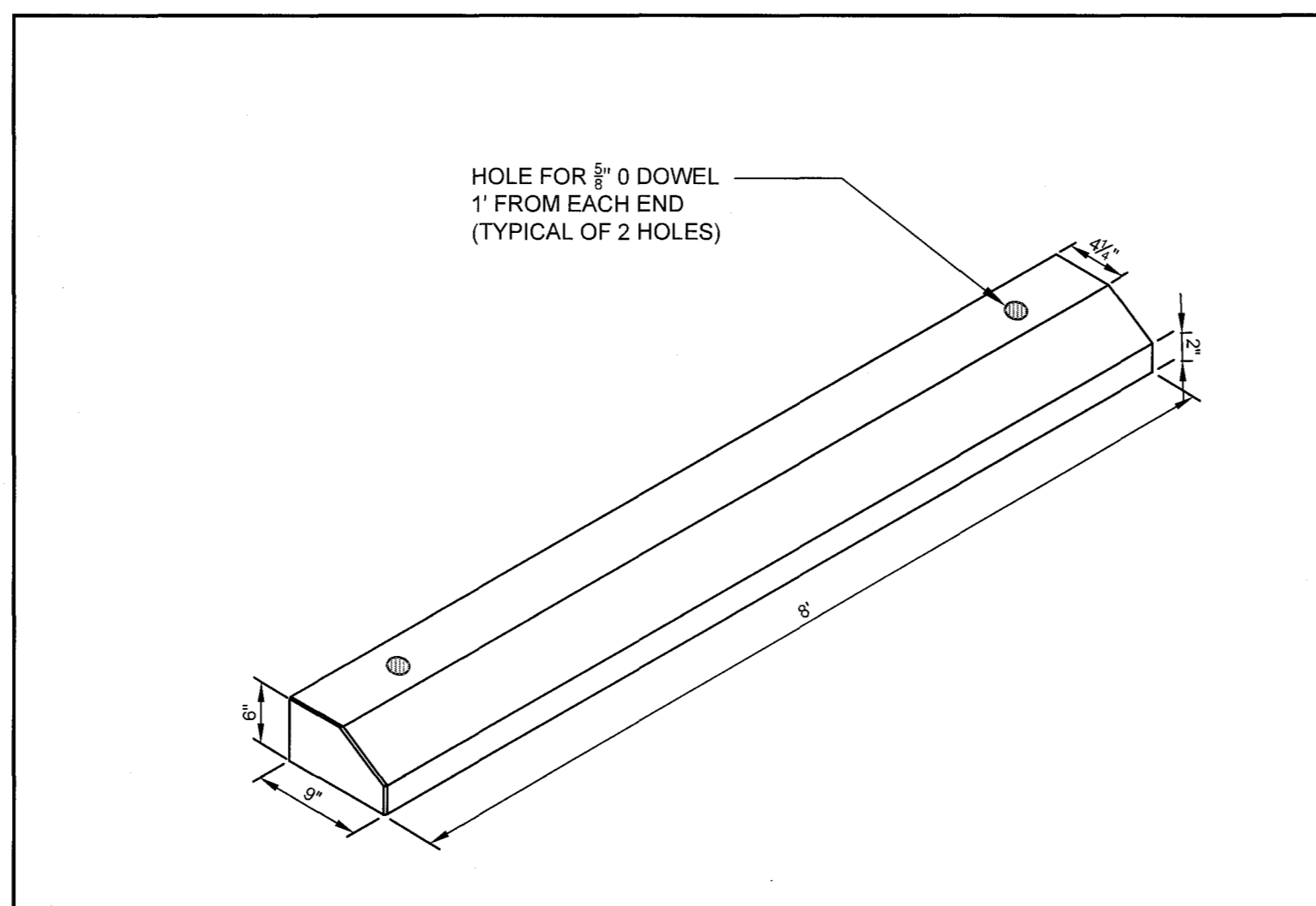
**H** 4'-0" DIA. PRECAST SEWER AND STORM DRAIN MANHOLE DETAIL  
N.T.S.



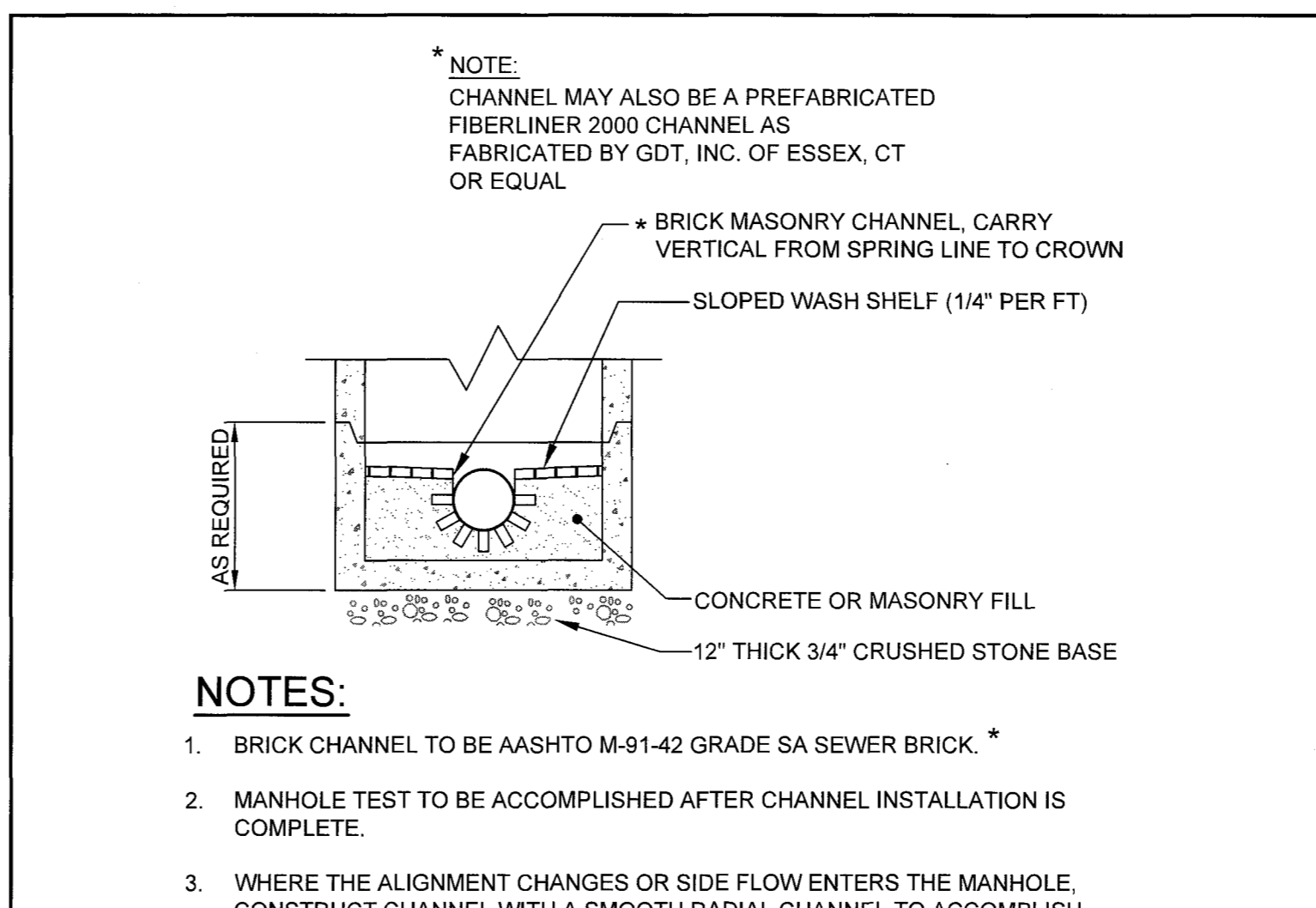
**K** EROSION CONTROL MIX BERM DETAIL  
N.T.S.



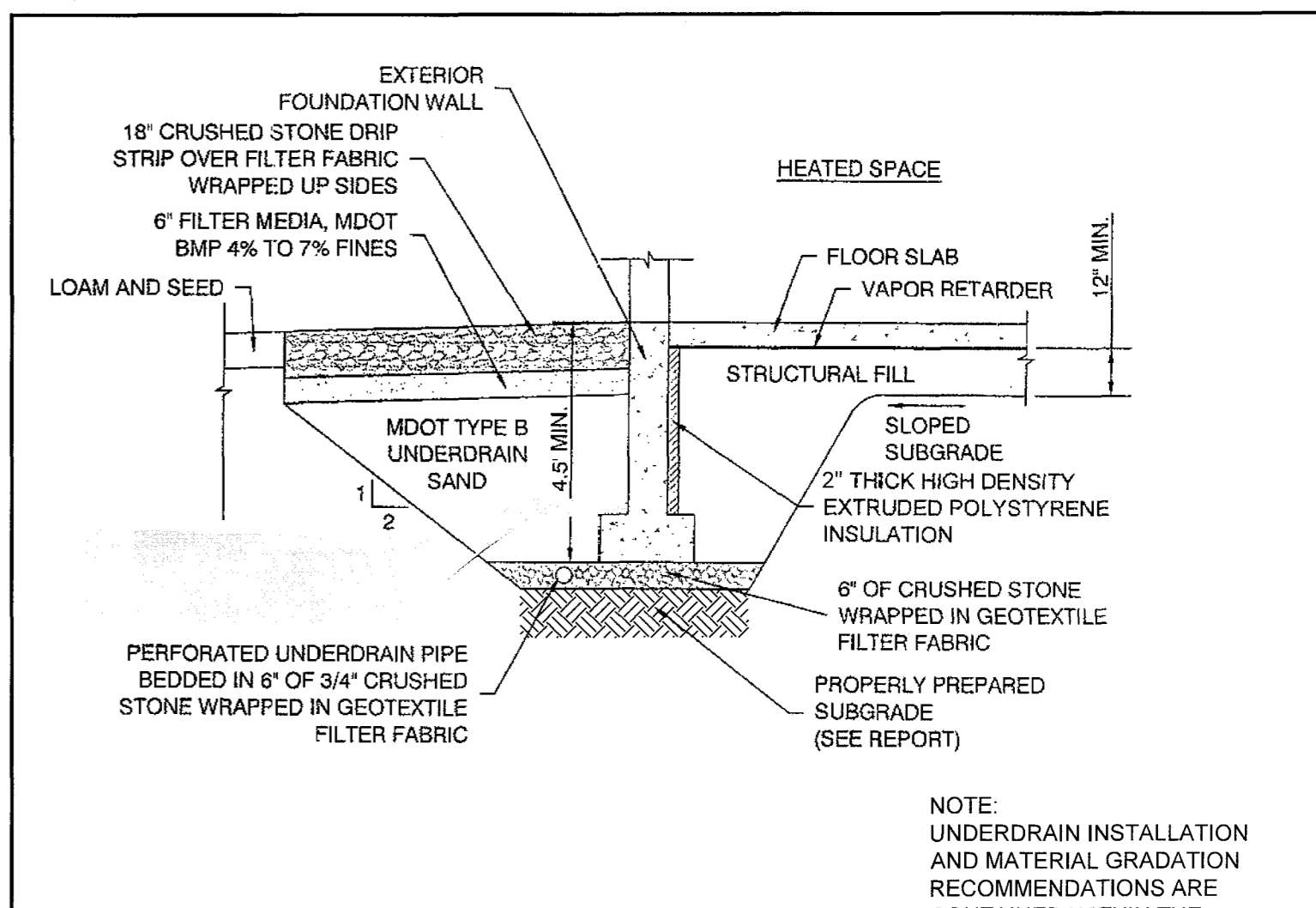
**C** TRAFFIC SIGN  
N.T.S.



**F** PRECAST CURBING WHEEL STOP DETAIL  
N.T.S.

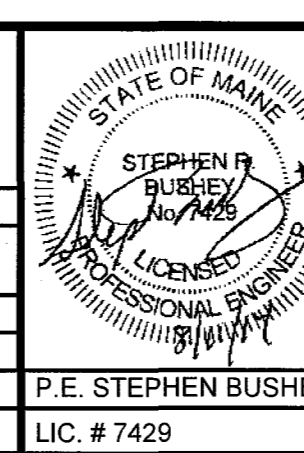


**I** MANHOLE BRICK CHANNEL INSTALLATION DETAIL  
N.T.S.



**L** UNDERDRAIN DETAIL  
N.T.S.

REV	DATE	DESCRIPTION
4	08.11.14	RELEASED TO CITY - FINAL PLANS
3	07.03.14	FINAL PLAN SUBMISSION TO CITY PER CONDITIONS OF APPROVAL
2	04.17.14	FINAL PLAN SUBMISSION TO CITY
1	02.10.14	SUBMITTED TO CITY OF PORTLAND
REV	DATE	DESCRIPTION



PROJECT	PH WARREN AVENUE, LLC COMMERCIAL SITE 421 WARREN AVENUE
SHEET TITLE	DETAILS
CLIENT	PH WARREN AVENUE, LLC C/O PETER HOLMES 12 WILDWOOD LANE SCARBOROUGH, ME 04074

ENGINEERS	<b>FST</b> FAY, SPOFFORD & THORNDIKE, INC. ENGINEERS · PLANNERS · SCIENTISTS 77B MAIN ST, SUITE 8, SOUTH PORTLAND, ME 04106
DRAWN:	CMW
DESIGNED:	SRB
CHECKED:	SRB
FILE NAME:	SP-M104-DET
SHEET	C-6.1