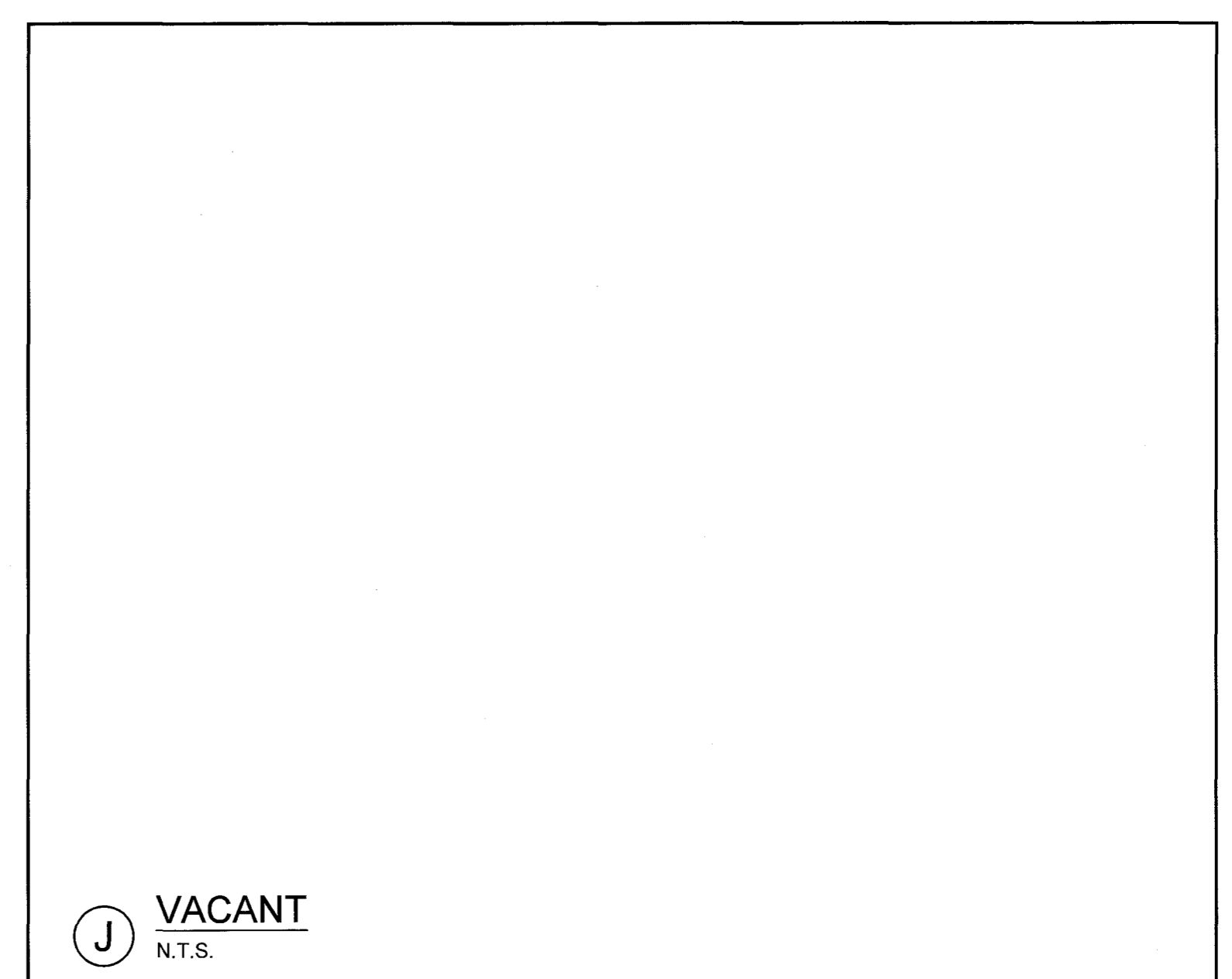
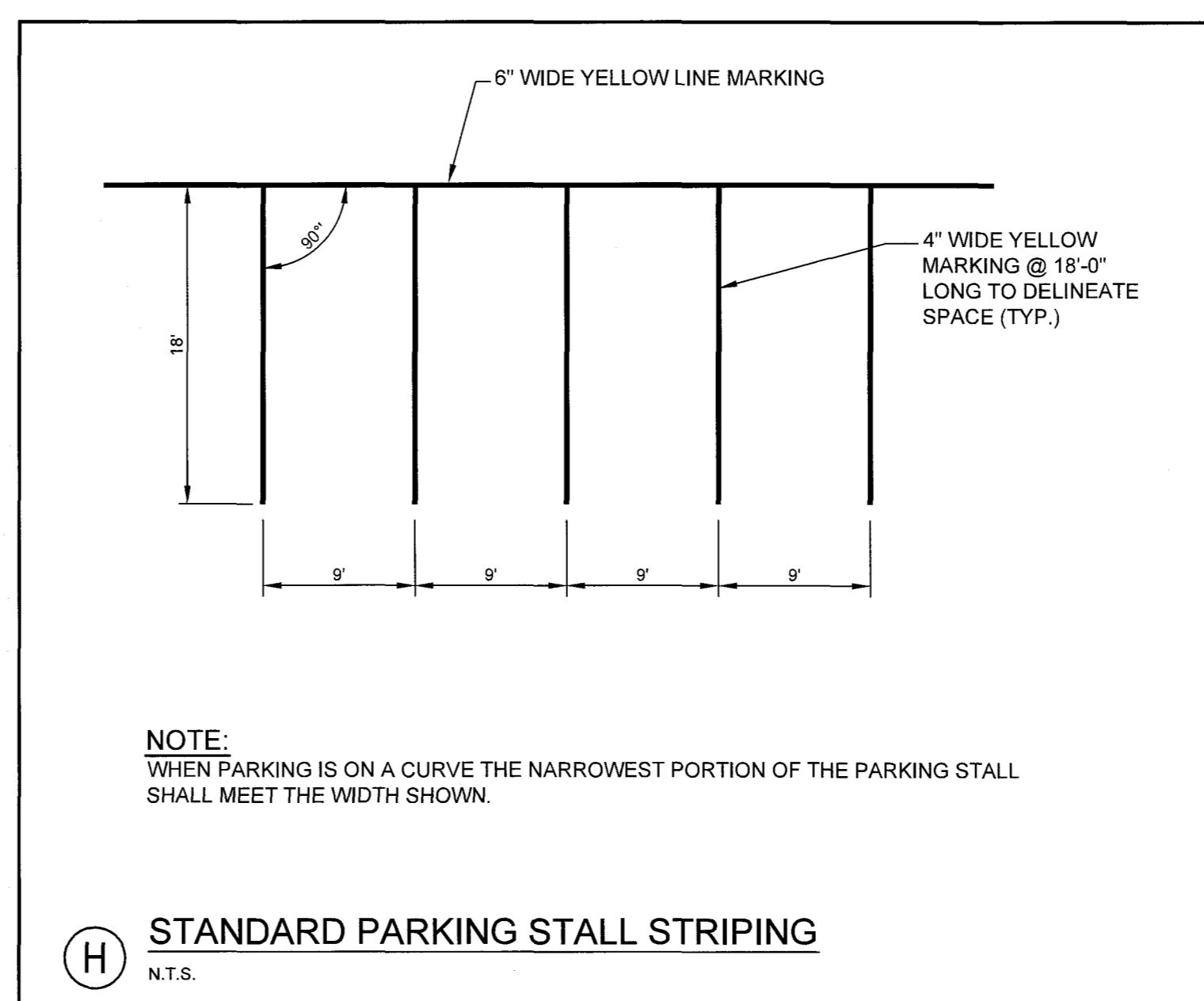
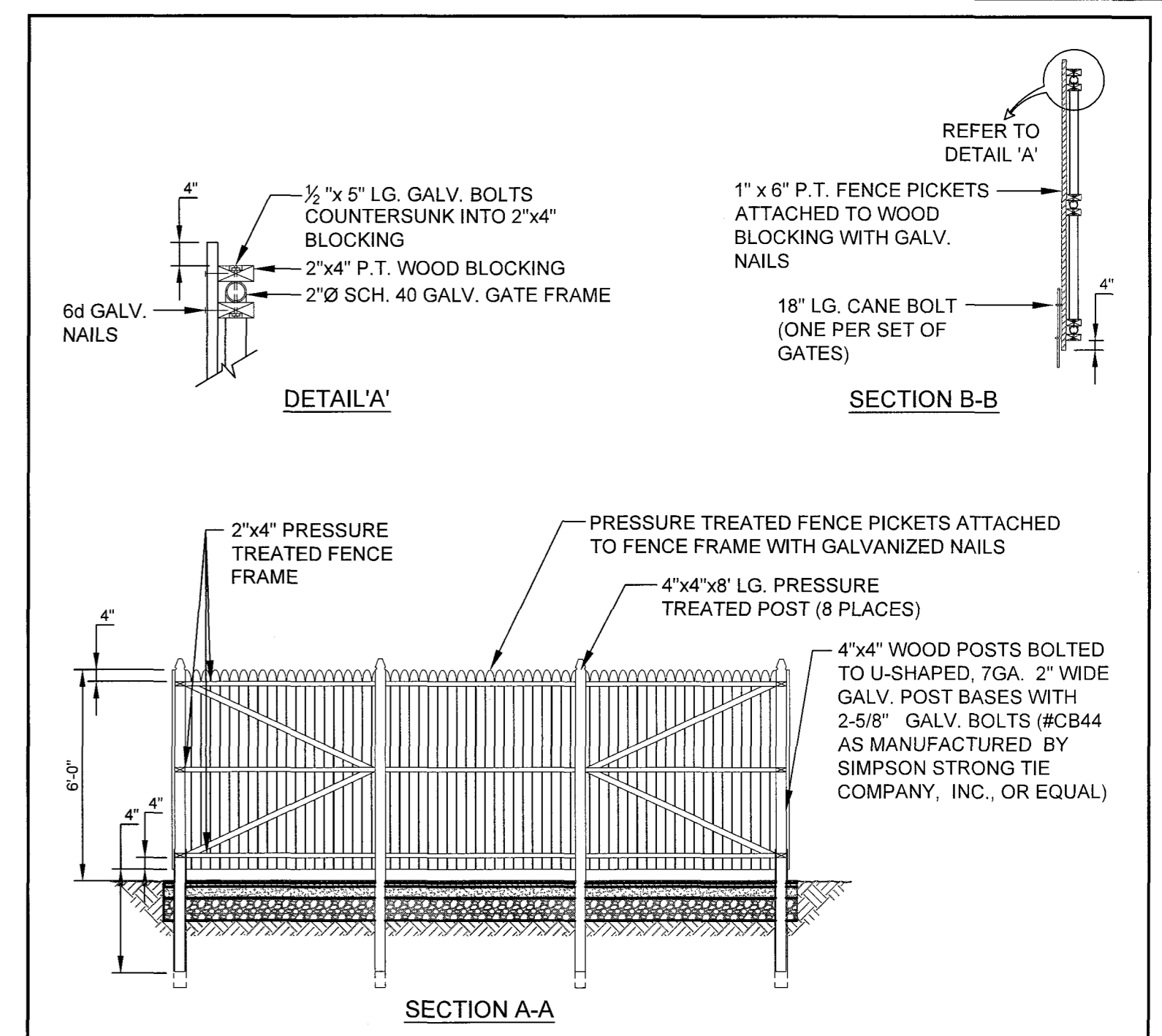


SCHEDULE OF BASE BACKFILL

| TYPE OF PIPE | BEDDING MATERIAL | SPECIAL BACKFILL | SPECIAL BACKFILL COVER "A" (IN) | SELECT BACKFILL |
|--------------|---------------------------------------|---------------------------------------|---------------------------------|---------------------------------------|
| CONCRETE | GRANULAR AASHTO M145 49-A-3 OR BETTER | GRANULAR AASHTO M145 49-A-3 OR BETTER | 12 | GRANULAR AASHTO M145 49-A-3 OR BETTER |
| PVC/HDPE | 3/4" CRUSHED STONE | GRANULAR AASHTO M145 49-A-3 OR BETTER | 6 | GRANULAR AASHTO M145 49-A-3 OR BETTER |
| CMP | 3/4" CRUSHED STONE | GRANULAR AASHTO M145 49-A-3 OR BETTER | 6 | GRANULAR AASHTO M145 49-A-3 OR BETTER |
| D.I. | GRANULAR AASHTO M145-49 A-3 OR BETTER | GRANULAR AASHTO M145 49-A-3 OR BETTER | 6 | GRANULAR AASHTO M145 49-A-3 OR BETTER |

NOTE: BRACING AND SHEETING OR OTHER TRENCH PROTECTION TO BE PROVIDED TO MEET APPLICABLE STATE AND O.S.H.A. SAFETY STANDARDS. ALL SUCH TRENCH PROTECTION TO BE THE RESPONSIBILITY OF THE CONTRACTOR.



| REV | DATE | DESCRIPTION |
|-----|----------|--|
| 4 | 08.11.14 | RELEASED TO CITY - FINAL PLANS |
| 3 | 07.03.14 | FINAL PLAN SUBMISSION TO CITY PER CONDITIONS OF APPROVAL |
| 2 | 04.17.14 | FINAL PLAN SUBMISSION TO CITY |
| 1 | 02.10.14 | SUBMITTED TO CITY OF PORTLAND |

PROFESSIONAL ENGINEER
STEPHEN R. BUSHEY
No. 4425
LICENSED
P.E. STEPHEN BUSHEY
LIC. # 7429

PROJECT PH WARREN AVENUE, LLC
COMMERCIAL SITE
421 WARREN AVENUE

SHEET TITLE **DETAILS**

CLIENT PH WARREN AVENUE, LLC
C/O PETER HOLMES
12 WILDWOOD LANE
SCARBOROUGH, ME 04074

ENGINEERS **FST** FAY, SPOFFORD & THORNDIKE, INC.
ENGINEERS - PLANNERS - SCIENTISTS
778 MAIN ST., SUITE 8, SOUTH PORTLAND, ME 04106

DRAWN: CMW DATE: NOVEMBER 2013
DESIGNED: SRB SCALE: AS NOTED
CHECKED: SRB JOB NO. SP-M104
FILE NAME: SP-M104-DET
SHEET **C-6.0**