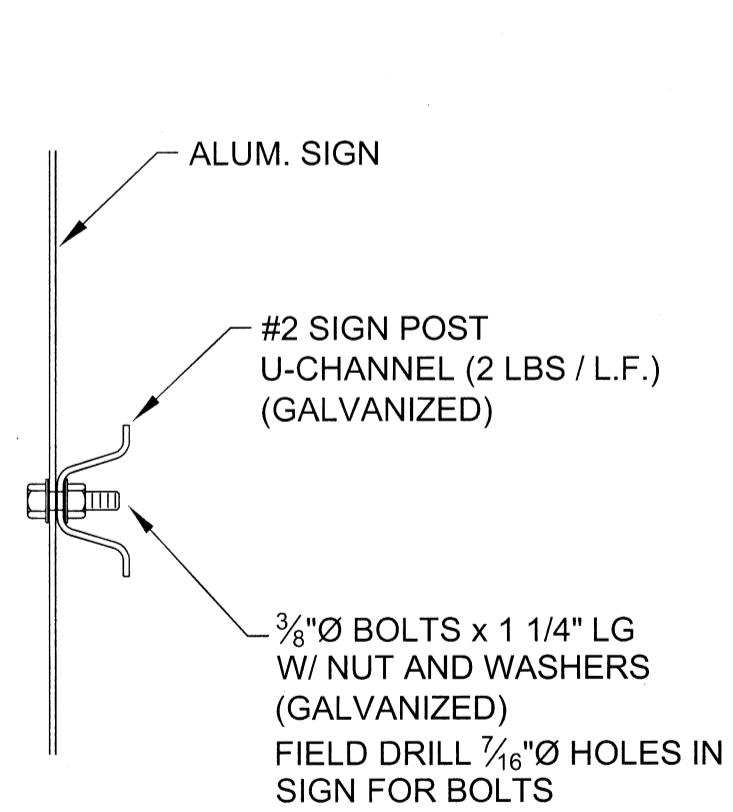
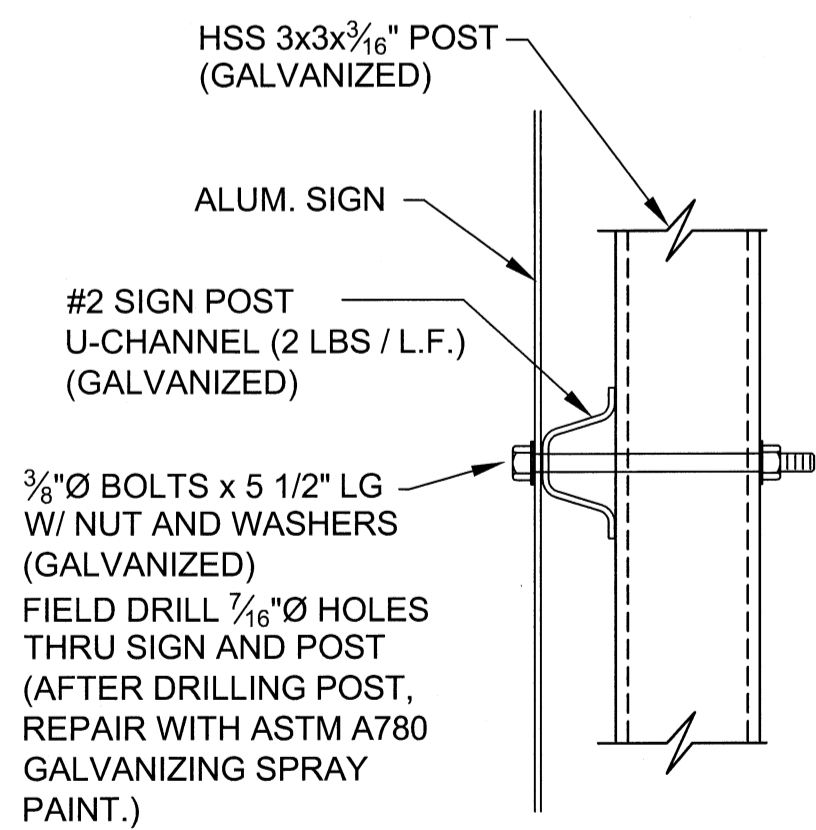


1 SIGN "1" DETAIL
M-101 SCALE: 1"=1'-0"

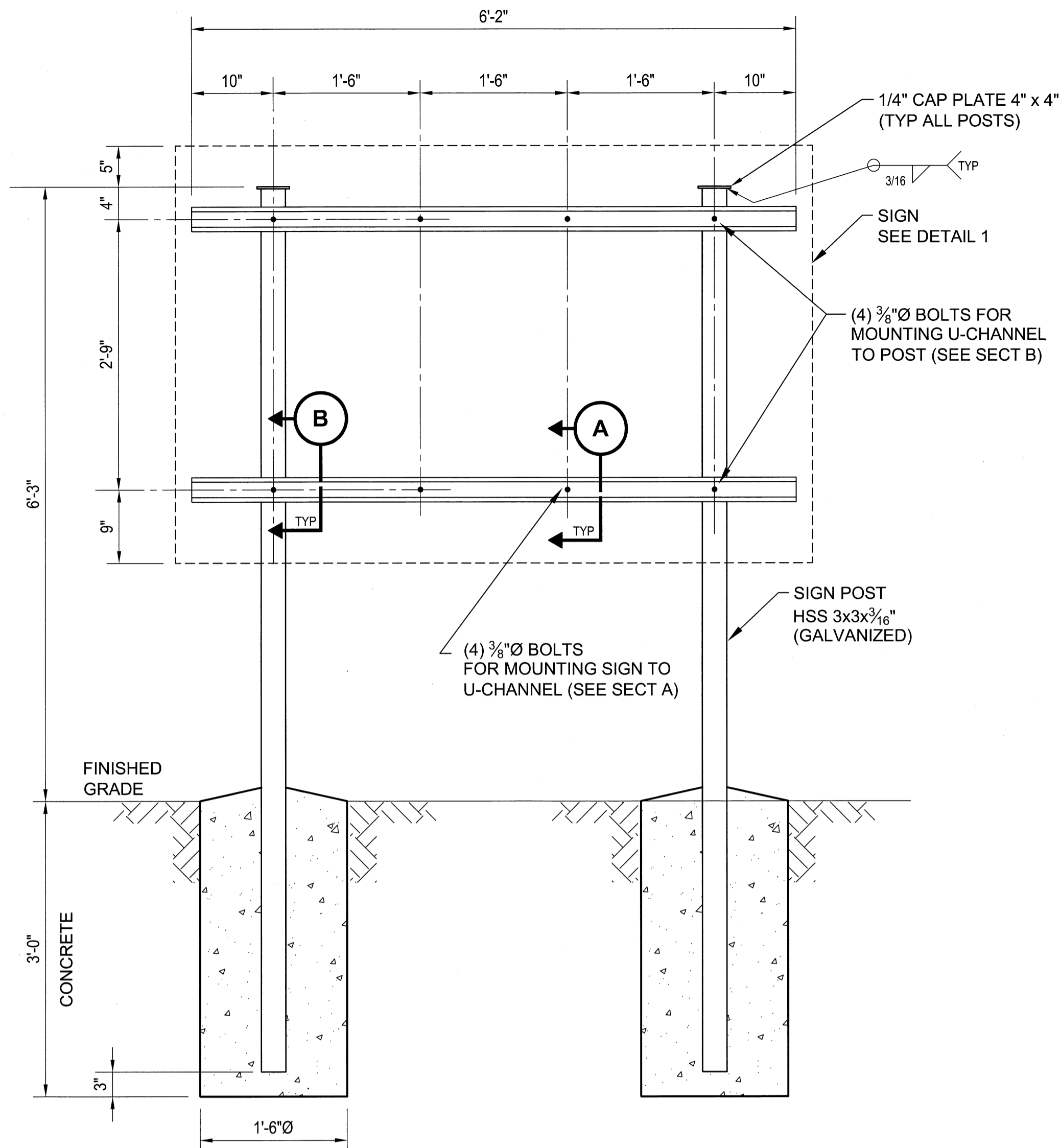
INSTALLATION CONTRACTOR TO TOUCH UP ALL DAMAGED GALVANIZING WITH ZRC COLD GALVANIZING COMPOUND, OR APPROVED EQUAL.



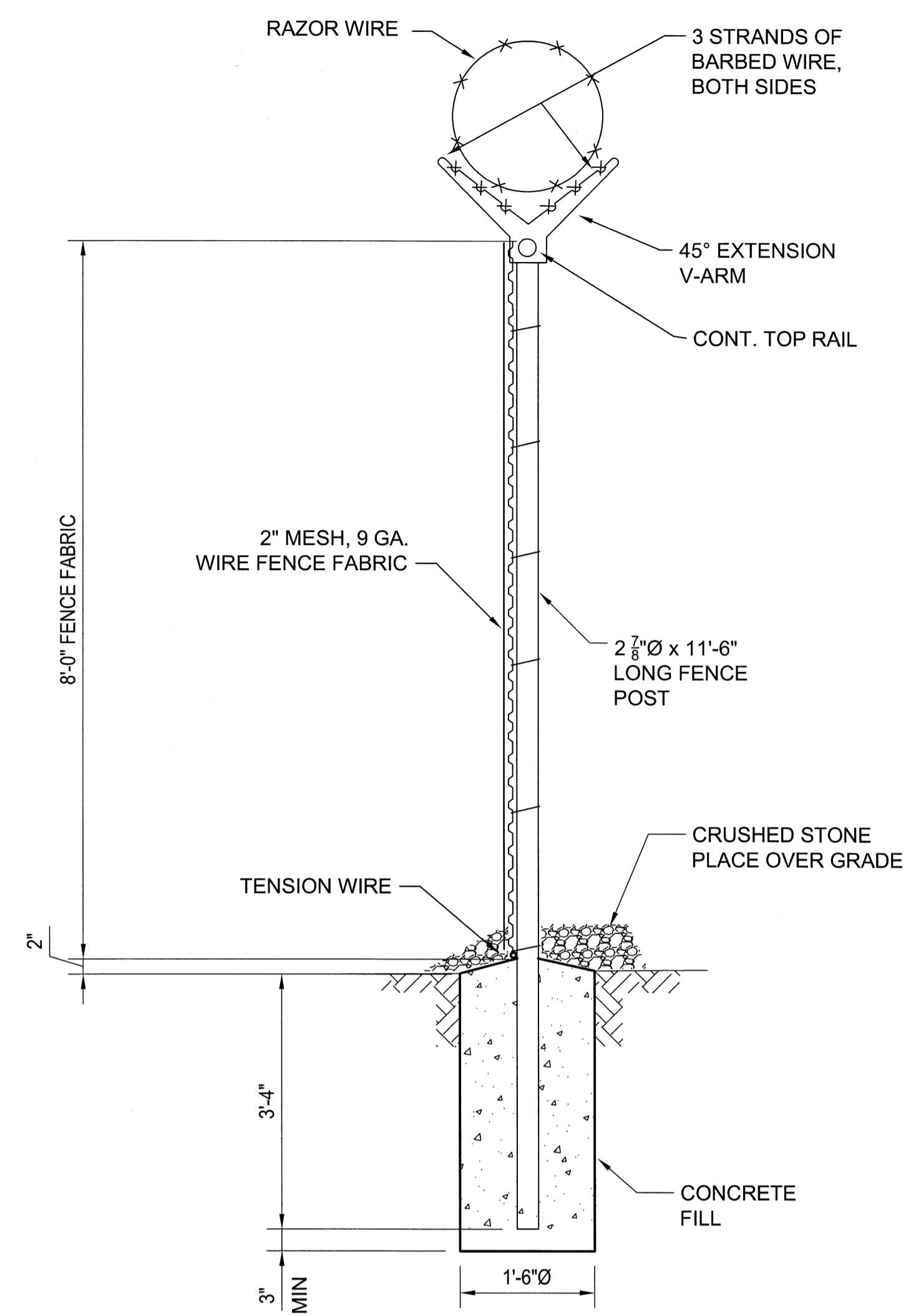
A SECTION
SCALE: 3"=1'-0"



B SECTION
SCALE: 3"=1'-0"



2 SIGN "1" SUPPORT FRAME DETAIL
SCALE: 1"=1'-0"



C TYP FENCE SECTION
S-101 SCALE: 3/4"=1'-0"



PHASE REVIEW	Project Manager	QC Reviewer	Architectural	Mechanical	Plumbing	Electrical	Civil

DATE	DESCRIPTION	BY	APP'D
11/17/12	ISSUED FOR CONSTRUCTION		
0			

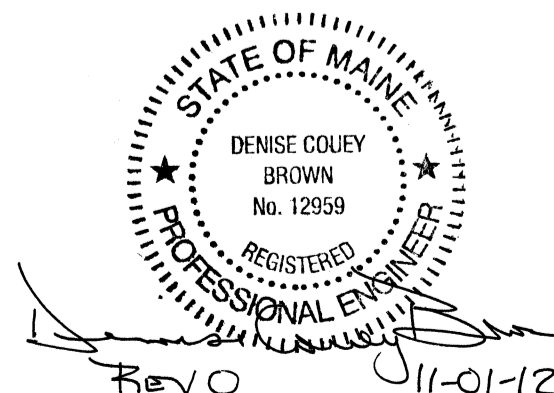
Designed by:	MLM
Checked by:	DCB
Drawn by:	RAM
Reviewed by:	CHB
Date:	2012

KBR
63 SOUTH ROYAL STREET SUITE 200
MOBILE, AL 36602
Tel: (251) 462-7898
Fax: (251) 462-7898

FEMA
Engineering Services by
KBR Engineering Co. LLC

FEMA EMERGENCY RADIO NETWORK
ON WIGAN PORTLAND, MAINE

SIGN AND FENCE DETAILS



Drawing Number:
S-502