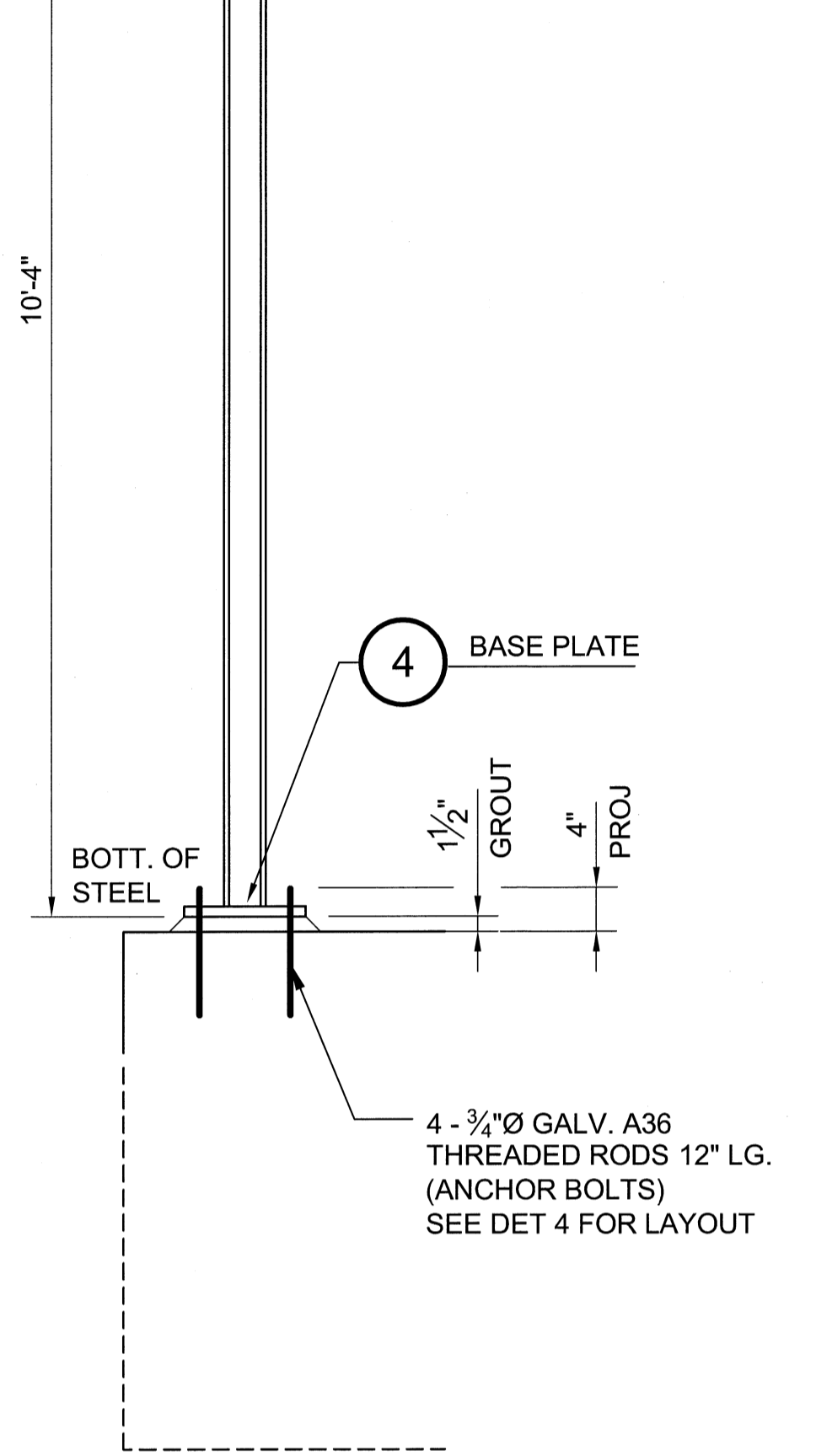
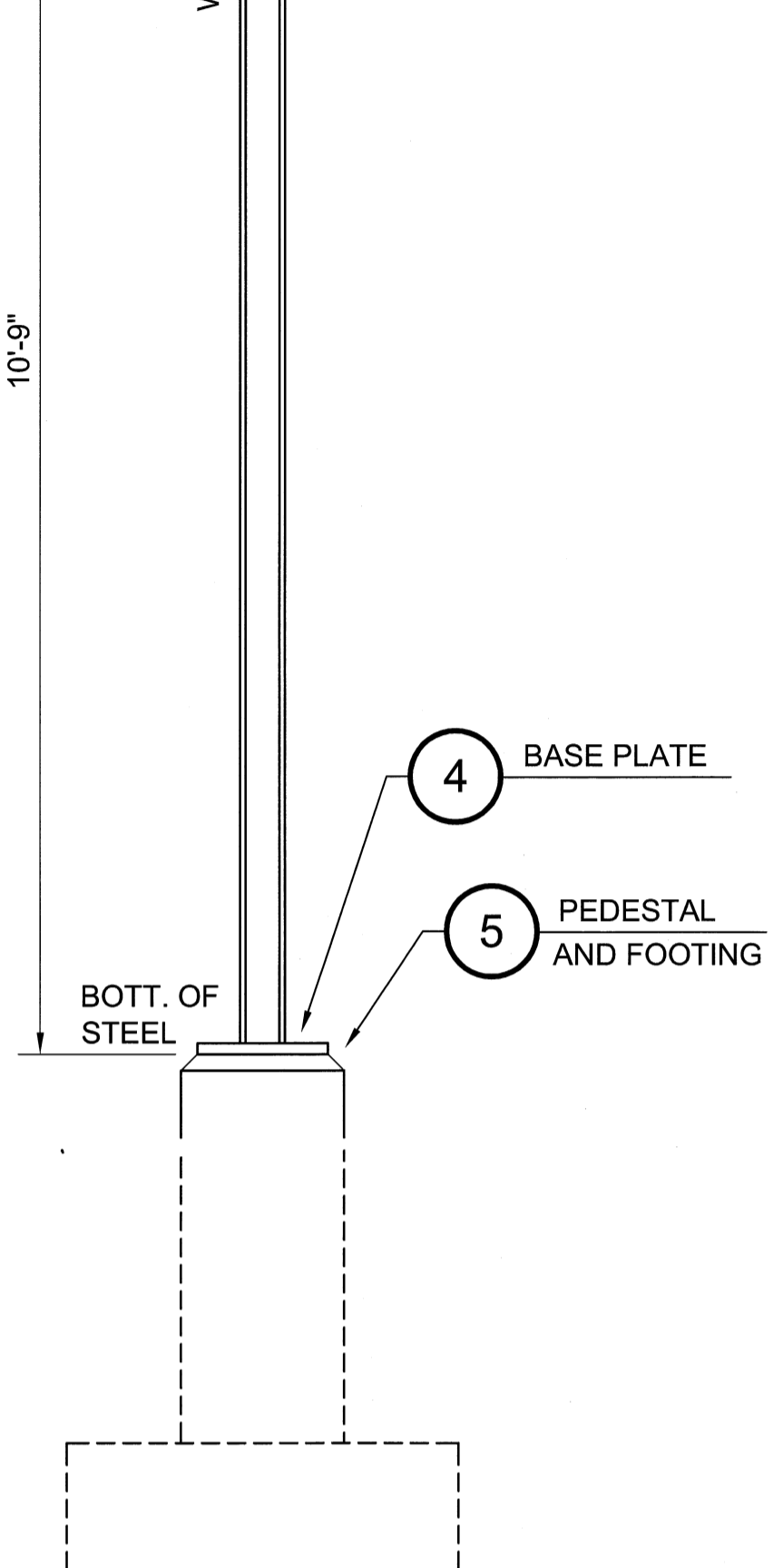


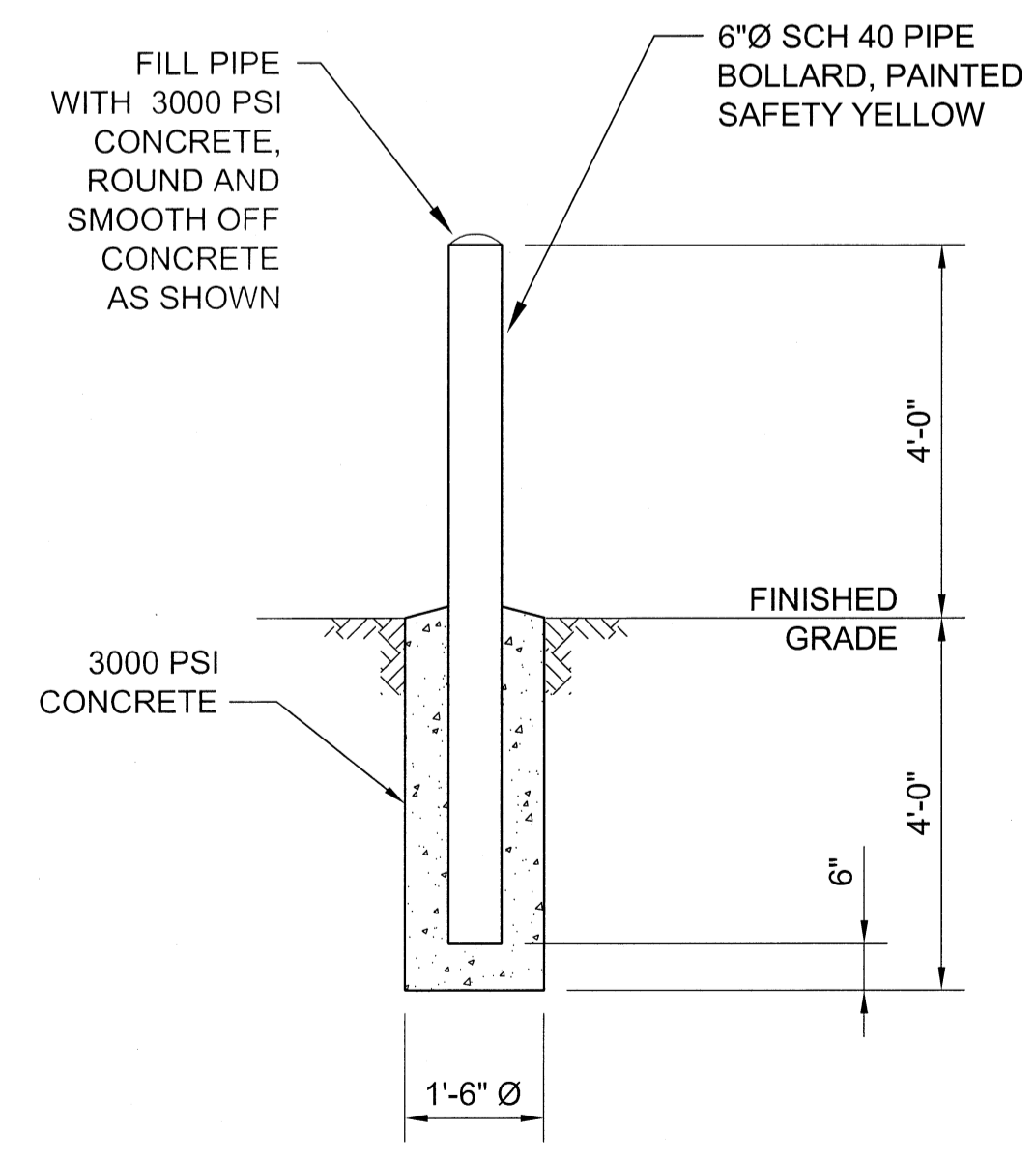
1 PIPE SUPPORT PS-1
S-101 SCALE: 3/4"=1'-0"



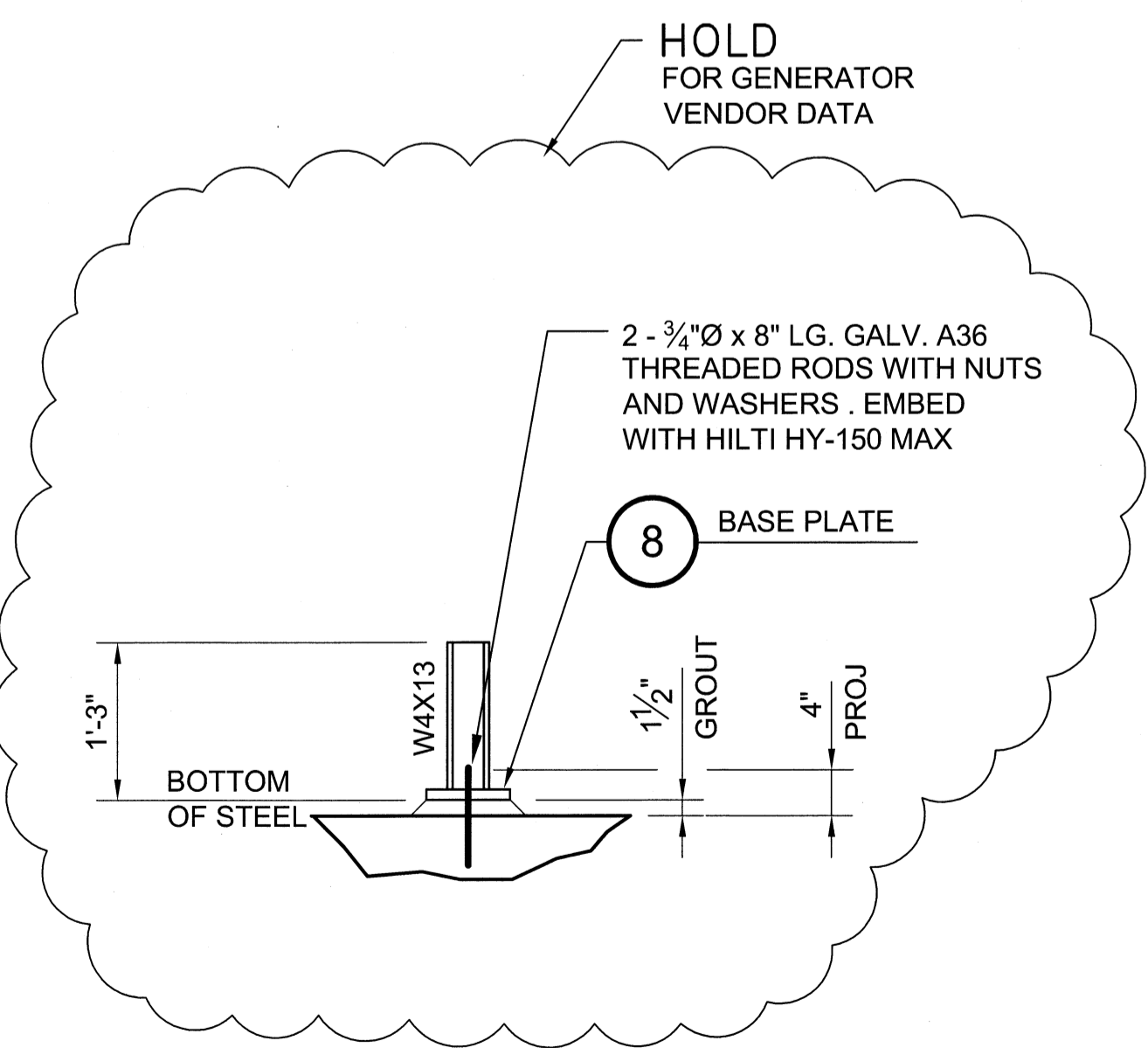
2 PIPE SUPPORT PS-2
S-101 SCALE: 3/4"=1'-0"



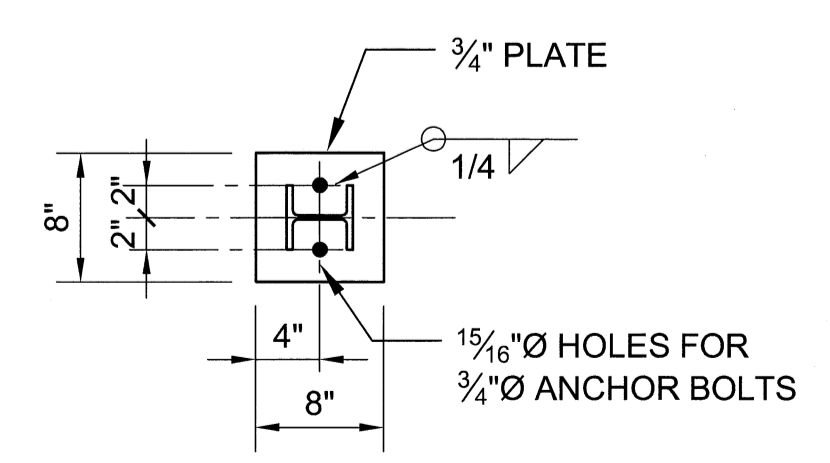
3 PIPE SUPPORT PS-3
S-101 SCALE: 3/4"=1'-0"



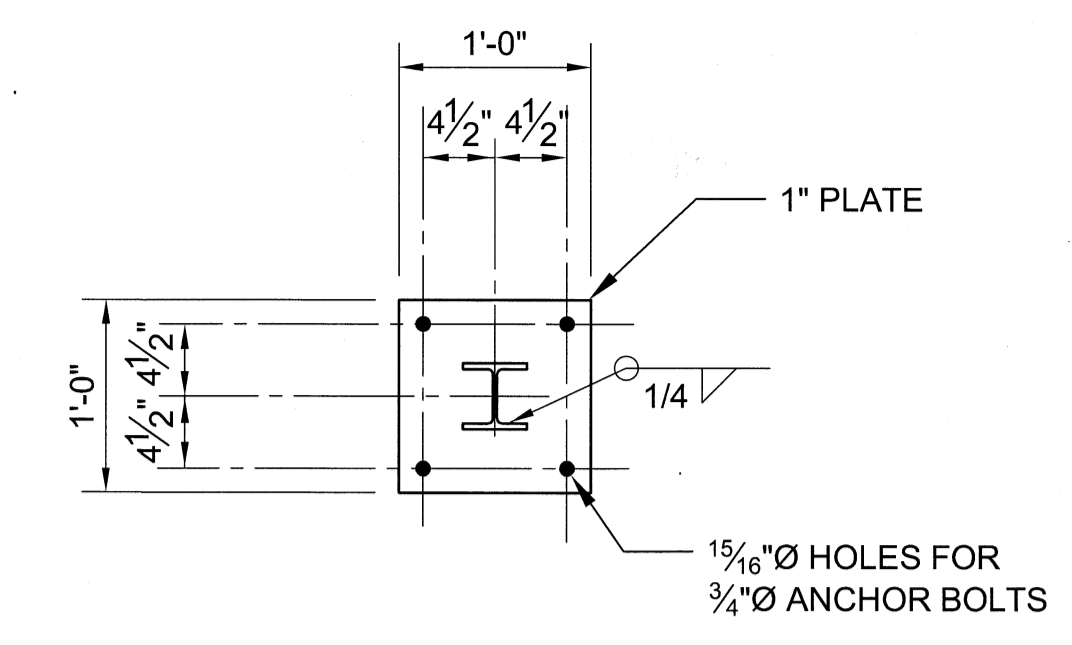
6 TYP BOLLARD DETAIL
S-102 SCALE: 1/2"=1'-0"



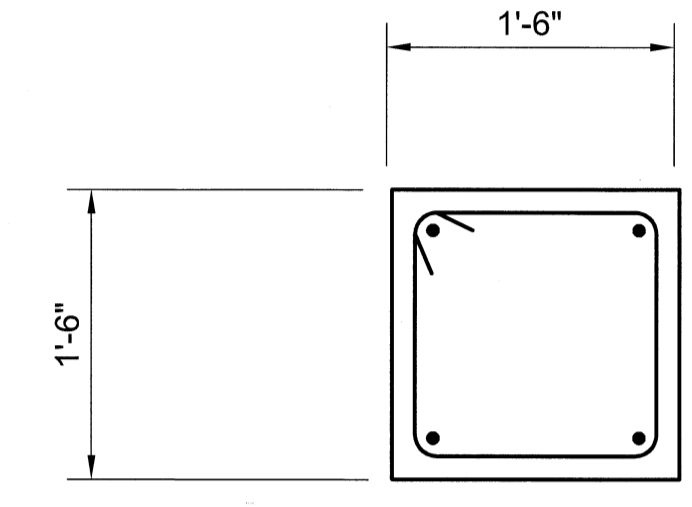
7 PIPE SUPPORT PS-4
S-102 SCALE: 3/4"=1'-0"
2 REQUIRED



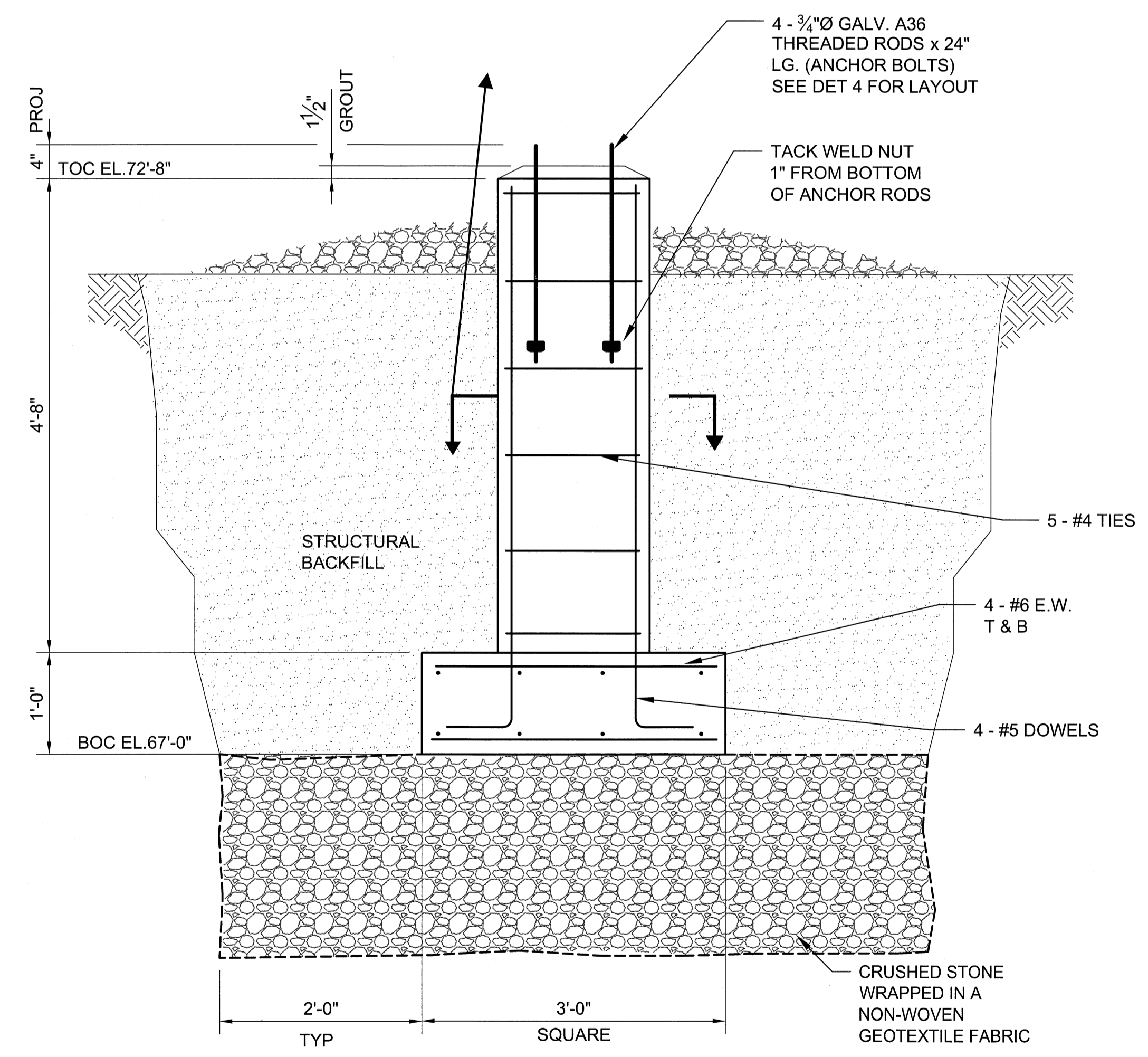
8 DETAIL
SCALE: 1"=1'-0"



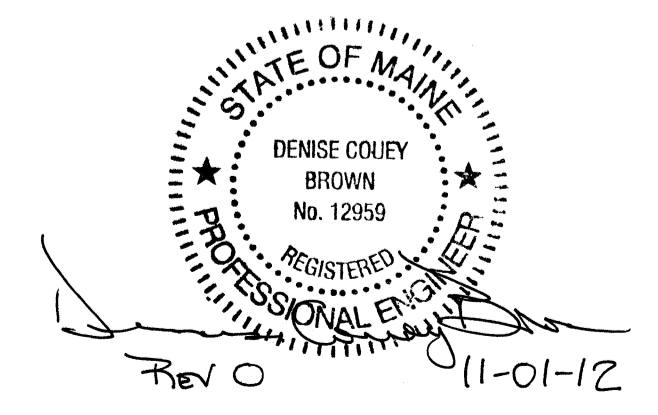
4 DETAIL
SCALE: 1"=1'-0"



5 DETAIL
SCALE: 1"=1'-0"



5 DETAIL
SCALE: 1"=1'-0"



Project Manager	DC Reviewer	Architectural	Mechanical	Plumbing	Electrical	Other

Mark	Date	App'd
0	11/1/12	
ISSUED FOR CONSTRUCTION		

Designed by	Checked by
Drawn by	Reviewed by
Date	

43 SOUTH ROYAL STREET SUITE 200

 MOBILE, AL 36602

 Phone: (251) 420-7000

 Fax: (251) 420-7008

 Engineering Services by

 KBR Engineering Co., LLC

FEMA EMERGENCY RADIO NETWORK

 ON WGAN PORTLAND, MAINE

MISCELLANEOUS DETAILS

Drawing Number:

S-501