

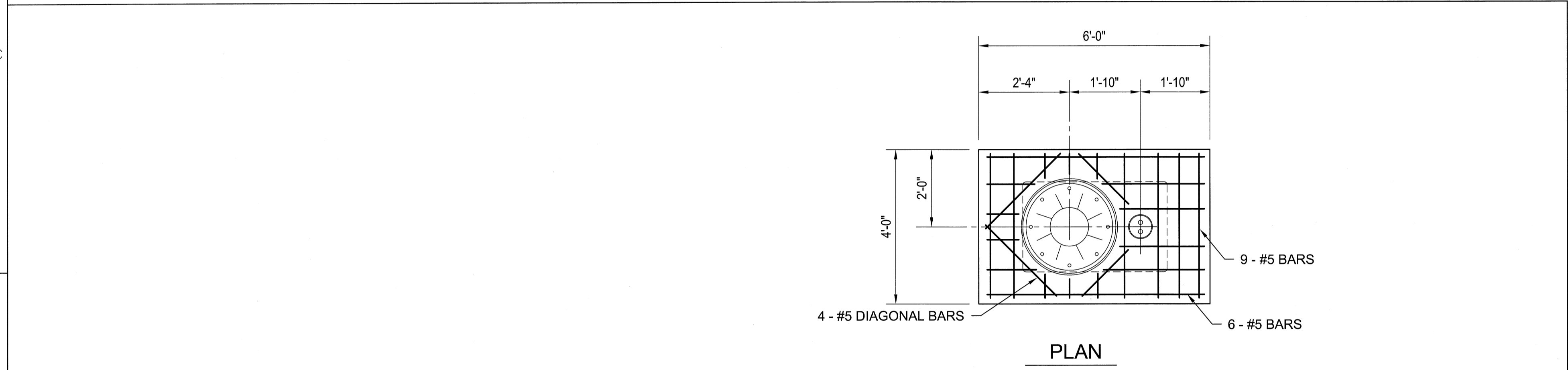
1 DETAIL  
SCALE: 1 1/2"=1'-0"

2 DETAIL  
SCALE: 1 1/2"=1'-0"

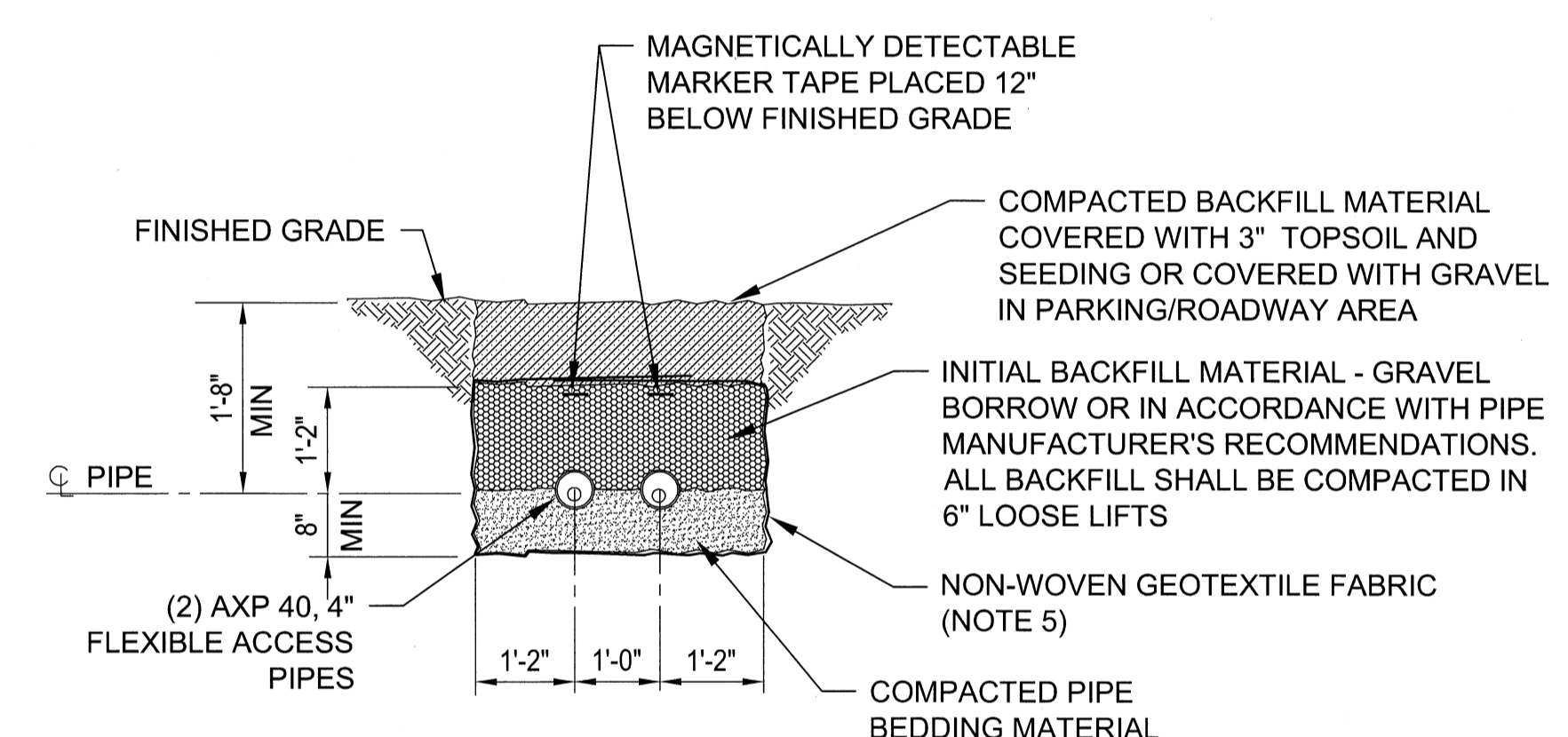
3 DETAIL  
SCALE: 1 1/2"=1'-0"

4 DETAIL  
SCALE: 1 1/2"=1'-0"

5 DETAIL  
SCALE: 1 1/2"=1'-0"

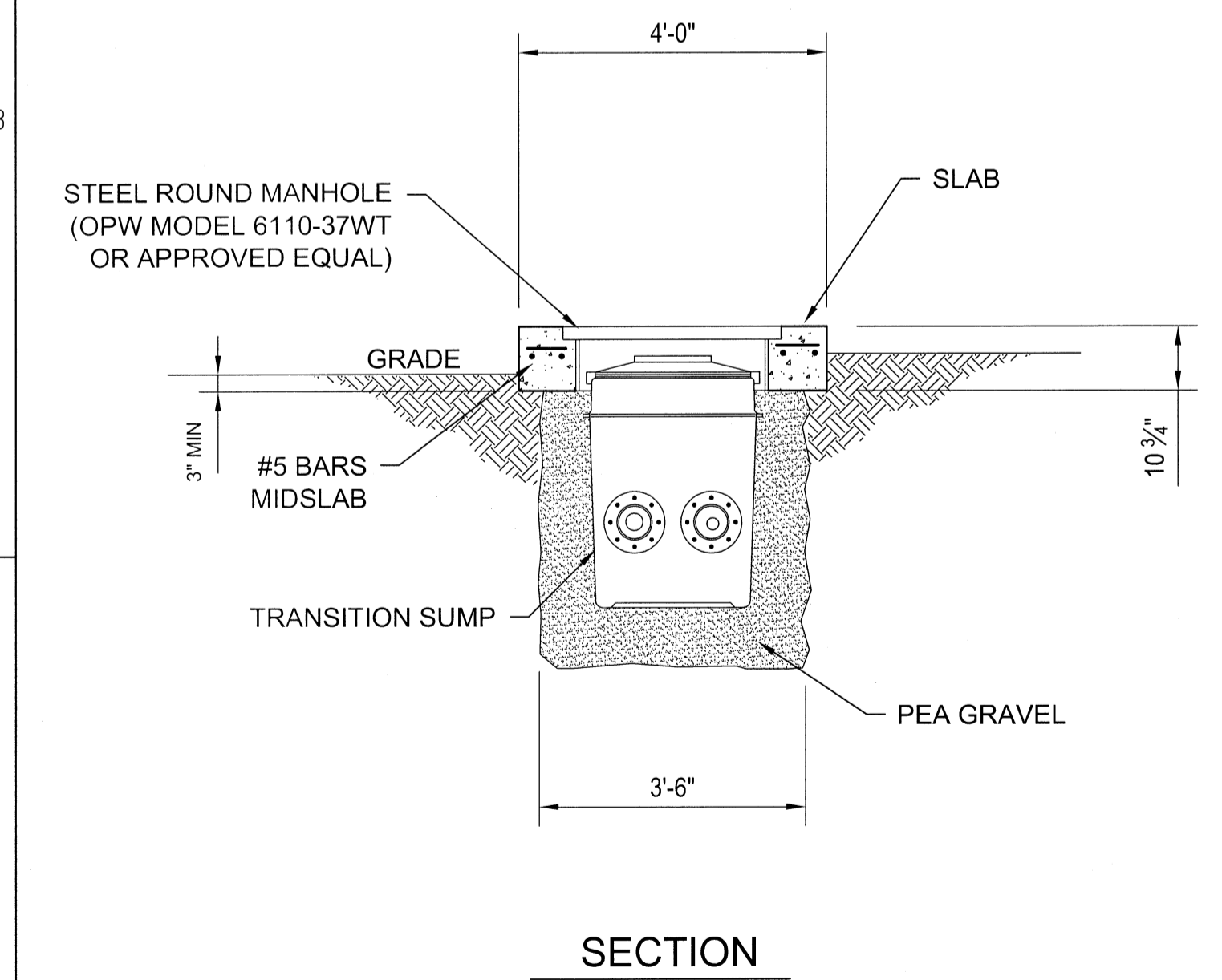


PLAN

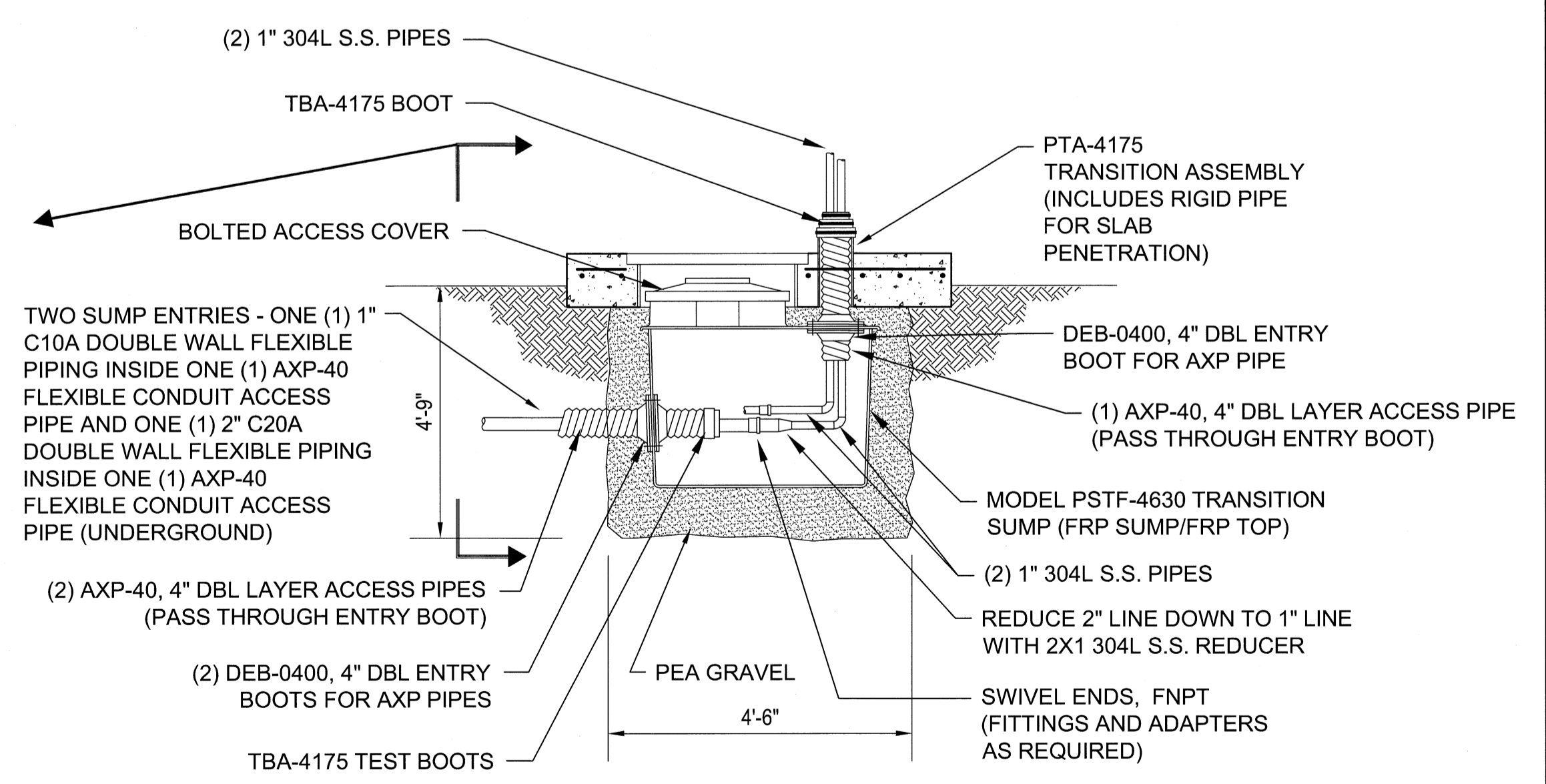


A TYP FUEL PIPING BEDDING  
SCALE: 1/2"=1'-0"

- BEDDING NOTES:
1. ALL BEDDING AND BACKFILL MATERIALS SHALL BE IN ACCORDANCE WITH PIPE MANUFACTURER'S SPECIFICATIONS AND INSTRUCTIONS.
  2. COMPACTION SHALL BE IN ACCORDANCE WITH PROJECT SPECIFICATIONS.
  3. MAINTAIN 12" MINIMUM SEPARATION FROM UNDERGROUND POWER AND COMMUNICATION LINES OR AS REQUIRED BY NATIONAL ELECTRIC SAFETY CODE AND LOCAL CODES.
  4. CONTRACTOR SHALL SOD OR SEED ALL DISTURBED AREAS OR INSTALL GRAVEL AS DIRECTED ON DRAWING C-102.
  5. DUE TO FROST SUSCEPTIBLE SOILS, GRANULAR BEDDING MATERIALS MUST BE SEPARATED FROM SURROUNDING SOILS BY A NON-WOVEN GEOTEXTILE FABRIC.

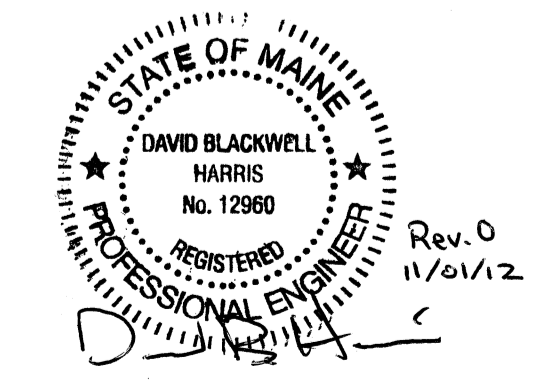


SECTION



6 DETAIL  
SCALE: 1/2"=1'-0"

TYPICAL TRANSITION SUMP INSTALLATION  
PIPING MAY VARY FROM SITE TO SITE;  
SEE DRAWINGS FOR ACTUAL PIPING



US Army Corps of Engineers  
OMAHA DISTRICT

Project Manager	QC Reviewer	Architectural	Mechanical	Plumbing	Electrical	Civil

0	ISSUED FOR CONSTRUCTION	11/17/12	Rev.
	Description	Date	Revised

Designed by: DBH  
Checked by: DBH  
Drawn by: RAM  
Reviewed by: CHB  
Date: 2012

KBR  
63 SOUTH AVENUE, SUITE 200  
MOBILE, AL 36602  
PHONE: (251) 450-7600  
FAX: (251) 450-7898

FEMA  
KBR Engineering Services by KBR Engineering Co., LLC

FEMA EMERGENCY RADIO NETWORK  
ON WGAN PORTLAND, MAINE

**MECHANICAL**  
FUEL PIPING DETAILS

Drawing Number:  
**M-501**