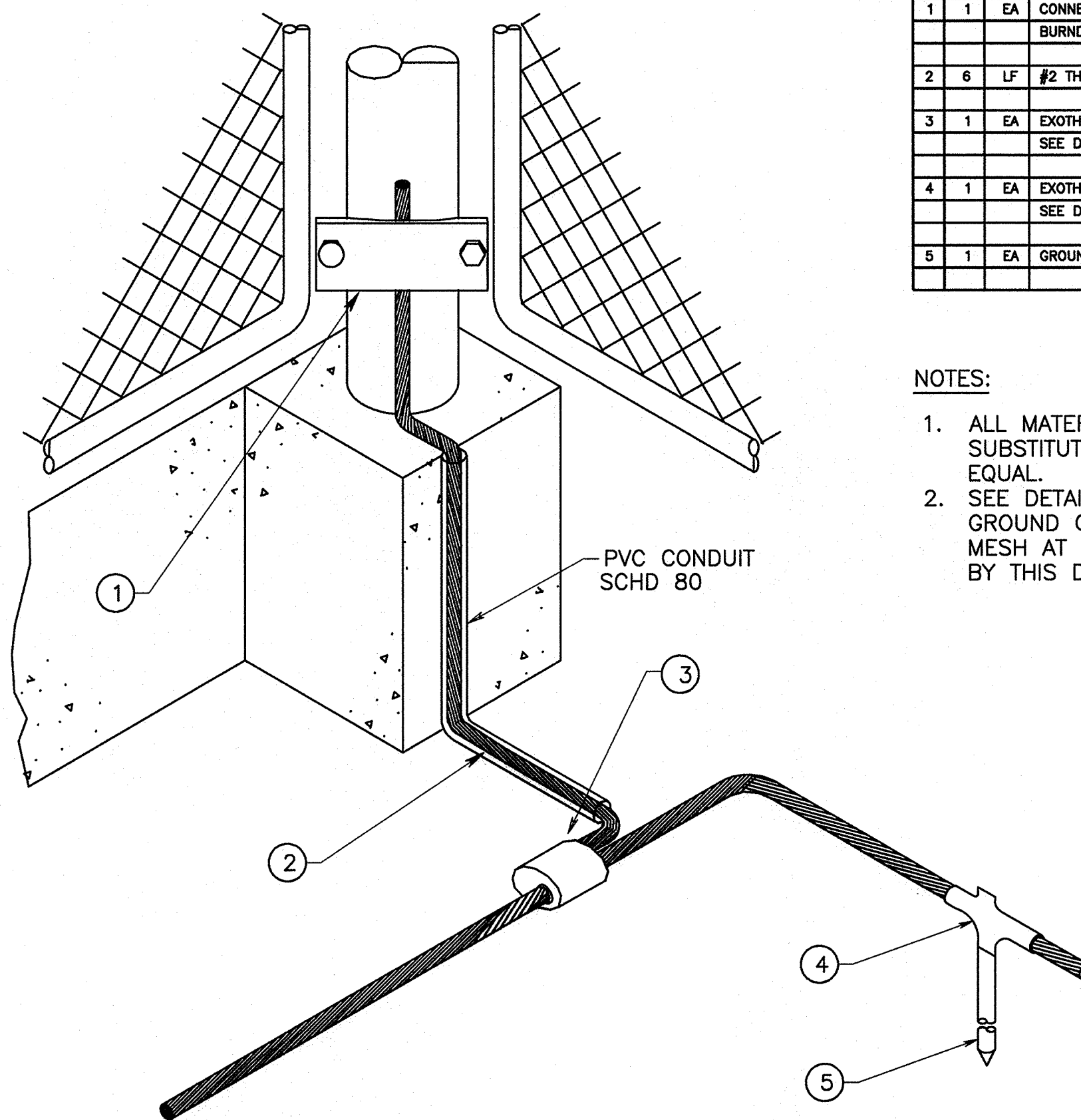


ITEM NO.	QTY.	UNIT	MATERIAL DESCRIPTION
1	1	EA	GROUND CONNECTOR SIZE TO FENCE TUBE O.D., BURNDY TYPE GD
2	2	EA	POST CLAMP SIZE TO POST O.D., BURNDY TYPE
3	1	EA	BURNDY TYPE BD18, COPPER BRAID JUMPER AT ALL GATES, INSTALL W/SKACK WHEN GATE IS FULLY CLOSED, 18" LONG
4	AR	LF	1" PVC CONDUIT, SCHD 80
5	AR	EA	SERVIT CONNECTOR (SPLIT BOLT)
6	AR	LF	WIRE, #2 AWG STRANDED COPPER BARE

- NOTES:
1. ALL MATERIALS CAN BE SUBSTITUTED WITH AN APPROVED EQUAL.
 2. ALL WIRE & CONNECTIONS SHALL BE PAINTED WITH A GALVANIZE PAINT FOR CONCEALMENT

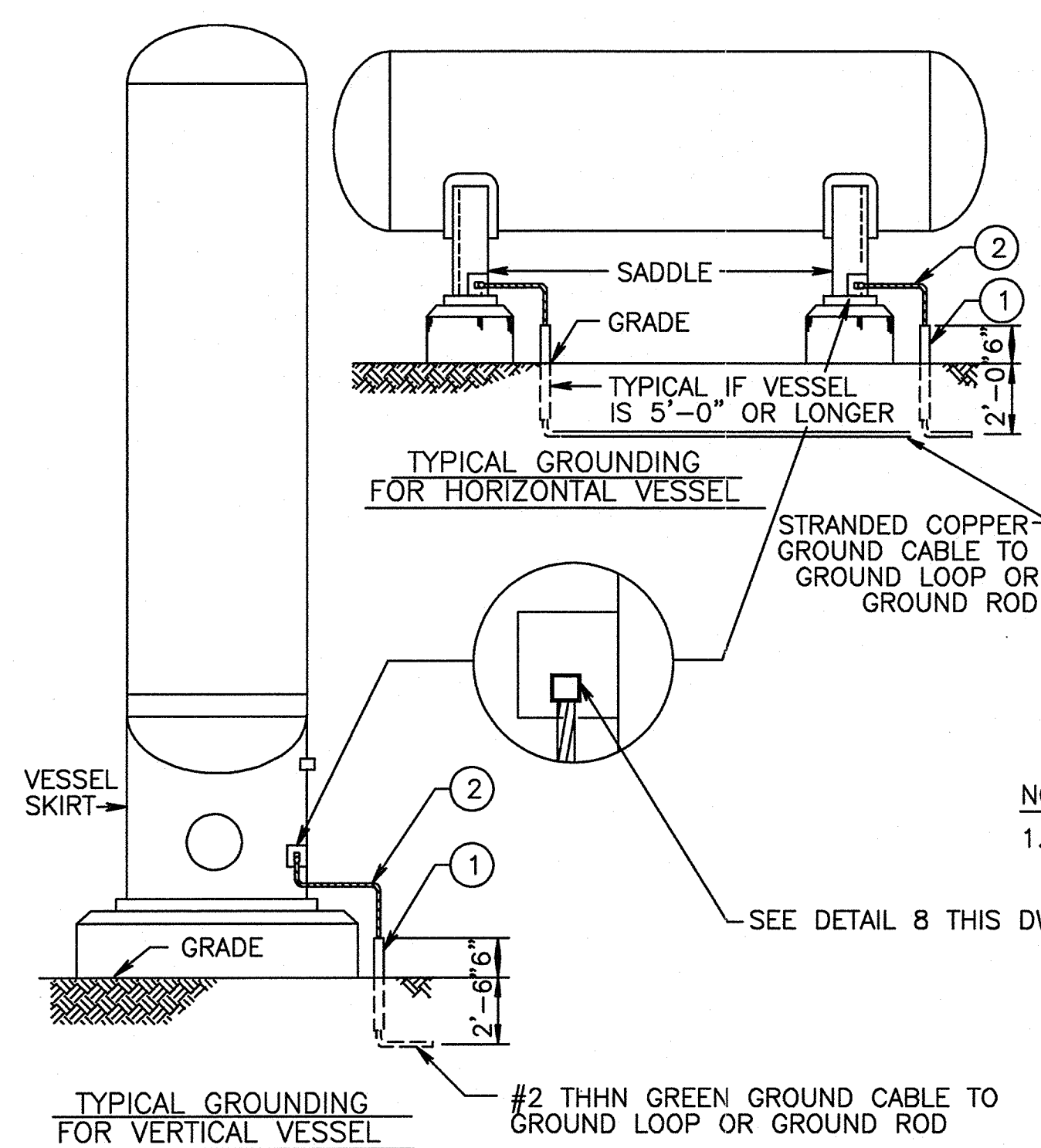
5 GROUND CABLE TO GATE POST
SCALE: NONE



ITEM NO.	QTY.	UNIT	MATERIAL DESCRIPTION
1	1	EA	CONNECTOR-SIZE TO FIT FENCE POST O.D., BURNDY TYPE GD
2	6	LF	#2 THIN GREEN COPPER GND. WIRE
3	1	EA	EXOTHERMIC CONNECTION, SEE DETAIL 1
4	1	EA	EXOTHERMIC CONNECTION, SEE DETAIL 2
5	1	EA	GROUND ROD, COPPERWELD 10'-0" LONG

- NOTES:
1. ALL MATERIALS CAN BE SUBSTITUTED WITH AN APPROVED EQUAL.
 2. SEE DETAIL 5 FOR WOVEN GROUND CONDUCTOR IN FENCING MESH AT LOCATIONS INDICATED BY THIS DETAIL

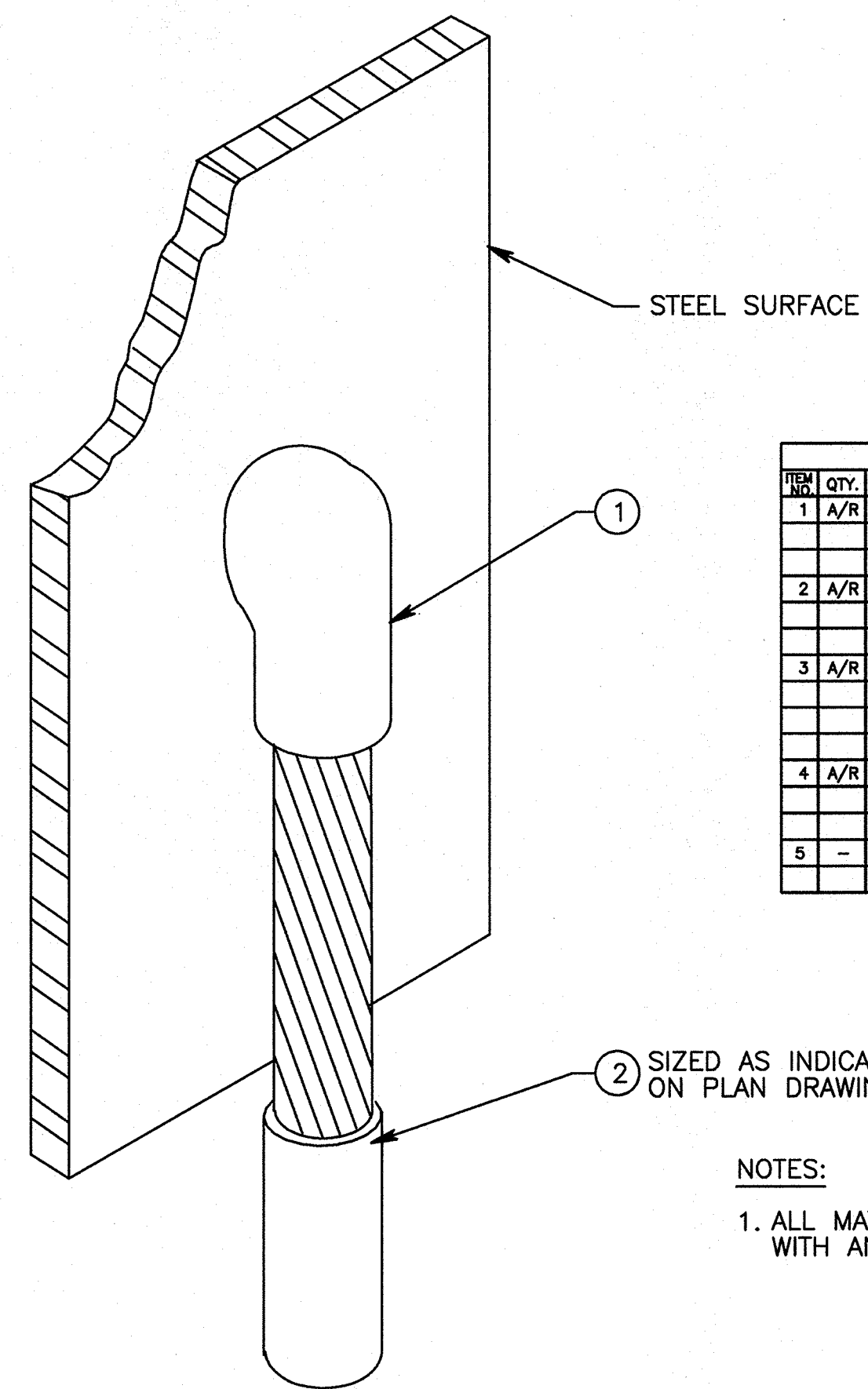
6 GROUNDING FENCE POST
SCALE: NONE



ITEM NO.	QTY.	UNIT	MATERIAL DESCRIPTION
1	-	LF	1" PVC CONDUIT, SCHD 80
2	-	LF	#2 THIN STRANDED COPPER GROUND CABLE

- NOTE:
1. ALL MATERIALS CAN BE SUBSTITUTED WITH AN APPROVED EQUAL.

7 TYPICAL VESSEL GROUND FROM BELOW
SCALE: NONE



ITEM NO.	QTY.	UNIT	MATERIAL DESCRIPTION
1	A/R	EA	#2 AWG - CADWELD # VBC-1V WELD METAL # 65
2	A/R	EA	#1/0 AWG - CADWELD # VBC-2C WELD METAL 115
3	A/R	EA	#2/0 AWG - CADWELD # VBC-2G WELD METAL 115
4	A/R	EA	#4/0 AWG - CADWELD # VSB-2G WELD METAL 150
5	-	LF	THIN INSULATED GREEN GROUND WIRE

- NOTES:
1. ALL MATERIALS CAN BE SUBSTITUTED WITH AN APPROVED EQUAL.

8 MISC. EQUIPMENT GROUND
SCALE: NONE

NOTES:

1. ALL ELECTRICAL INSTALLATIONS SHALL BE IN ACCORDANCE WITH THE 2011 EDITION OF THE NATIONAL ELECTRICAL CODE (NEC NFPA 70) AND THE OCCUPATIONAL SAFETY AND HEALTH ACT (OSHA) AND PROJECT SPECIFICATIONS AND APPLICABLE CODES AND STANDARDS.



Project Manager	
DC Designer	
Structural	
Mechanical	
Plumbing	
Electrical	
Other	

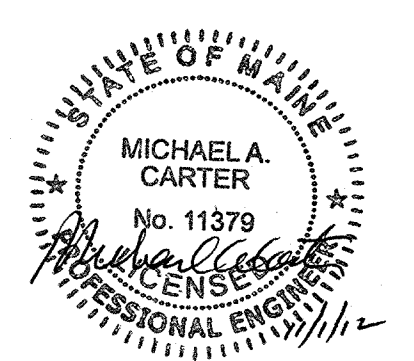
ISSUED FOR CONSTRUCTION	11/7/12	Date	Agreed
Mark			

Designed by	SDJ
Drawn by	SDJ
Checked by	TCG
Reviewed by	MAC
Date	2012

KBR
63 SOUTH ROYAL STREET SUITE 200
MOBILE, AL 36602
PHONE (205) 400-7800
FAX (205) 400-7878

FEMA
Engineering Services by
KBR Engineering Co., LLC

FEMA EMERGENCY RADIO NETWORK
ON WIGAN PORTLAND, MAINE
**INSTALLATION
DETAILS**



Drawing Number:
E-502