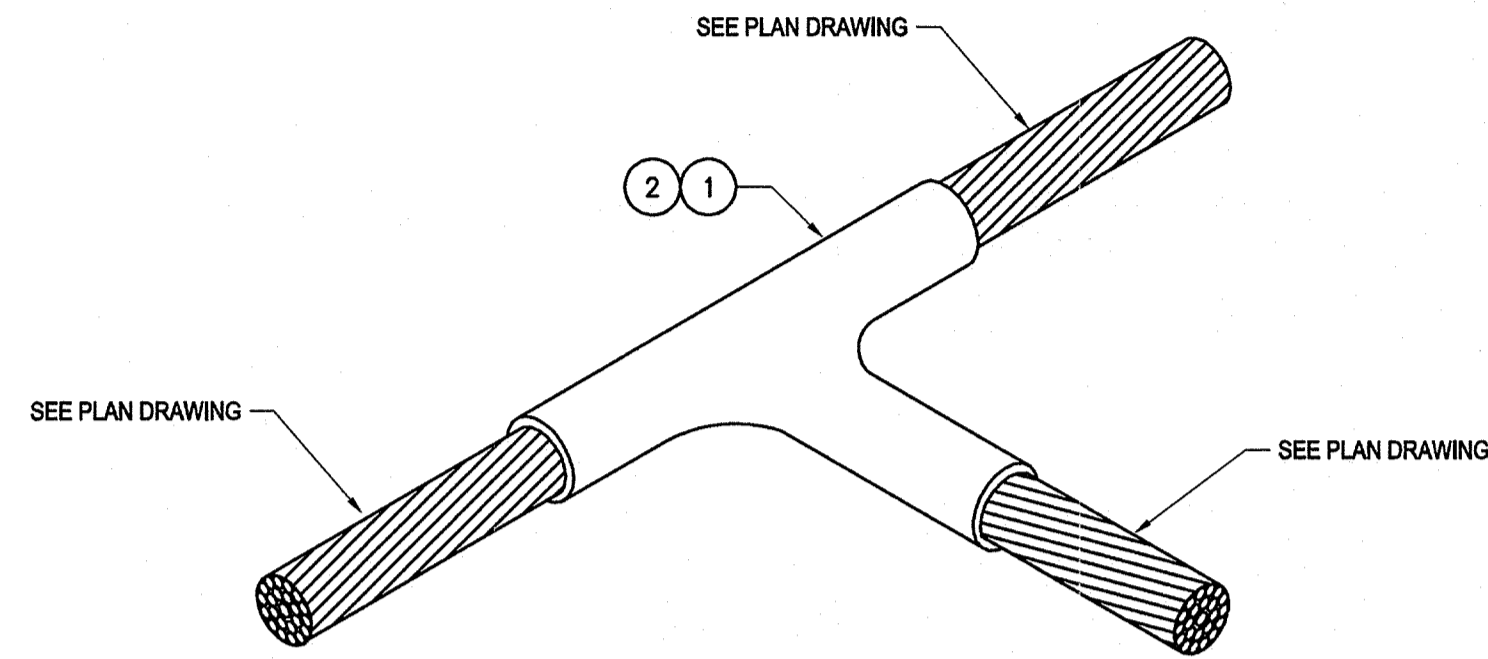


MATERIAL DESCRIPTION			
ITEM NO.	QTY.	UNIT	DESCRIPTION
1	1	EA	CABLE TO CABLE TAP, #4/0 TO #2/0, TAP CADWELD CAT. #TAC-202G
2	1	EA	WELD METAL CARTRIDGE #90
3	1	EA	CABLE TO CABLE TAP, #4/0 TO #2, TAP CADWELD CAT. #TAC-201V
4	1	EA	WELD METAL CARTRIDGE #90
5	1	EA	CABLE TO CABLE TAP, #4/0 TO #4/0, TAP CADWELD CAT. #TAC-202Q
6	1	EA	WELD METAL CARTRIDGE #150
7	1	EA	CABLE TO CABLE TAP, #2 TO #2, SPLICE CADWELD CAT. #SSC-2Q
8	1	EA	WELD METAL CARTRIDGE #90
9	1	EA	CABLE TO CABLE TAP, #4/0 TO #4/0, SPLICE CADWELD CAT. #TAC-202Q
10	1	EA	WELD METAL CARTRIDGE #90

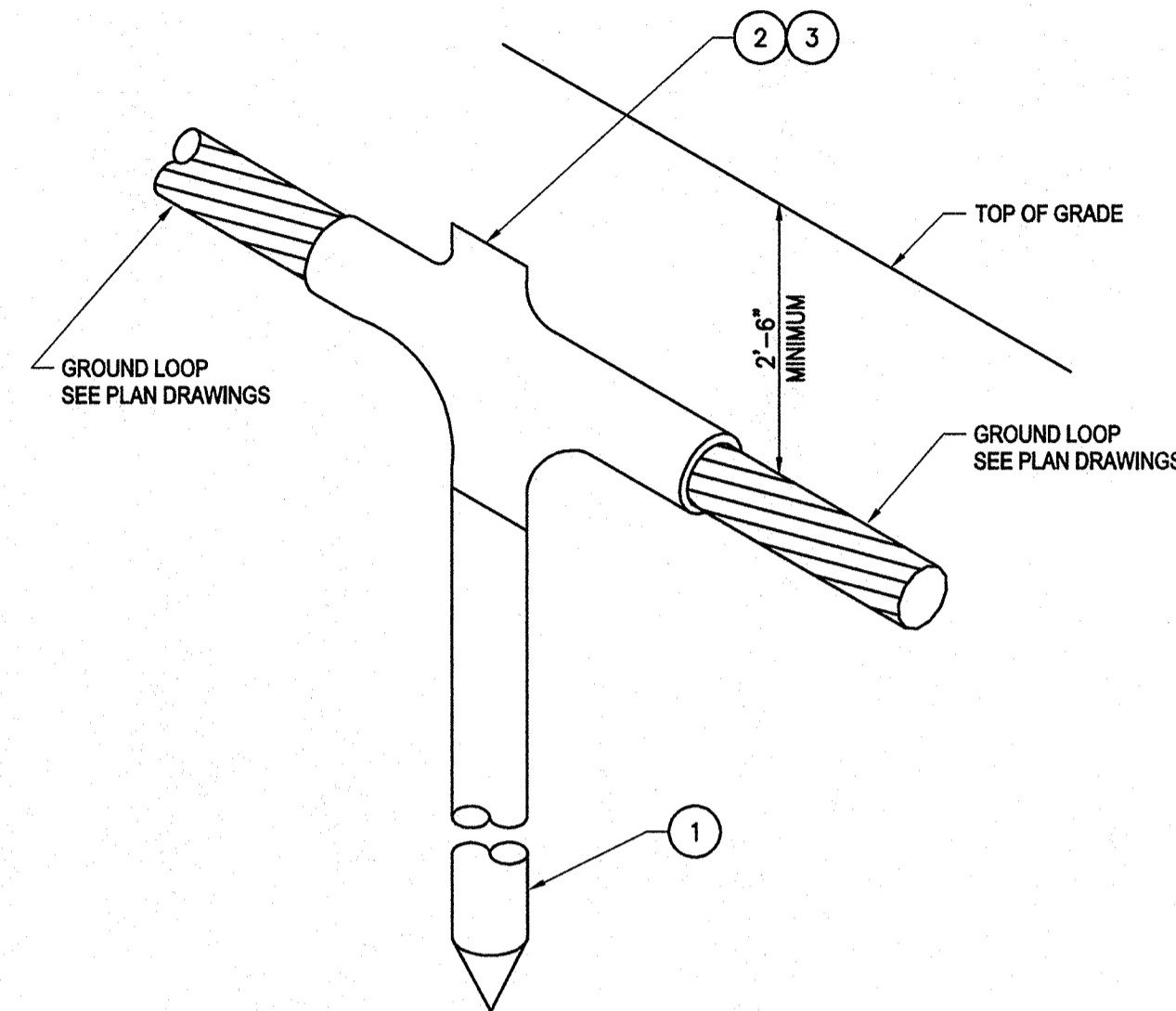


1 GROUND CONNECTION - CABLE TO CABLE
SCALE: NONE

MATERIAL DESCRIPTION			
ITEM NO.	QTY.	UNIT	DESCRIPTION
1	1	EA	3/4" COPPER CLAD GROUND ROD 10'-0" LONG BLACKBURN #75105
2	1	EA	#4/0 TO 3/4" GROUND ROD, THRU FEED, WELDED CADWELD CAT. #GTC-182Q
3	1	EA	WELD METAL CARTRIDGE #115 MODEL NO. #115
4	1	EA	GROUND ROD COUPLING BLACKBURN # 70C

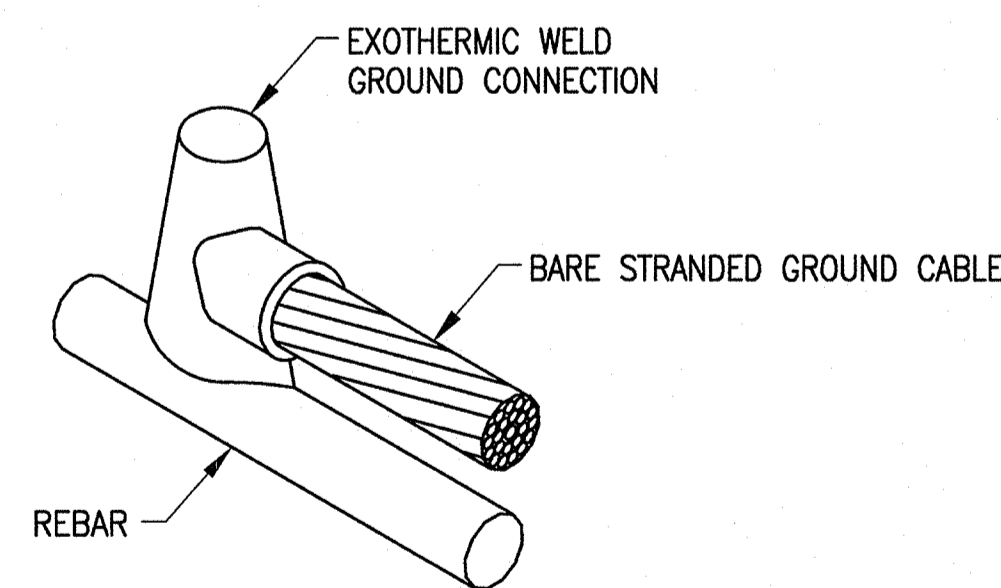
NOTE:

1. ALL MATERIALS CAN BE SUBSTITUTED WITH A CLIENT APPROVED EQUAL.



2 GROUND CONNECTION - CABLE TO GROUND ROD
SCALE: NONE

CADWELD MATERIAL DESCRIPTION				
REBAR TO BE WELDED TO	WELD SIZE	WELD METAL	WELD PART NO.	PACKING PART NO.
4	4	RRA-521L	32	B-143A
	2	RRA-521V	45	B-143A
	2/0	RRC-522G	90	B-141A
	4/0	RRC-522Q	115	B-141A
5	4	RRA-531L	32	B-143A
	2	RRA-531V	45	B-143A
	2/0	RRC-532G	90	B-141A
	4/0	RRC-532Q	115	B-141A
6	4	RRA-541L	32	B-143B
	2	RRA-541V	45	B-143B
	2/0	RRH-542G	90	B-144C
	4/0	RRH-542Q	115	B-144C
7	4	RRA-551L	32	B-143B
	2	RRA-551V	45	B-143B
	2/0	RRH-552G	90	B-144C
	4/0	RRH-552Q	115	B-144A
8	2	RRA-561V	45	B-143B
	2/0	RRH-562G	90	B-144C
	4/0	RRH-562Q	115	B-144A



NOTES:

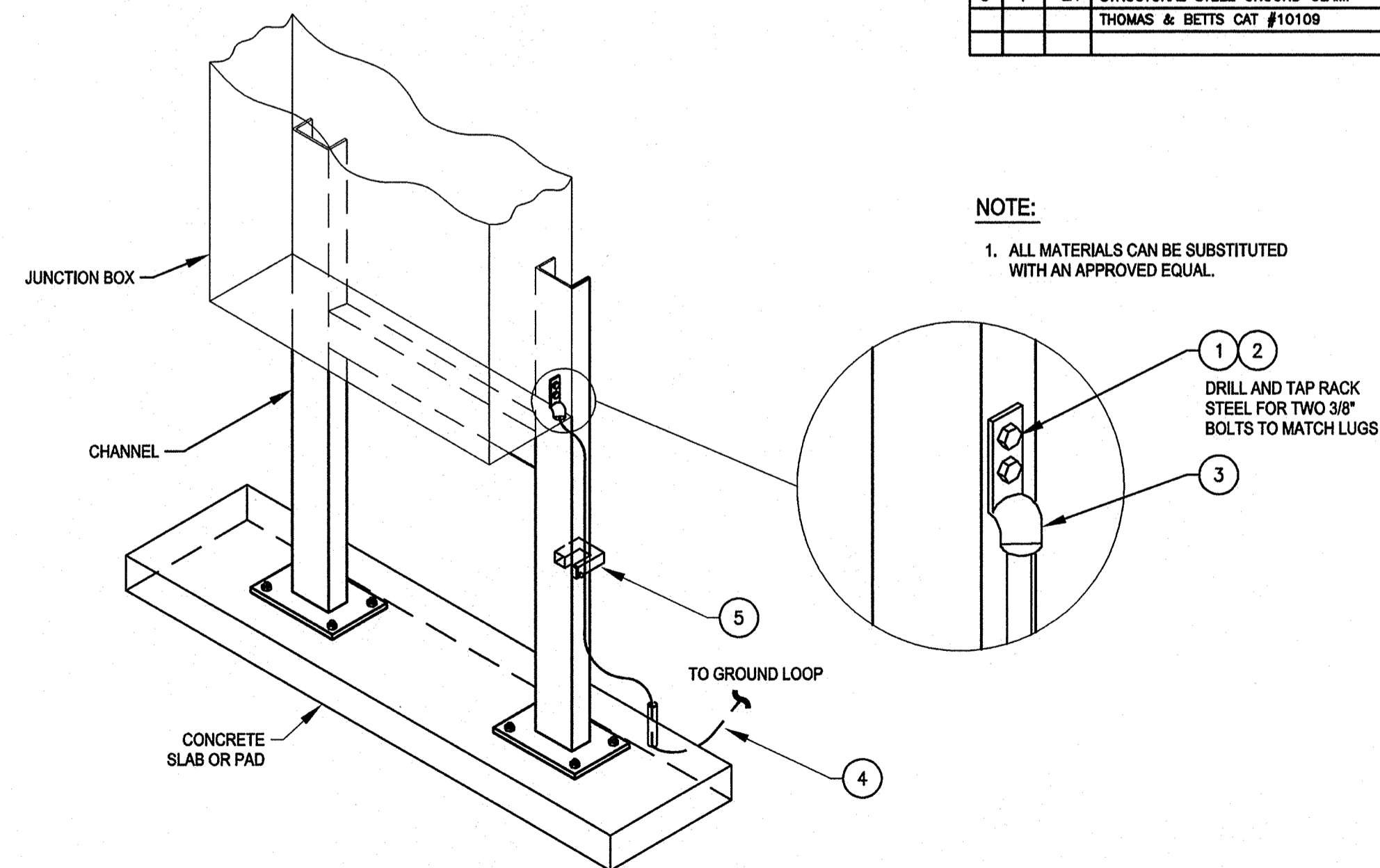
1. ALL MATERIALS CAN BE SUBSTITUTED WITH AN APPROVED EQUAL.

3 GROUND CONNECTION - CABLE TO REBAR
SCALE: NONE

MATERIAL DESCRIPTION			
ITEM NO.	QTY.	UNIT	DESCRIPTION
1	2	EA	EVERDUR BOLT 3/8" x 1" LONG
2	2	EA	3/8" SHAKEPROOF OUTSIDE STAR LOCKWASHERS
3	1	EA	COMPRESSION LUG BURNDY TYPE CAT #YGH42C-2N
4	A/R	LF	#2 THIN GREEN COPPER GND. WIRE
5	1	EA	STRUCTURAL STEEL GROUND CLAMP THOMAS & BETTS CAT #10109

NOTE:

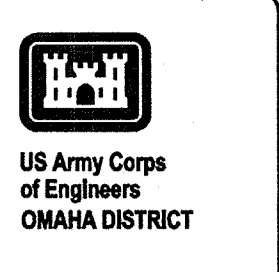
1. ALL MATERIALS CAN BE SUBSTITUTED WITH AN APPROVED EQUAL.



4 GROUND CABLE TO JUNCTION BOXES
SCALE: NONE

NOTES:

1. ALL ELECTRICAL INSTALLATIONS SHALL BE IN ACCORDANCE WITH THE 2011 EDITION OF THE NATIONAL ELECTRICAL CODE (NEC NFPA 70) AND THE OCCUPATIONAL SAFETY AND HEALTH ACT (OSHA) AND PROJECT SPECIFICATIONS AND APPLICABLE CODES AND STANDARDS.



Project Manager	
QC Reviewer	
Structural	
Mechanical	
Plumbing	
Electrical	
Civil	

0	Mark
11/1/12	Date
	App'd

Designed by: SDJ	Checked by: TCG
Drawn by: SDJ	Reviewed by: MAC
Issued for construction: 11/1/12	Date
2012	Date

FEMA
KBR
63 SOUTH BOW STREET, SUITE 200
MOBILE, AL 36602
PHONE: (251) 452-7800
FAX: (251) 452-7808

KBR
Engineering Services by
KBR Engineering Co., LLC

STATE OF MAINE
MICHAEL A. CARTER
No. 11379
PROFESSIONAL ENGINEER

FEMA EMERGENCY RADIO NETWORK
ON WIGAN PORTLAND, MAINE
INSTALLATION DETAILS

Drawing Number:
E-501