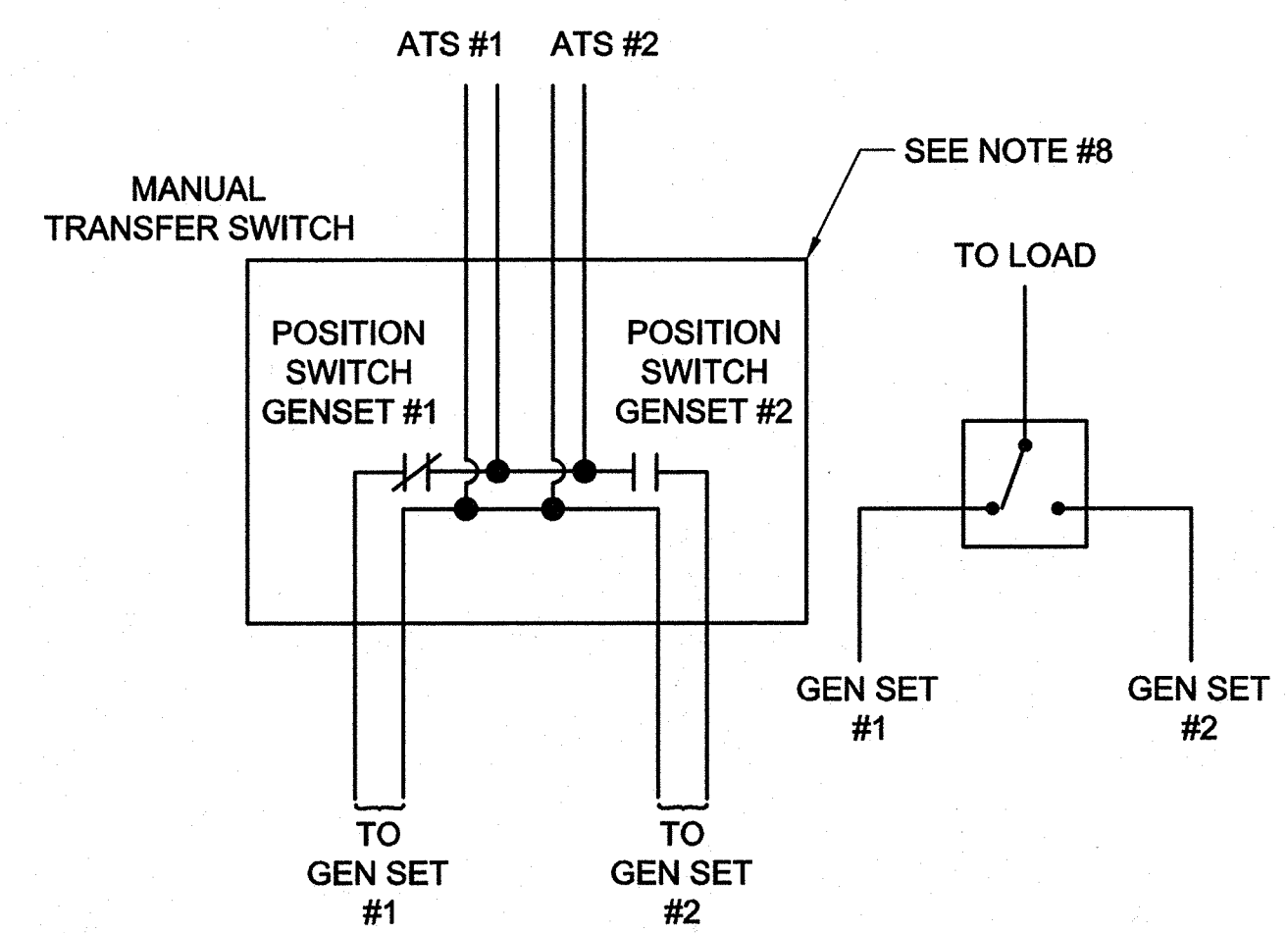


RF CONNECTION DIAGRAM



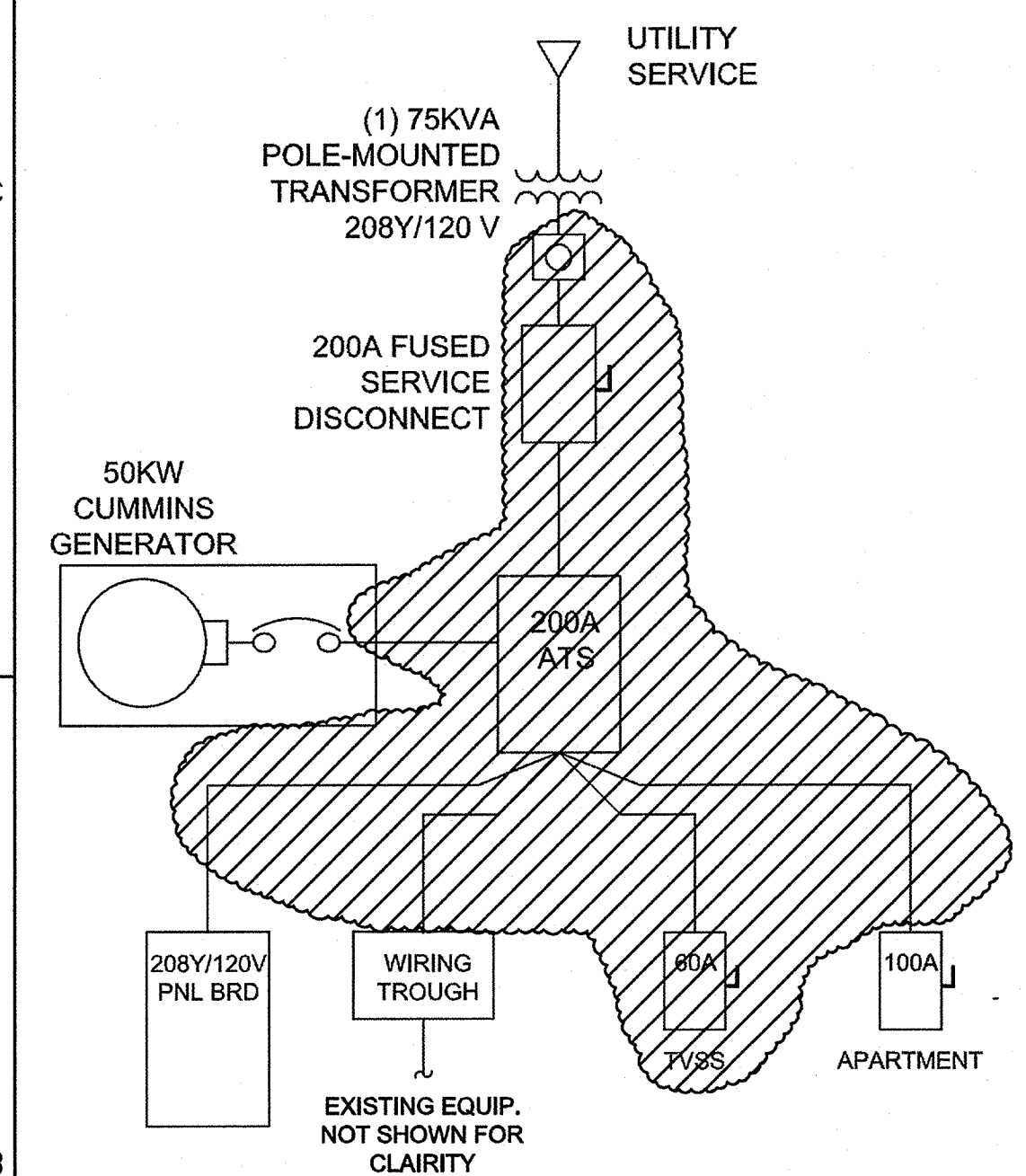
GENERATOR RUN SIGNAL MODIFICATION

NOTES:

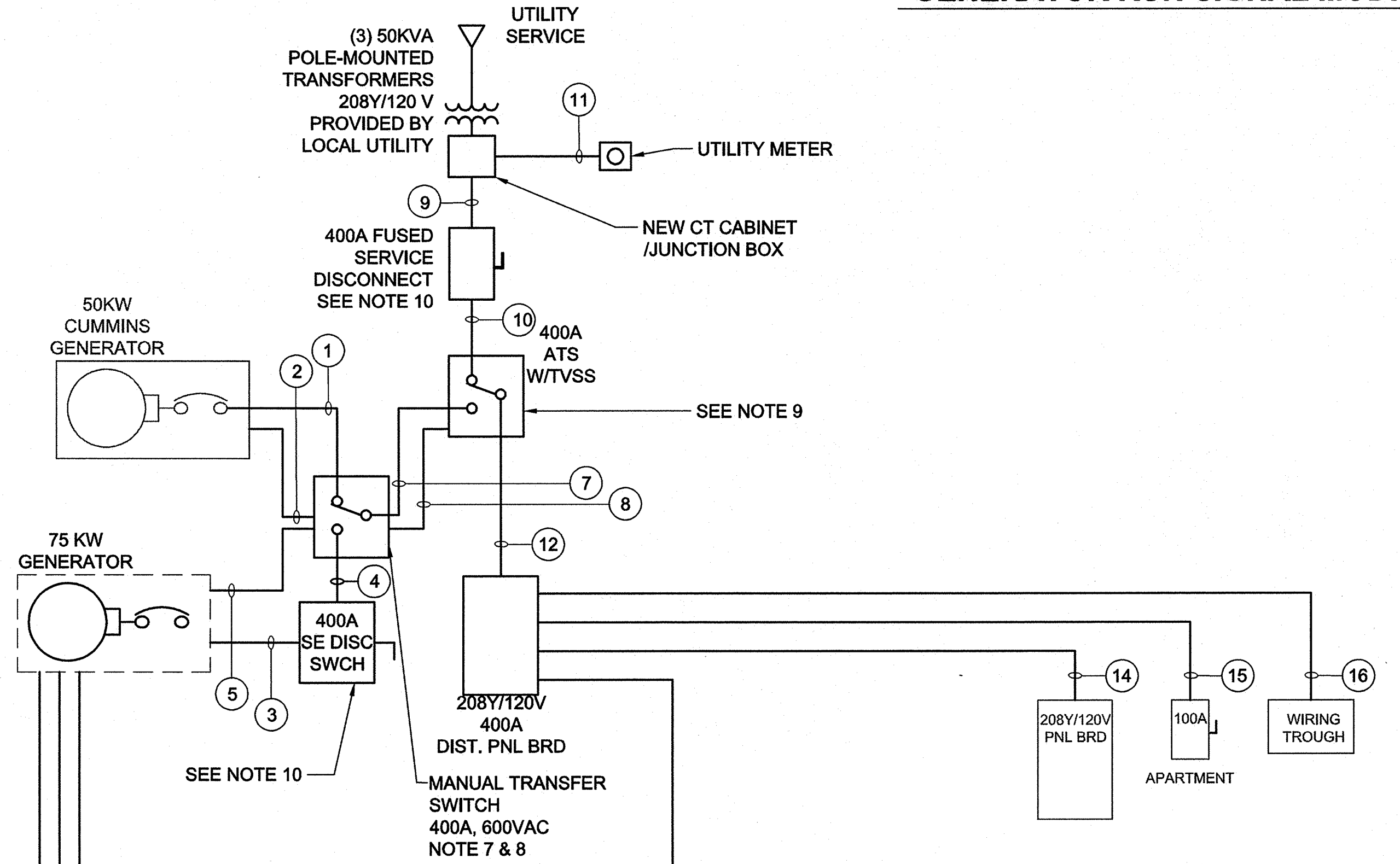
1. ALL ELECTRICAL INSTALLATIONS SHALL BE IN ACCORDANCE WITH THE 2011 EDITION OF THE NATIONAL ELECTRICAL CODE (NEC NFPA 70) AND THE OCCUPATIONAL SAFETY AND HEALTH ACT (OSHA) AND PROJECT SPECIFICATIONS AND APPLICABLE CODES AND STANDARDS.
2. POWER PLUG FED FROM GENERATOR MODULE POWER PANEL "B". SEE CELLXION DRAWINGS FOR SHORE PLUG /RECEPTACLE CIRCUIT AND CONNECTIONS.
3. ALL SHUT DOWN WORK REQUIRED SHALL BE PLANNED AND APPROVED BY THE STATION ENGINEER BEFORE PROCEEDING. PROVISIONS SHALL BE PROVIDED TO MAINTAIN SERVICE DURING SHUTDOWN PERIODS.
4. CONTRACTOR SHALL PROVIDE AND INSTALL TVSS-SURGE SUPPRESSOR INC. ADVANTAGE MODEL CDLA3Y1-XS OR APPROVED EQUAL.
5. THE NEUTRAL BONDING JUMPER FURNISHED WITH THE GENERATOR SHALL BE REMOVED. THE GENERATOR SHALL NOT BE CONSIDERED A SEPARATELY DERIVED SYSTEM.
6. CONTRACTOR SHALL VERIFY POSITION OF BY-PASS SWITCH HANDLE MATCHING POSITIONS WITH THE GENERATOR MODULE TRANSFER SWITCH.
7. THE AUTOMATIC START/RUN SIGNAL TO THE EXISTING GENERATOR SHALL BE MODIFIED AND ROUTED THROUGH THE NEW MANUAL TRANSFER SWITCH POSITION SWITCHES.
8. CONTRACTOR SHALL FURNISH AND INSTALL A DOUBLE THROW SWITCH 600 VAC 400 AMP NEMA 12 SIEMENS CAT NO. NF355HDTR WITH HN678 NEUTRAL KIT, HG656 GROUND KIT, AND 2 EACH HA165678 AUX CONTACTS. SWITCH SHALL BE SERVICE ENTRANCE RATED.
9. CONTRACTOR SHALL PROVIDE AND INSTALL A NEW 400 AMPERE AUTOMATIC TRANSFER SWITCH 208Y/120 VAC SERVICE ENTRANCE RATED WITH INTERNAL TVSS 3 PHASE 4 WIRE. ASCO CATALOG NUMBER 3AUS-B-3-400-C-1-X-C-11BG-14AA-14BA-73A-208V/60 OR APPROVED EQUAL. CONTRACTOR SHALL VERIFY LUG SIZE AND CAPACITY DURING PURCHASE TO ENSURE COMPATABILITY WITH SYSTEM DESIGN REQUIREMENTS.
10. CONTRACTOR SHALL FURNISH AND INSTALL SERVICE ENTRANCE RATED DISCONNECT SWITCHES, 240VAC, 400 AMP, 3 PHASE, 4 WIRE, FUSABLE, NEMA 3R/3S ENCLOSURES WITH 400 AMP FUSES. EATON CAT NO. DH325NRK-N OR APPROVED EQUAL.

LEGEND:

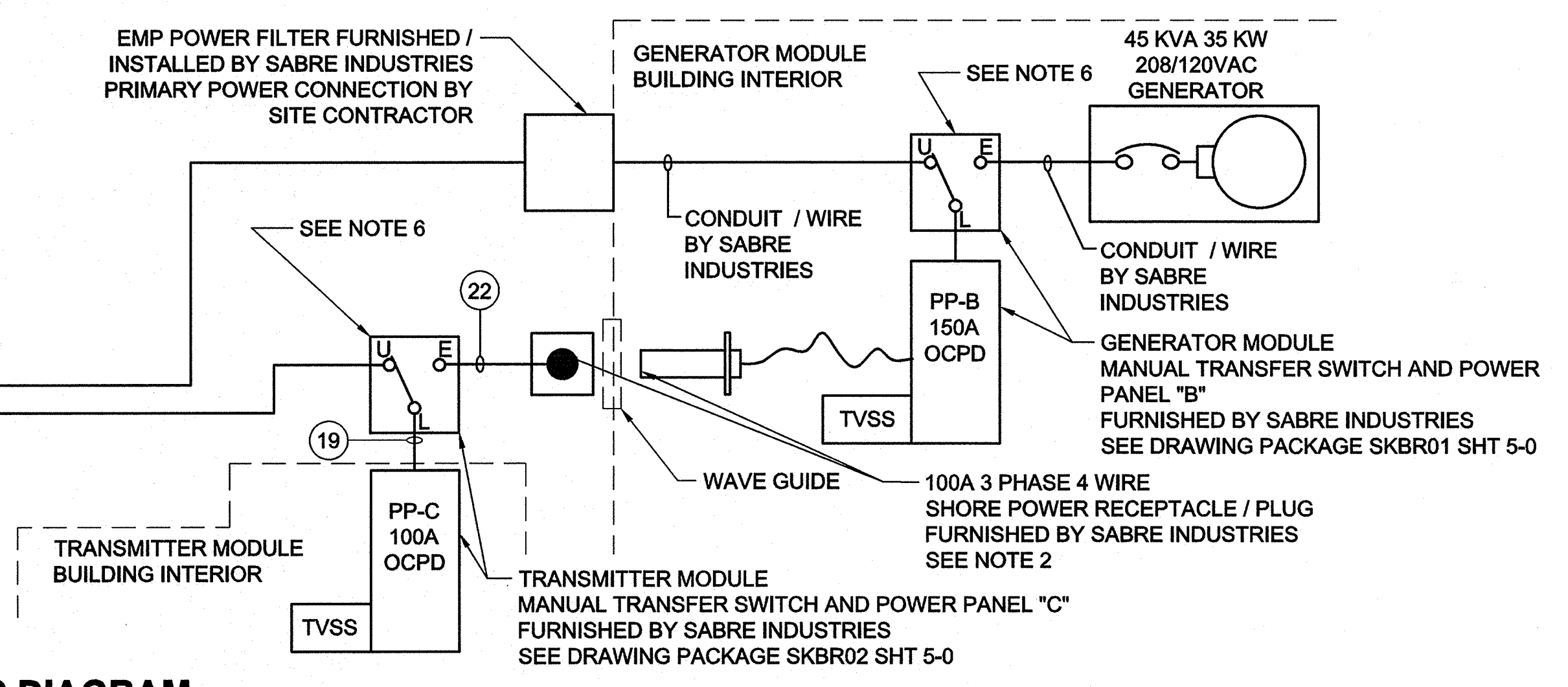
- * DENOTES WIRE / CABLE ONLY (EXISTING CONDUIT)
- EXISTING SYSTEM
- NEW MODIFICATION(S)



EXISTING POWER RISER DIAGRAM



MODIFIED POWER RISER DIAGRAM



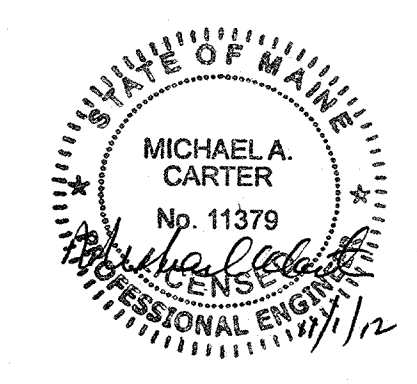
| | | | | | | |
|-----------------|-------------|------------|------------|----------|------------|-------|
| Project Manager | DC Reviewer | Structural | Mechanical | Plumbing | Electrical | Other |
| | | | | | | |

| | | | |
|-------------|---|---------|----------|
| Mark | 0 | 11/7/12 | Approved |
| Issue | | | |
| Description | | | |

| | | | |
|-------------|-----|-------------|------|
| Designed by | SDJ | Checked by | TCG |
| Drawn by | SDJ | Reviewed by | TCG |
| Date | | Date | 2012 |

FEMA KBR
 63 SOUTH NOVA STREET, SUITE 200
 MOBILE, AL 36602
 PHONE: (251) 462-7800
 FAX: (251) 462-7801
KBR
 Engineering Services by
 KBR Engineering Co., LLC

FEMA EMERGENCY RADIO NETWORK
 ON WIGAN PORTLAND, MAINE
**TRANSMITTER / GENERATOR
 ELECTRICAL PANEL SCHEDULES**



Drawing Number:
E-401