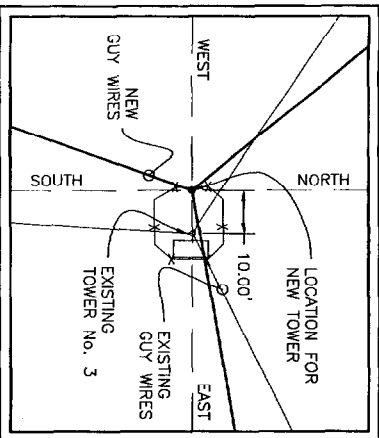
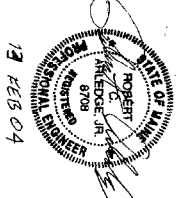


PARTIAL PLAN OF PROPERTY AND LOCATION OF NEW TOWER
SCALE 1" = 50'-0"

DETAIL OF NEW TOWER LOCATION
SCALE 1" = 20'-0"



⊙ DENOTES BORING LOCATION



REVISIONS		DATE	
No.	BY	DESCRIPTION	
1	RCA	DRAWING ISSUED FOR CONSTRUCTION	02-12
2			
3			
4			

PROJECT: **WGAN TOWER REPLACEMENT**
LANE AVENUE, PORTLAND
FOR: PORTLAND RADIO GROUP

SHEET TITLE:
PARTIAL PLAN OF PROPERTY AND PROPOSED LOCATION OF NEW TOWER AND ANCHORS

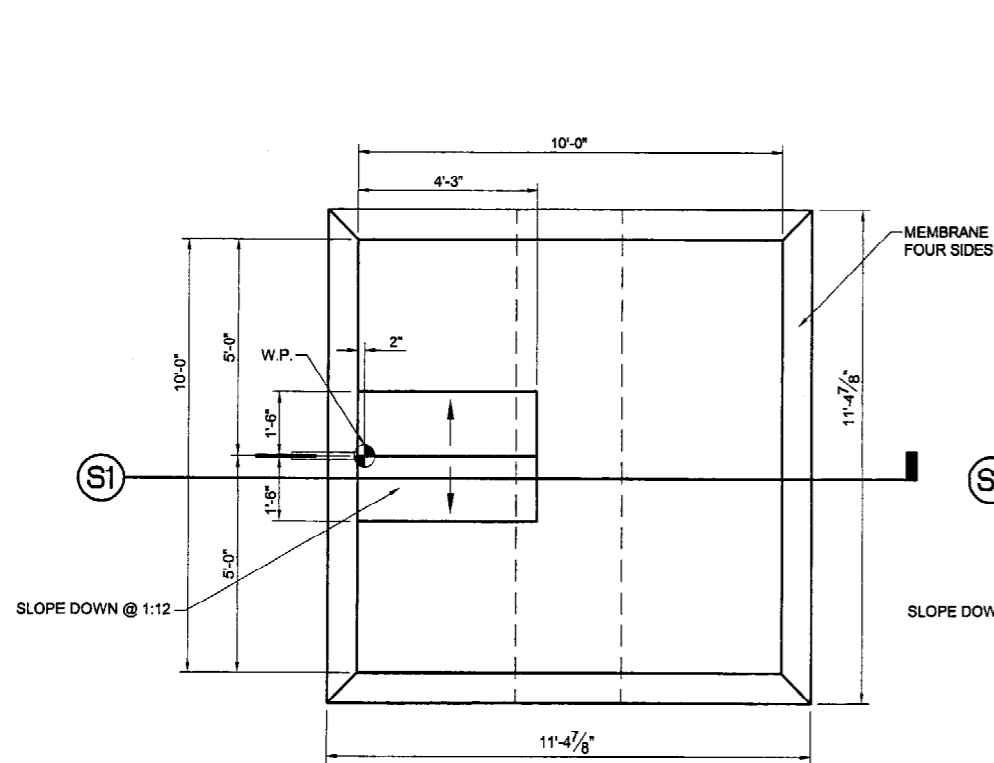
THE DESIGN, CONSTRUCTION AND INSTALLATION OF ANY STRUCTURE OR EQUIPMENT SHOWN ON THIS DRAWING IS THE RESPONSIBILITY OF THE ENGINEER OF RECORD. NO OTHER USE OF THIS DOCUMENT WITHOUT WRITTEN CONSENT IS PERMITTED.

ASSOCIATED DESIGN PARTNERS INC.

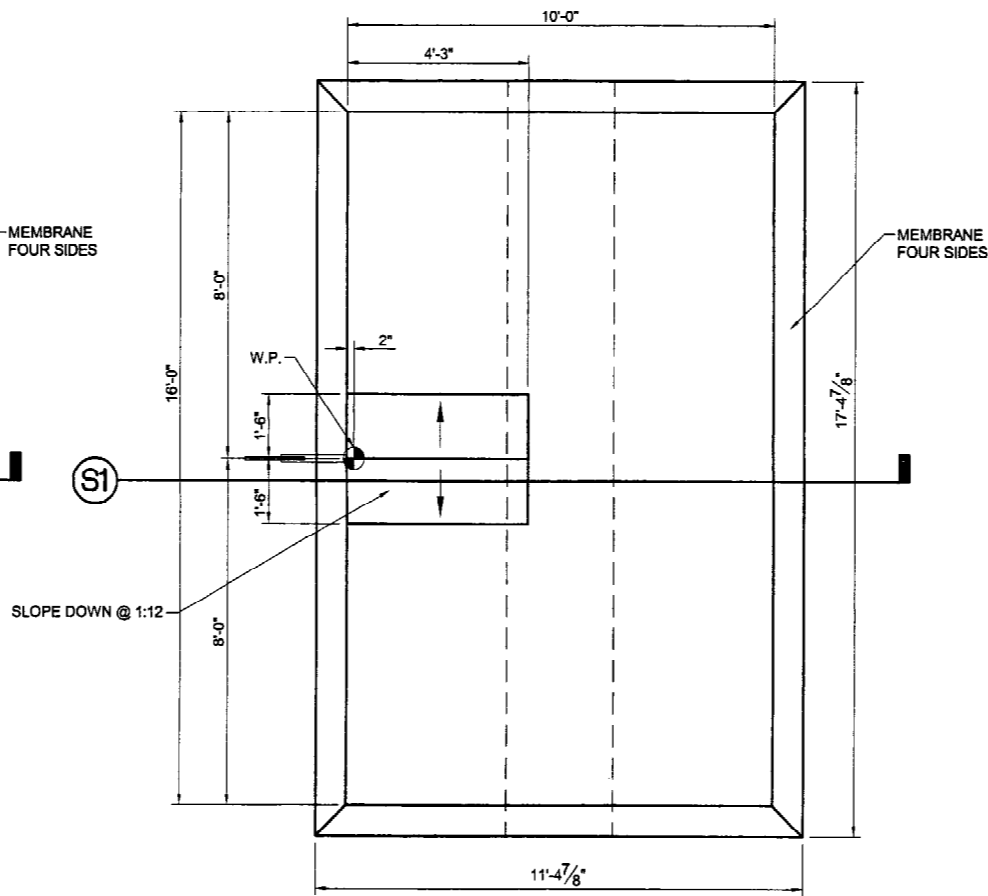
80 Leighton Road
Falmouth, Maine 04105

Office: (207) 878-1751
Fax: (207) 878-1788
E-Mail: adp@adpengineering.com

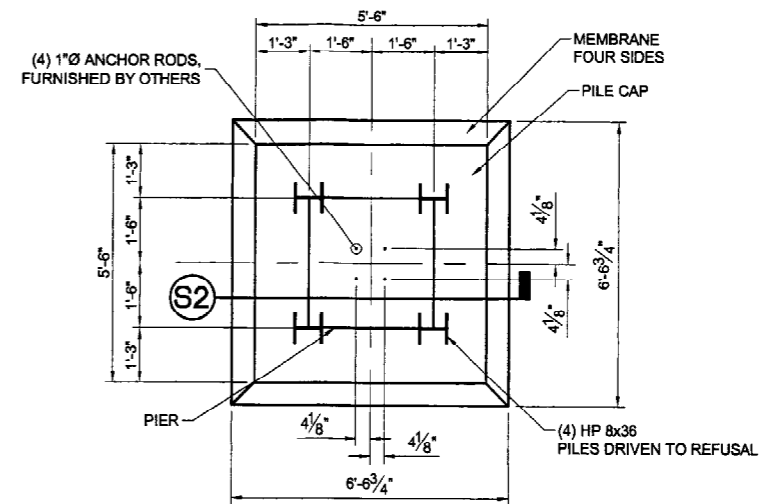
DATE: 02-12-04
SCALE: AS NOTED
DESIGN BY: R. ARLEDGE
DRAWN BY: A. BENNETT
FILE # 2004-02-RR-C100WNS
PROJECT NUMBER:
SHEET NO.: **C100**



PLAN VIEW INNER GUY WIRE ANCHOR
SCALE: 1/2" = 1'-0"



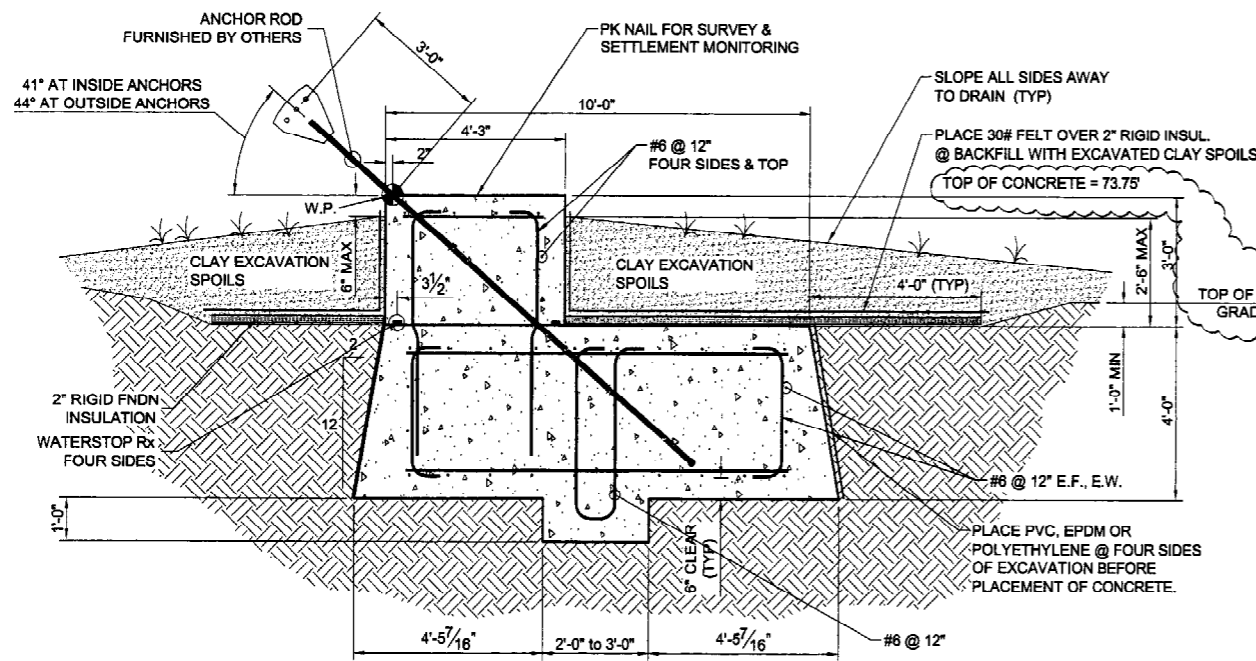
PLAN VIEW OUTER GUY WIRE ANCHOR
SCALE: 1/2" = 1'-0"



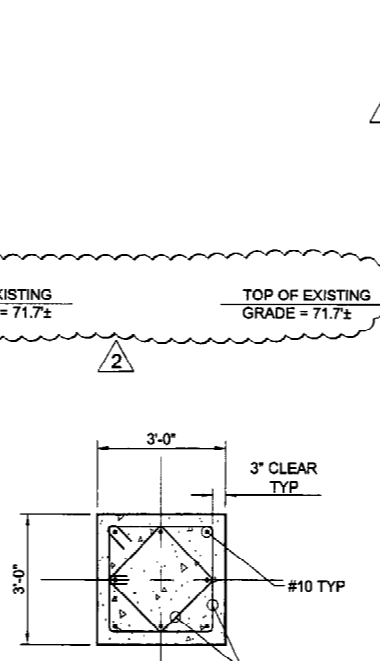
PLAN VIEW AT TOWER BASE
SCALE: 1/2" = 1'-0"

NOTES:

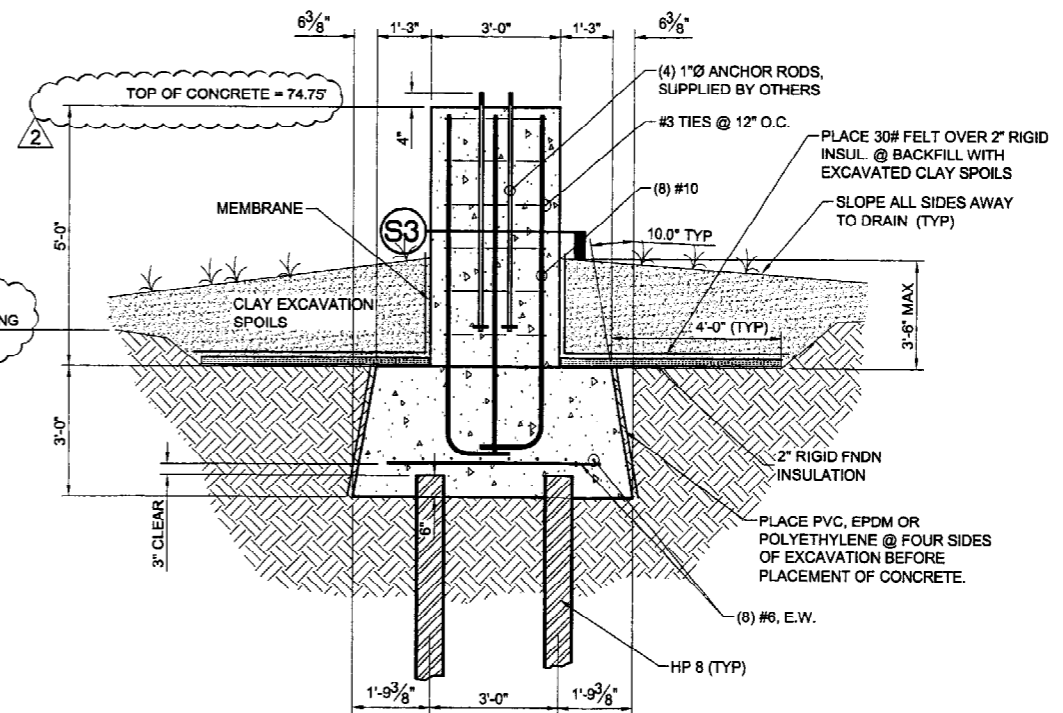
1. CONCRETE COMPRESSIVE STRENGTH SHALL BE A MINIMUM OF 2,000 psi AT 72 HOURS AND A MINIMUM OF 3,000 psi AT 28 DAYS
2. ENTRAINED AIR IN THE CONCRETE SHALL BE 6% ± 1%
3. REINFORCING STEEL SHALL BE GRADE 60
4. STEEL PILES TO BE GRADE 50 STEEL



S1 SECTION AT GUY WIRE ANCHOR
SCALE: 1/2" = 1'-0"



S3 SECTION AT PIER
SCALE: 1/2" = 1'-0"



S2 SECTION AT TOWER BASE
SCALE: 1/2" = 1'-0"

ASSOCIATED DESIGN PARTNERS INC.
80 Leighton Road
Falmouth, Maine 04105
Office: (207) 878-1751
Fax: (207) 878-1788
E-Mail: adp@adpengineering.com

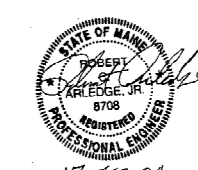
THIS DRAWING, DESIGN AND ELECTRONIC FILE ARE THE PROPERTY OF ASSOCIATED DESIGN PARTNERS, INC. THE REPRODUCTION, COPYING OR ANY OTHER USE OF THIS DOCUMENT WITHOUT WRITTEN CONSENT IS PROHIBITED.

PROJECT: WIGAN TOWER REPLACEMENT
LANE AVENUE, PORTLAND
FOR: PORTLAND RADIO GROUP

SHEET TITLE: GUY WIRE ANCHOR DETAILS AND TOWER BASE DETAILS

REVISIONS	DESCRIPTION	DATE
1	DRAWING ISSUED FOR CONSTRUCTION	02-08
2	NOTES AND ELEVATIONS	02-17

DATE: 02-12-04
SCALE: AS NOTED
DESIGN BY: R. ARLEDGE
DRAWN BY: A. BENNETT
FILE # 04014-00-FR-S100.DWG
PROJECT NUMBER:
04014
SHEET NO:
S100



17 FEB 04