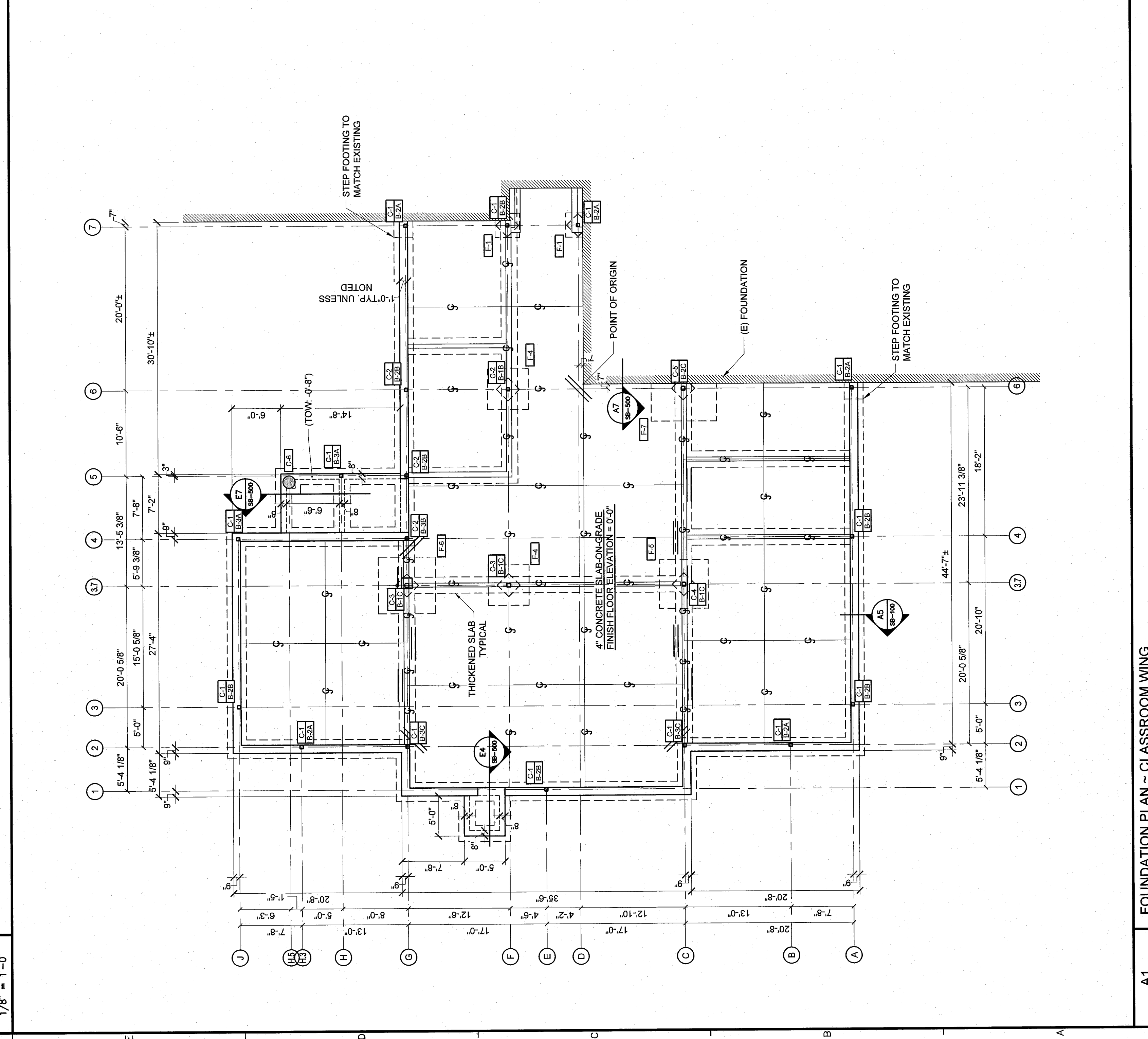
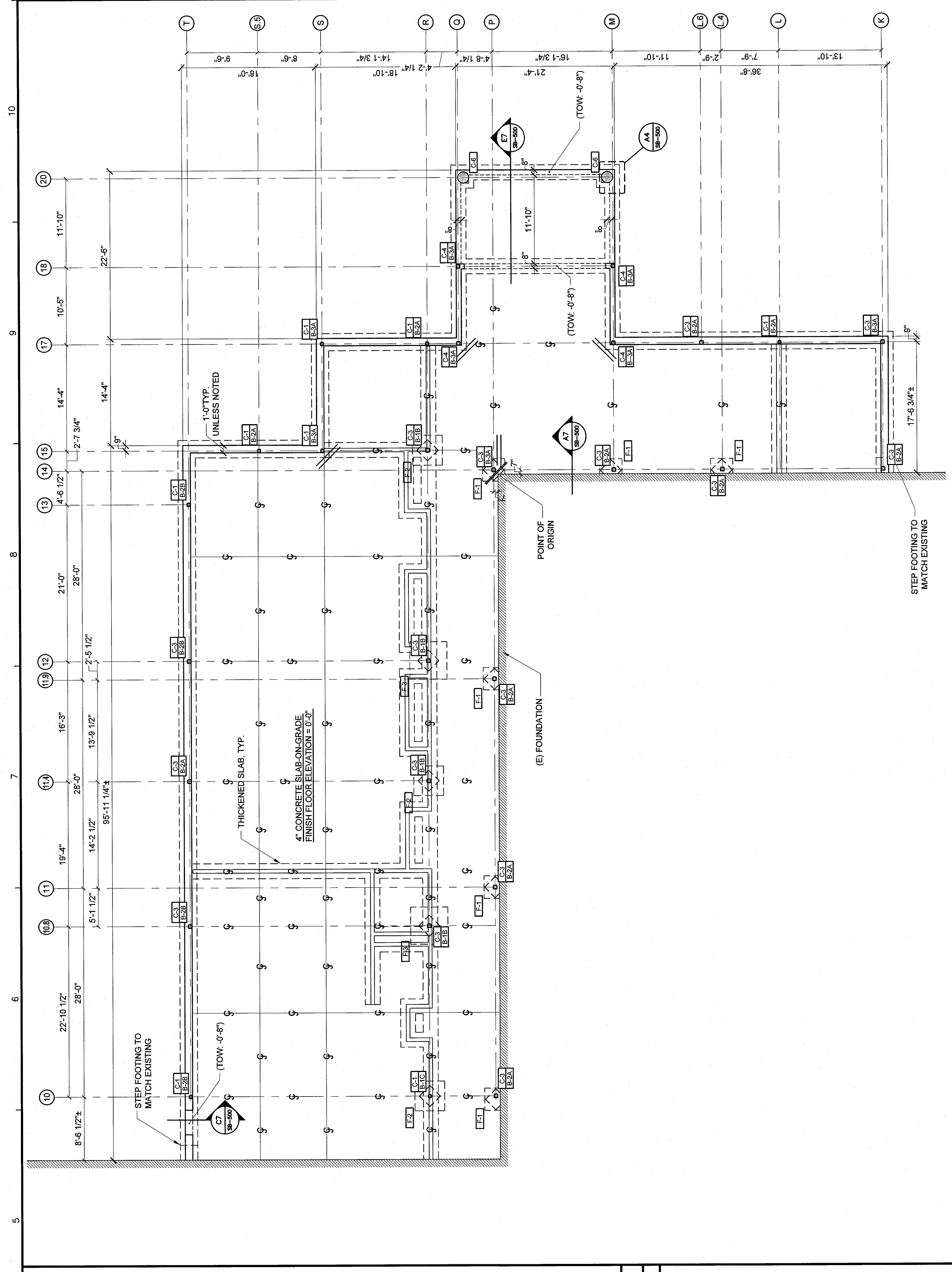


F1 FOUNDATION PLAN - ENTRY CANOPY
1/8" = 1'-0"

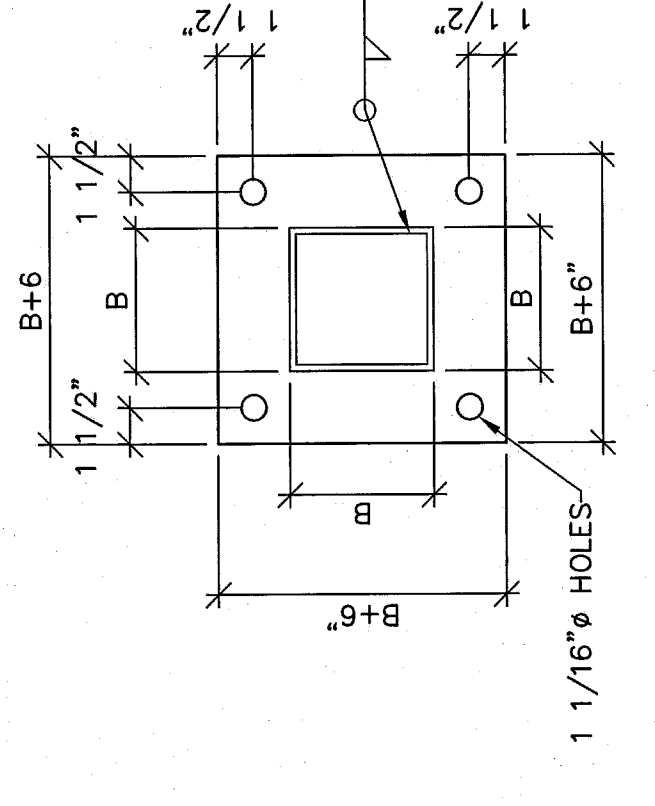


A1 FOUNDATION PLAN - CLASSROOM WING
1/8" = 1'-0"

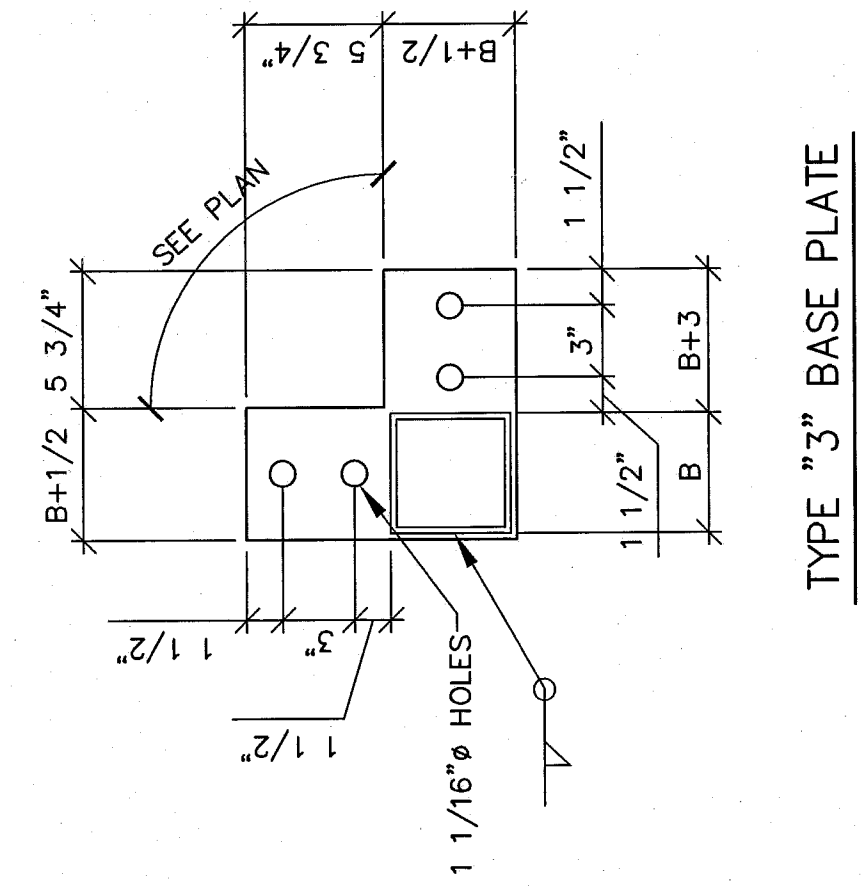


D5 FOUNDATION PLAN - COMMUNITY WING
1/8" = 1'-0"

- FOUNDATION PLAN NOTES:
1. [C#] INDICATES COLUMN TYPE - SEE DRAWING SF-100 FOR SCHEDULE
 2. [F#] INDICATES FOOTING TYPE - SEE DRAWING SB-100 FOR SCHEDULE
 3. PERIMETER FOUNDATION: TOP OF WALL (T.O.W.) ELEVATION = 0'-0" UNLESS NOTED OTHERWISE (U.N.O.)
 4. FINISHED FLOOR ELEVATION = 0'-0" (U.N.O.)
 5. INTERIOR COLUMN SPREAD FOOTINGS: TOP OF FOOTING (T.O.F.) ELEVATION = (-1'-4") (U.N.O.)
 6. BOTTOM OF EXTERIOR WALL FOOTING TO BE 4'-0" MINIMUM BELOW EXTERIOR FINISHED GRADE ELEVATION. PROVIDE STEPS IN FOOTING AS REQUIRED. SEE DETAIL ON S-100.
 7. MINIMUM WALL REINFORCING SCHEDULE TO BE USED WHEN REINFORCING IS NOT INDICATED OTHERWISE ON PLANS.



TYPE "1" BASE PLATE

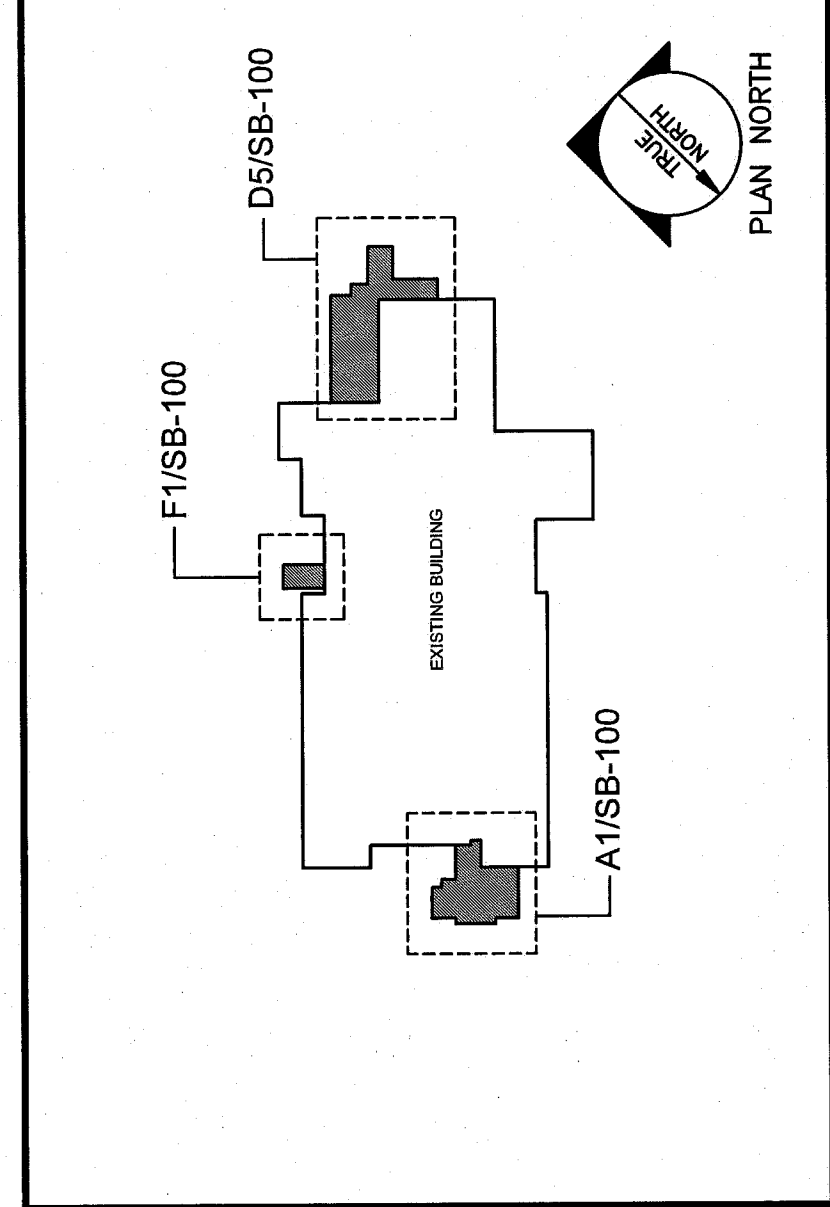


TYPE "2" BASE PLATE

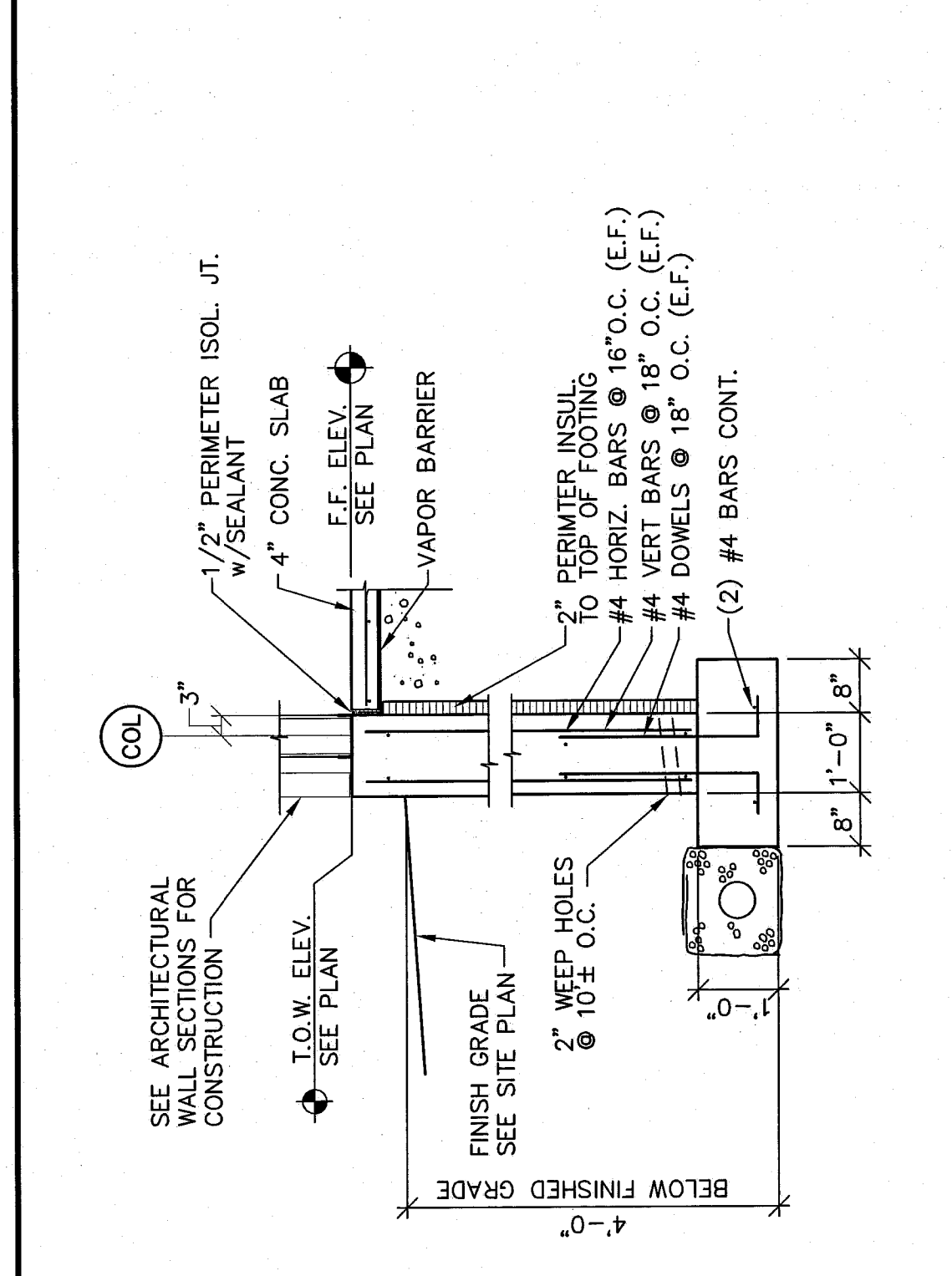
BASE PLATE THICKNESS:

- A = 1/2"
- B = 5/8"
- C = 3/4"
- D = 1"
- E = 1 1/8"
- F = 1 1/4"
- G = 1 1/2"

NOTE:
PROVIDE (4) 3/4" ANCHOR BOLTS
W/9" EMBEDMENT AND A 3" LEG. TYP.
FOR EACH BASE PLATE.



A9 KEY PLAN



A5 TYPICAL FOUNDATION WALL DETAIL