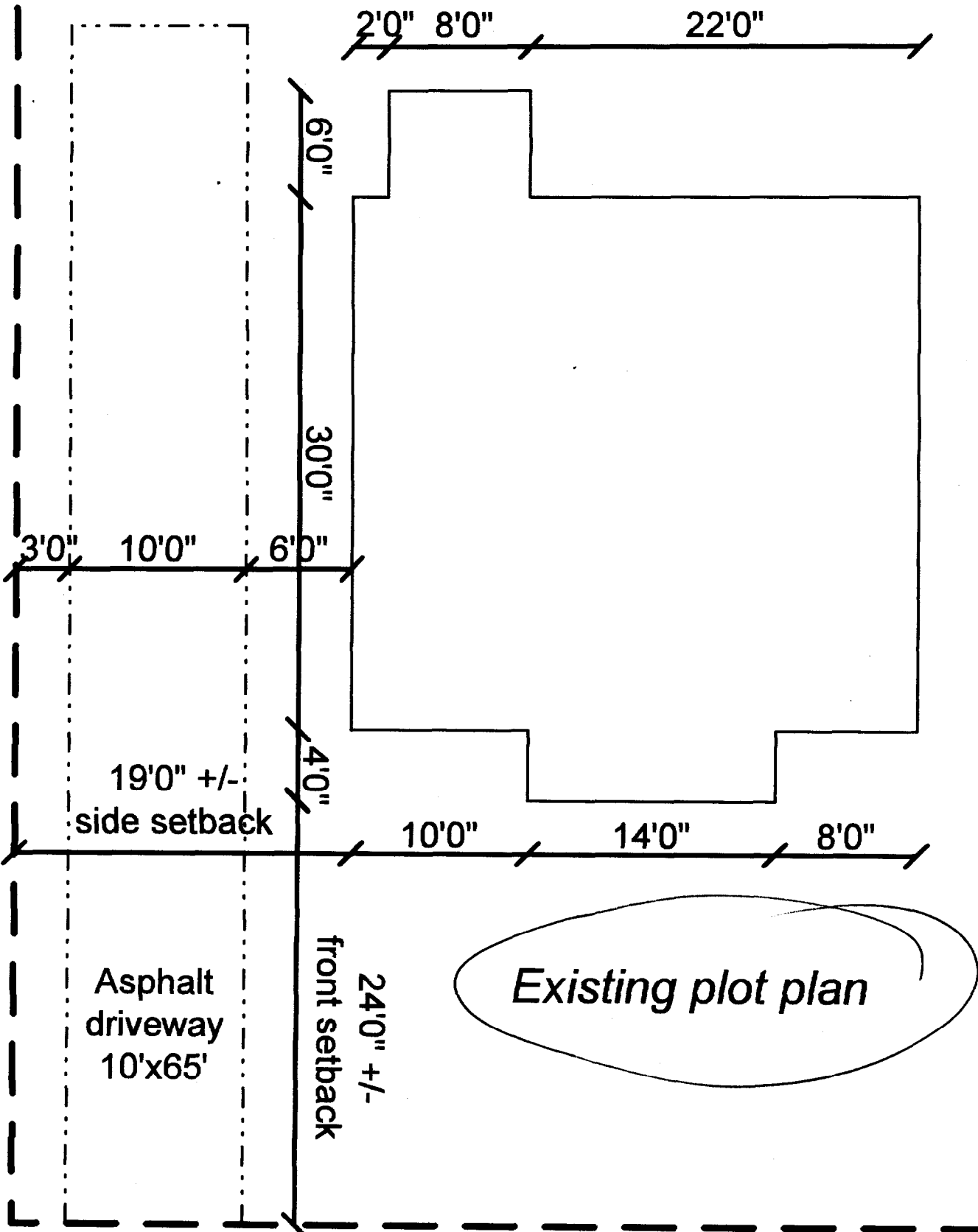
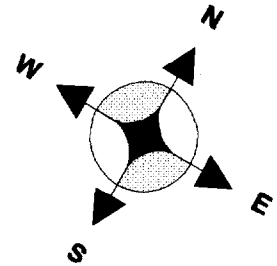


Leroy & Catherine Doucette
33 Belfort Street Portland ME
Chart/Block/Lot = 299-D-12-13
Lot sizes = 30'x99' + 30'x99'
Zoning = R3 Elev. = 102'

Scale: 1/8" = 1'



BELFORT STREET

Rebar

Leroy & Catherine Doucette
33 Belfort Street Portland ME
Chart/Block/Lot = 299-D-12-13

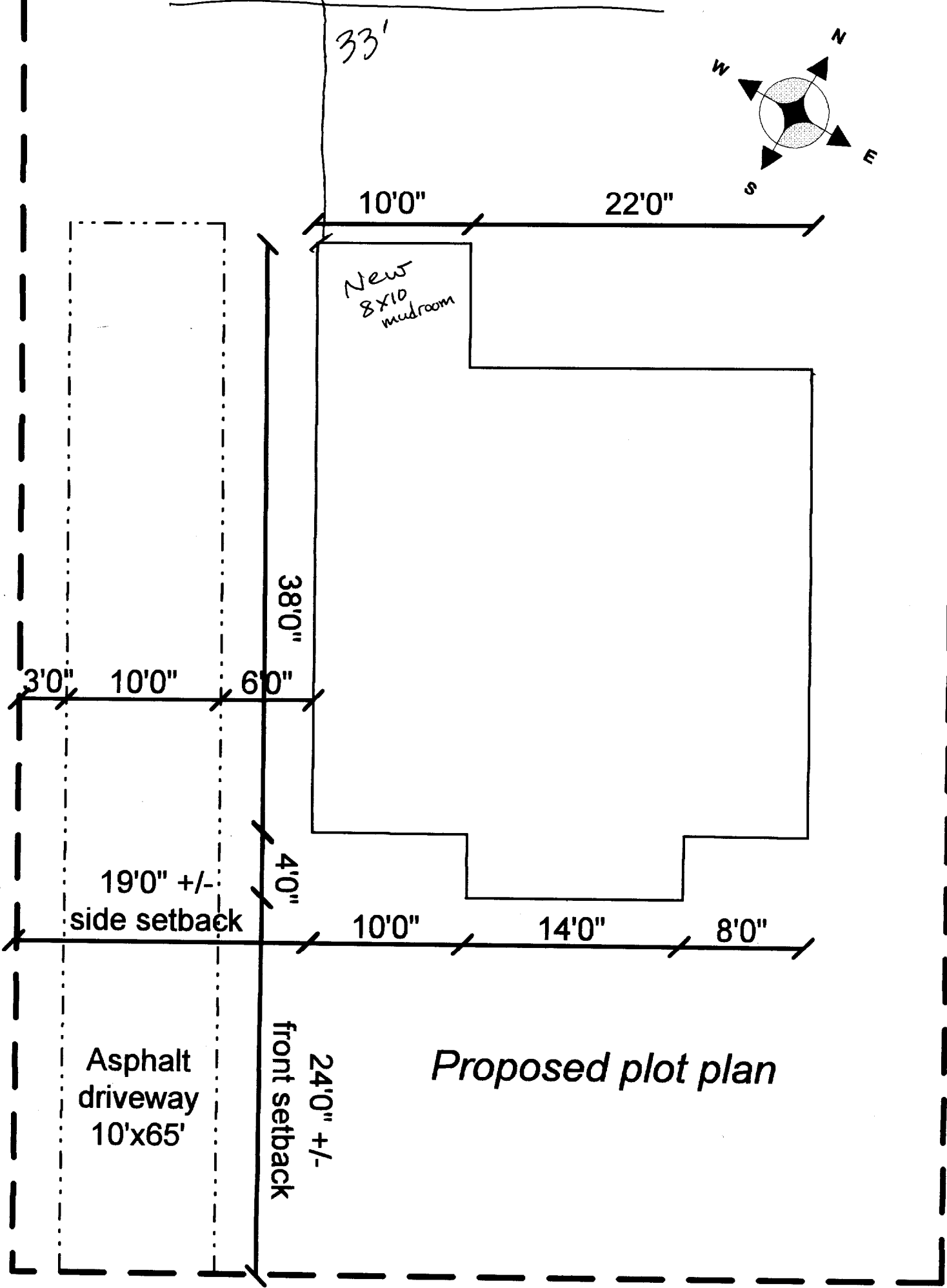
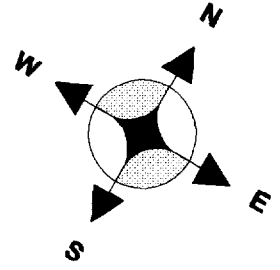
Lot sizes = 30'x99' + 30'x99'
Zoning = R3 Elev. = 102'

Scale: 1/8" = 1'

R3 Zone

existing storage shed

Rear 25' Req
33' shown
Side 8' Req
19' shown



99'

Proposed plot plan

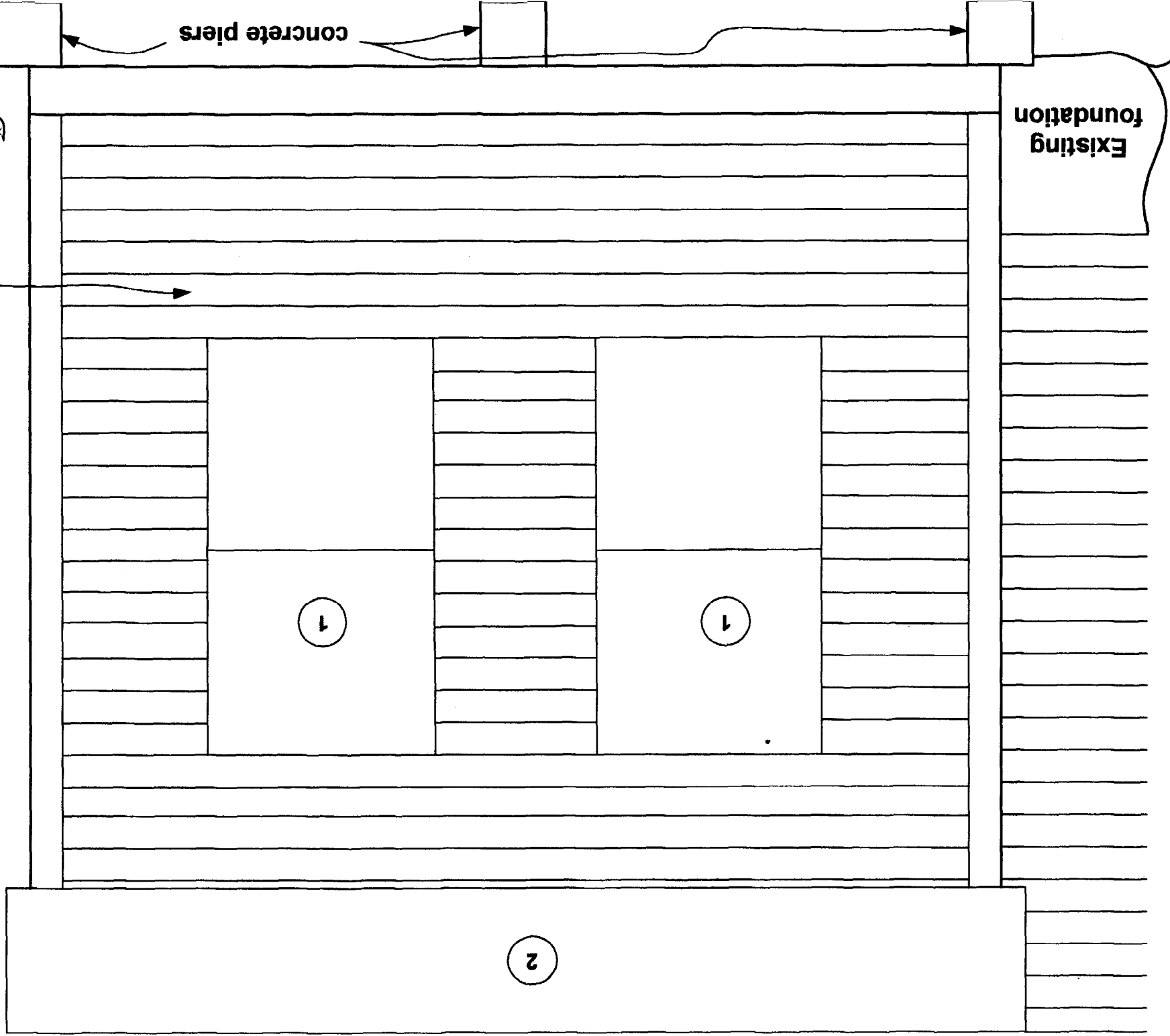
BELFORT STREET

**Rear Entry Remodel
33 Belfort Street
West Elevation**

Scale: 3/4" = 1'

NOTES:

- 1. windows = 2'4"x4'4" combination storms (recovered)
- 2. 3-tab asphalt shingles to match existing
- 3. 1/2x6" cedar siding 4" exposure w/ 1x4 corner boards



concrete piers

Existing foundation

(Make house to Add pattern)
Driveway

less than 15 1/2" off grade

3

1

1

2

**Rear Entry Remodel
33 Belfort Street
South Elevation**

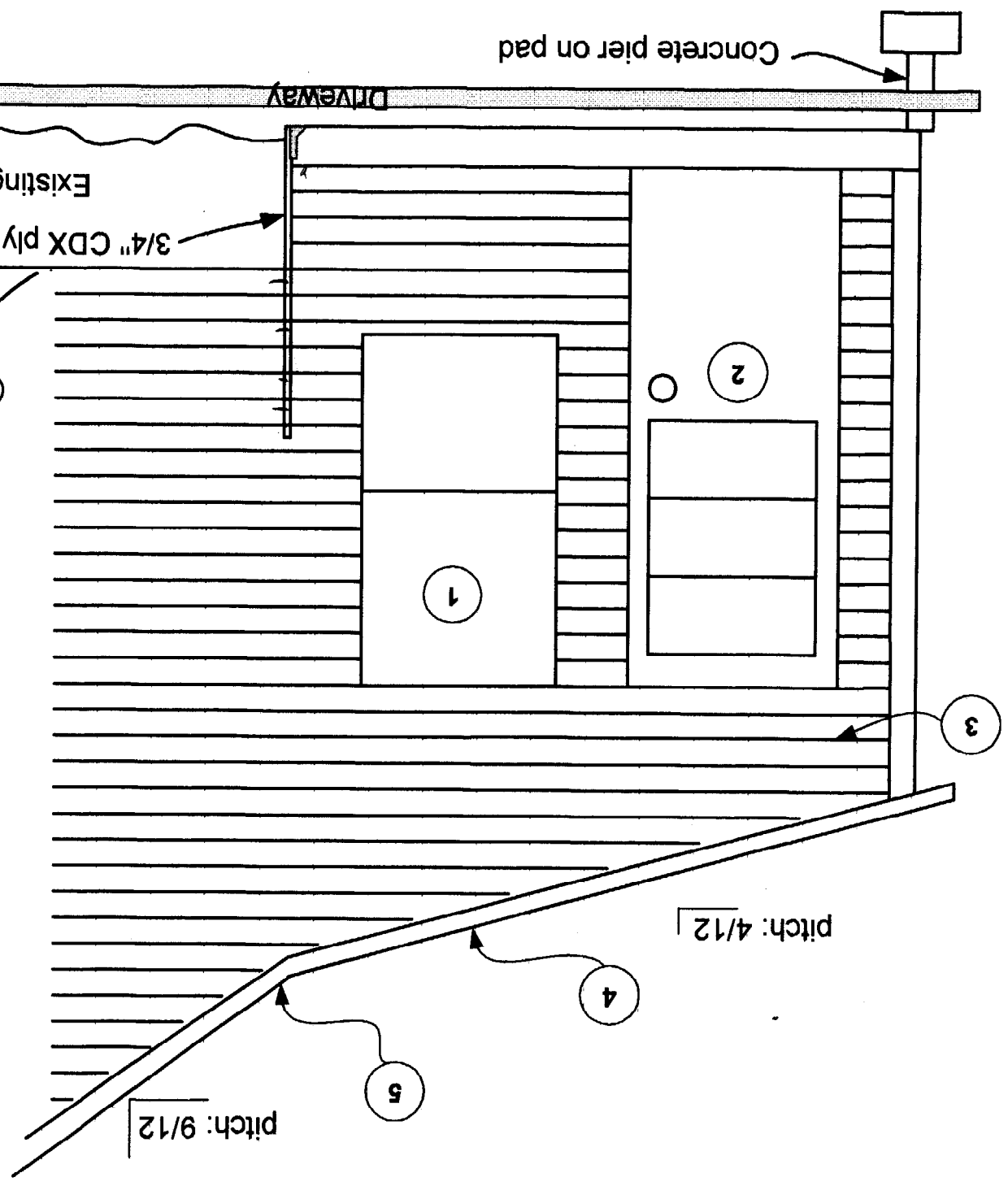
Scale: 1/2" = 1'

NOTES:

1. windows = 2'4"x4'4" combination storms (recovered)
2. door = 2'8"x6'8" steel door w/ 1/2 pane (recovered)
3. 1/2x6" cedar siding 4" exposure w/ 1x4 corner boards
- 4 3-tab asphalt shingles over 15# asphalt roof paper
5. bituthene membrane at roof transition

*OR Anchor Bolts to 2x6 ledgers
existing foundation*

3/4" CDX ply to existing framing to carry joist hangers (Attach 2x6 ledgers)



Concrete pier on pad

Driveway

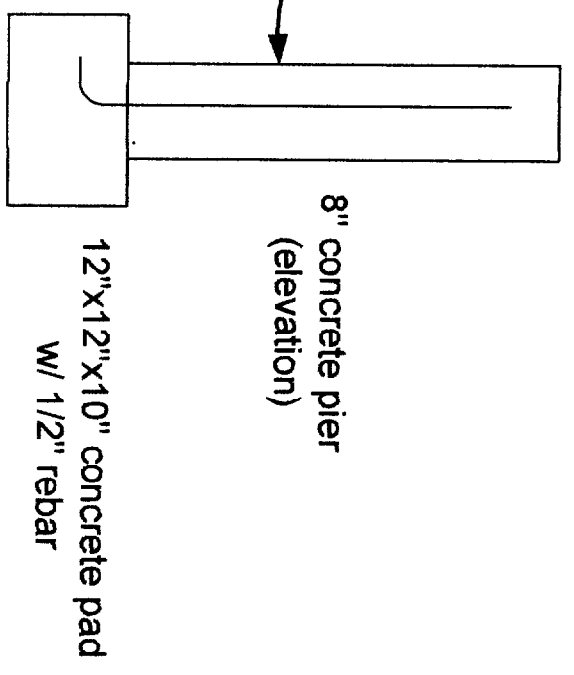
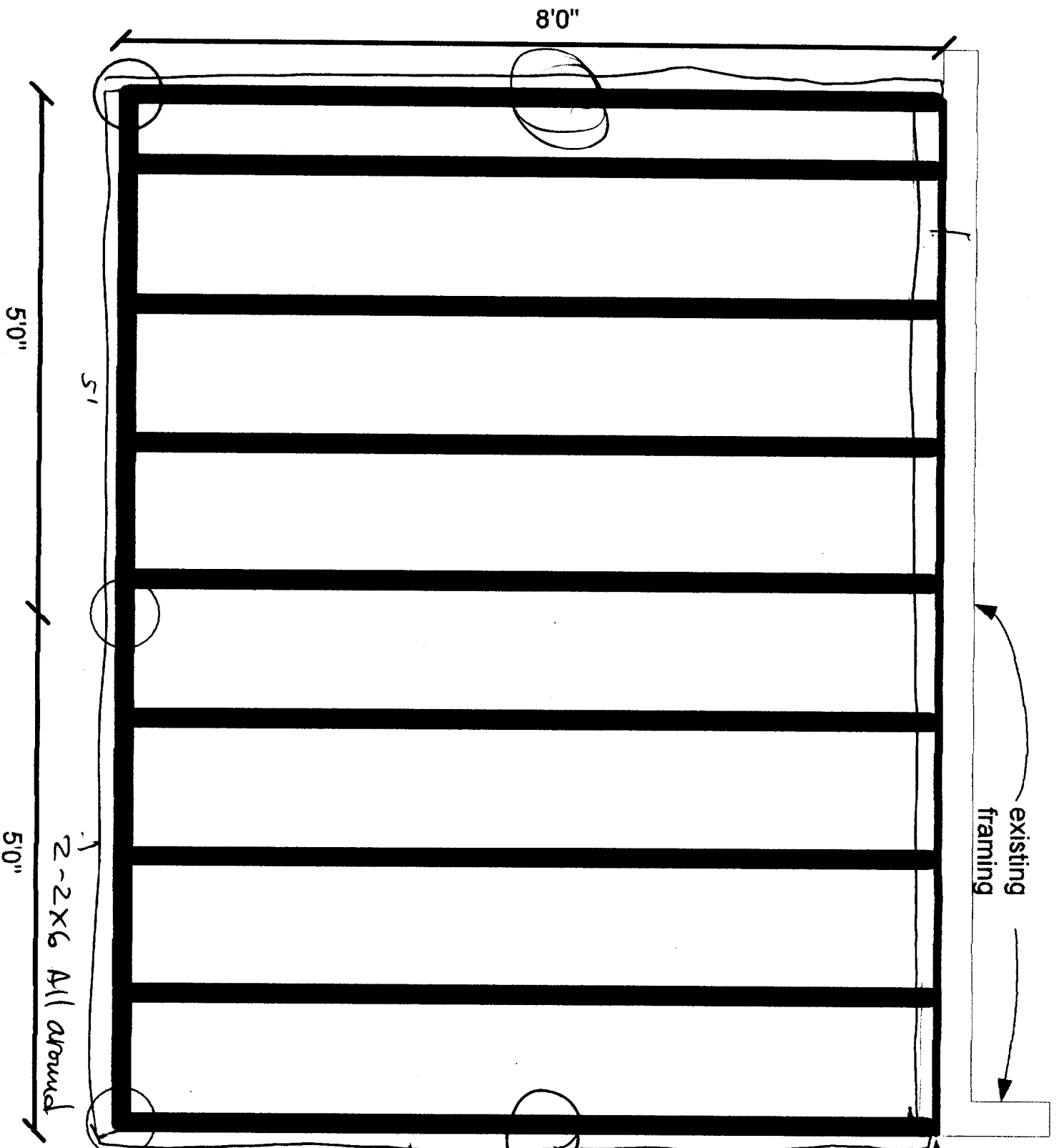
Existing foundation

Rear Entry Remodel 33 Belfort Street Floor Framing

Scale: 3/4"=1'

NOTES:

1. 3/4" CDX attached to house framing to carry 2x6 joist hangers
2. concrete piers to surface grade +1"
3. floor joist pressure treated 2x6 @16" o.c. in joist hangers both ends
4. 3/4" CDX subfloor

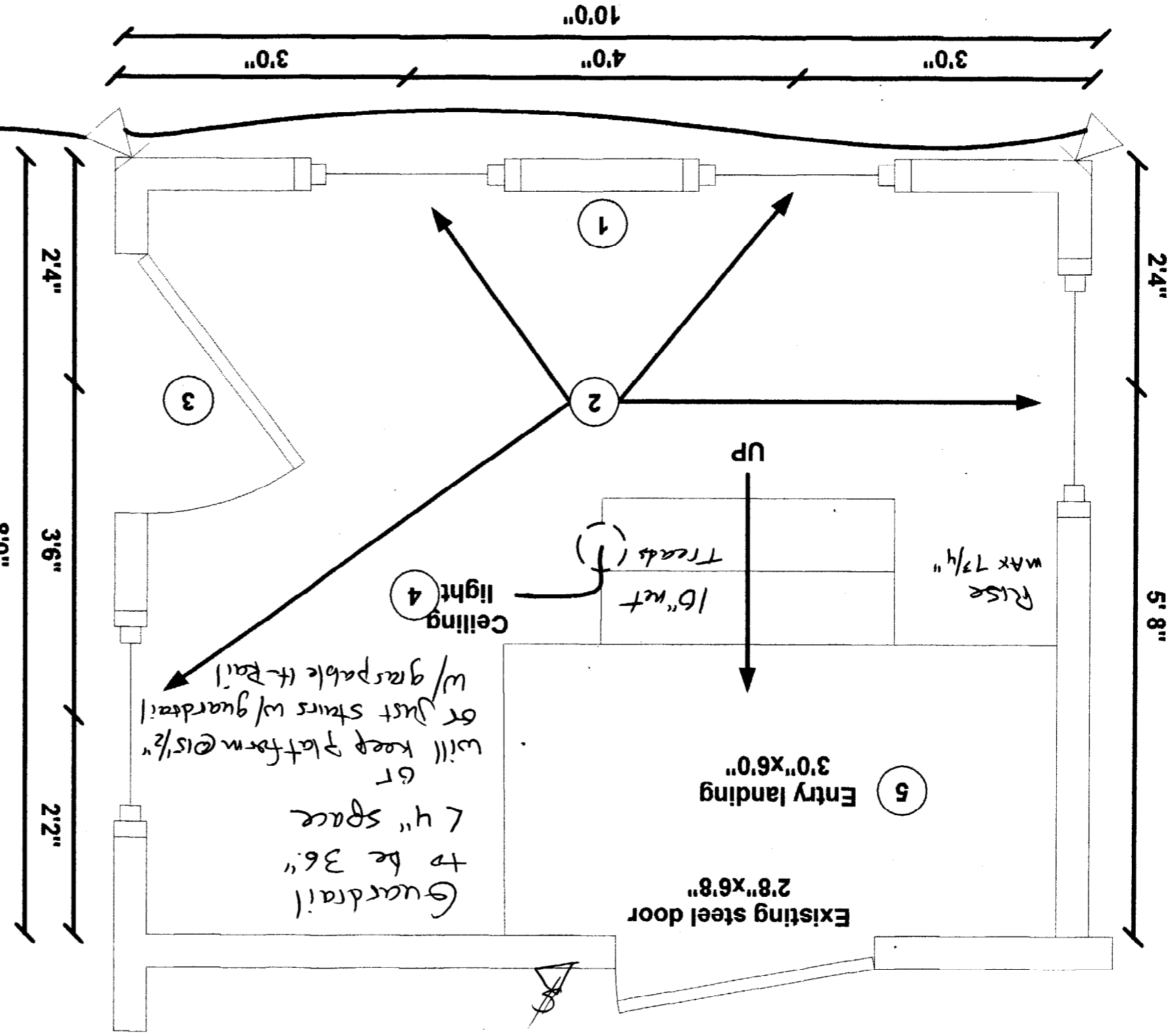


**Rear Entry Remodel
33 Belfort Street
Floor Plan**

Scale: 3/4"=1'

NOTES:

1. wall framing = 2x4 fir @ 16" o.c.
2. windows = 2'4"x4'4" combination storms w/ 1/2" OSB sheathing
3. door = 2'8"x6'8" steel door w/ 1/2 pane (recovered)
4. lights from existing switches (recovered)
5. entry landing is 5/4x6 pressure treated (recovered)

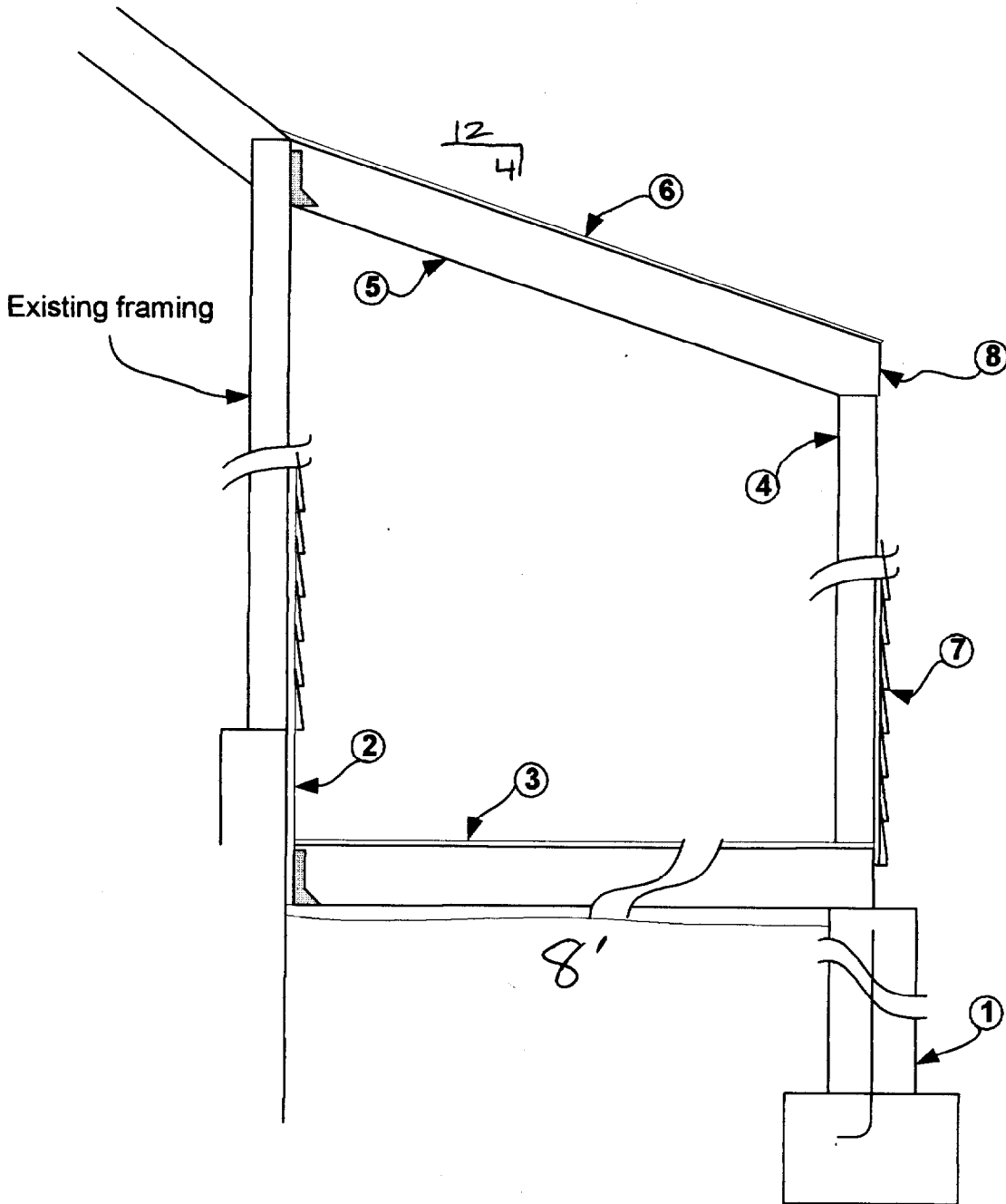


Rear Entry Remodel 33 Belfort Street Framing Detail

Scale: 3/4" = 1'

NOTES:

1. 8" concrete pier on 12"x12"x10" pad w/ 1/2" rebar - 48" min depth
2. 3/4" CDX attached to existing wall framing to carry floor joist
3. floor framing: 3/4" CDX on PT2x6 in joist hangers @16"oc
4. wall framing: 1/2" OSB sheathing on 2x4 KD Hem/fir @16"oc
5. roof framing: 1/2" CDX ply on 2x6 KD Hem/fir @16"oc in joist hangers at existing roof line
6. roof covering: 3tab asphalt shingles over 15# asphalt roof paper
7. ext wall: 1/2"x6 red cedar 4" exposure w/ 1x4 corner boards
8. fascia to match existing

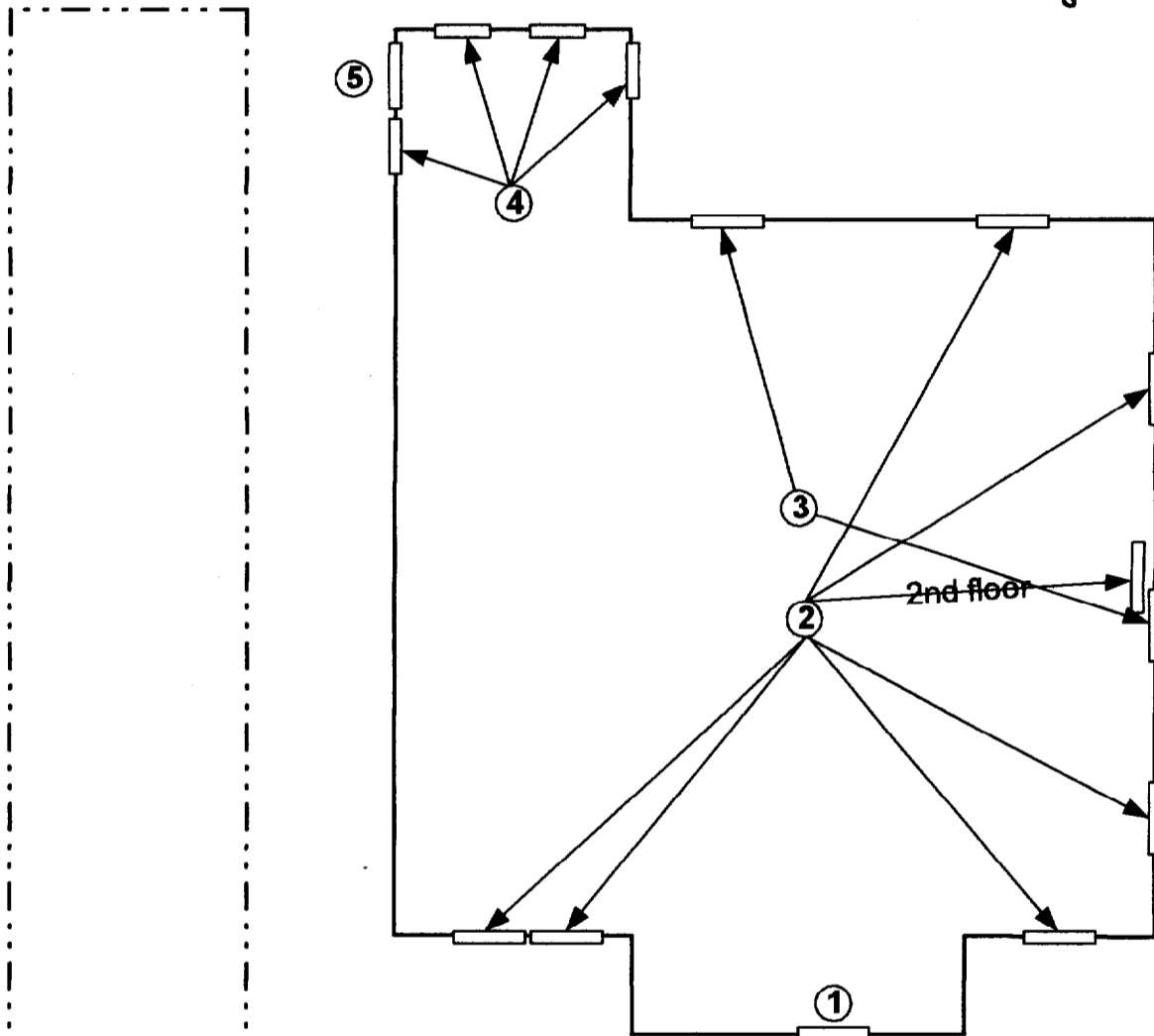
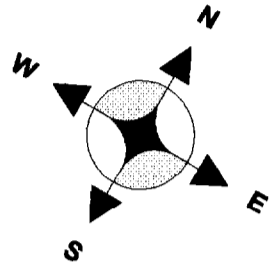


Leroy & Catherine Doucette
33 Belfort Street Portland ME
Chart/Block/Lot = 299-D-12-13
Lot sizes = 30'x99' + 30'x99'
Zoning = R3 Elev. = 102'
Scale: 1/8" = 1'

existing
storage shed

Door & Window Schedule

1. 3'0"x6'8" steel door w/ 1/2 pane
2. 2'10"x4'2" Anderson tilt-wash dbl hung window w/ screen
3. 2'10"x2'10" Anderson tilt-wash dbl hung window w/screen
4. 2'4"x4'4" aluminum combination storm window (recovered)
5. 2'8"x6'8" steel door w/ 1/2 pane(recovered)



Door & Window Schedule

BELFORT STREET