



Features

- Nominal voltage 24VDC
- Unit is shipped with ANSI/UL1638 listed strobe or horn/strobe
- Super-Slide® - Ease of Supervision Testing
- Checkmate® - Instant Voltage Verification
- Switch selection for high or low dBA
- Switch for mechanical and 2400Hz tone
- Switch for continuous tone or temporal 3 (not available on whoop tone)
- Tamperproof re-entrant grill
- Prewire entire system, install mounting bracket, then install signals
- Separate horn and strobe functions
- Synchronize strobe and/or horn by using Potter AVSM Control Module
- Listed to ANSI/UL1638 when used with the WPBB or WPLPBB enclosure
- WPBB/WPLPBB made of clear Lexan® - provides maximum visibility and reliability for effective visible signaling - allowing full 75cd output
- Input terminals accept 12 to 18 AWG
- Faceplate available in red or off-white

Unit Dimensions

- WP Unit: 5.75" (14.605 cm) high x 4.75" (12.065 cm) wide x 4.18" (10.617 cm) deep
- LP Unit: 5.75" (14.605 cm) high x 4.75" (12.065 cm) wide x 3.25" (8.255 cm) deep



LISTED

S3247 Product includes a 5 year warranty

Description

The Outdoor Series offers dependable visible and/or audible alarms for all outdoor needs.

Included with the SLP/HSLP Series is the WPBB or WPLPBB outdoor enclosure. The enclosure is made of high quality Lexan® material, providing protection from weather related conditions and allowing the necessary full candela output. This highly constructed enclosure meets various installation requirements including deterring moisture from entering the enclosures.

The Outdoor Series is equipped with the 4" mounting plate which incorporates the Super-Slide® feature that allows the installer to easily test for supervision. The product also features a locking mechanism which secures the product to the bracket without any screws showing.

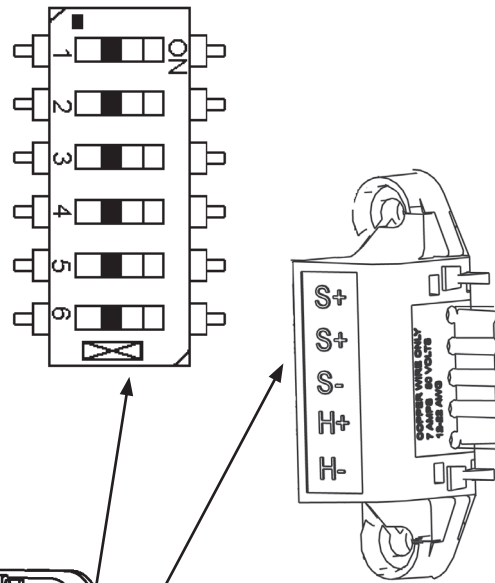
The Series also features the Checkmate® - Instant Voltage Verification feature which allows the installer to check the voltage drop draw and match it to ten blueprint.

The Series strobe has a minimal operating current and has a minimum flash rate of 1Hz regardless of input voltage.

The Series appliances are ANSI/UL 464 and ANSI/UL 1638 listed for use with fire protective systems and are warranted for three years from date of purchase.

Tone Switch Locations

TONE	SWITCH POSITION		
	3	4	5
Mechanical Temporal 3	ON	ON	ON
Mechanical - Continuous	OFF	ON	ON
2400 Hz - Temporal 3	ON	OFF	ON
2400 Hz - Continuous	OFF	OFF	ON
Chime - Temporal 3	ON	ON	OFF
Chime - Continuous	OFF	ON	OFF
Whoop	ON	OFF	OFF
Whoop	OFF	OFF	OFF

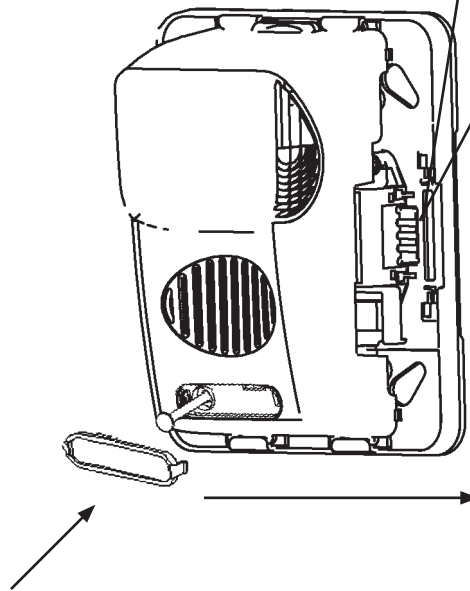


NOTE:

- Switch Positions 1 and 2 in the OFF position to select isolated horn and strobe power inputs
- Switch Position 6 ON = HIGH dBA
- Switch Position 6 OFF = LOW dBA

Super-Slide® Mounting Bracket

Allows the installer to pre-wire the system, test for system supervision, remove the signal head until occupancy, switch out Gentex signals without changing mounting brackets and has locking edge connector for snap-in-place installation.



Gentex Checkmate® Instant Voltage Verification

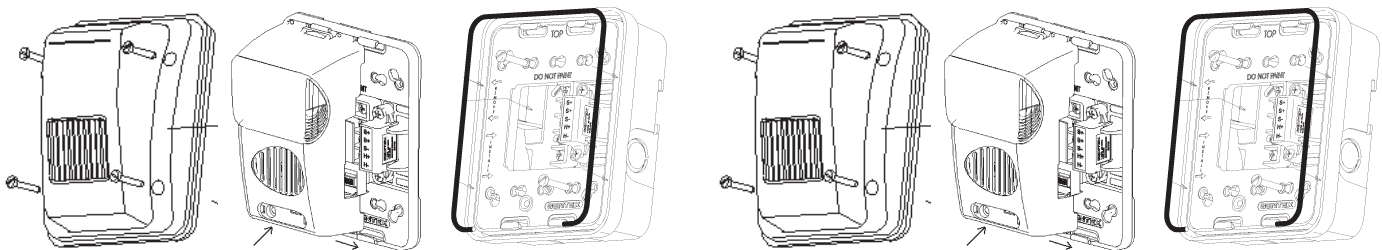
It is often necessary to confirm the voltage drop along a line of devices. The access holes are provided in the back of the terminal block to allow the voltage to be measured directly without removing the device. Typically this would be done at the end of the line to confirm design criteria. Most measurements will be taken using the S+ and S- locations although access is provided to other locations.

NOTE: Care should be taken to not short the test probes.

Mounting Outdoor Enclosure

Super-Slide® Mounting Plate:
Mounts to Outdoor Enclosure

Super-Slide® Mounting Plate:
Mounts to GOELP Outdoor Enclosure



SLP24 Volt Outdoor Strobe

Model Number	Part Number	Nominal Voltage	Candela (ANSI/UL 1638)	Shipping
S-24WR-WP	4890050	24 VDC	75	Shipped with Weather Proof Back Box
S-24WW-WP	4890051	24 VDC	75	
S-24PWR-WP	4890052	24 VDC	75	
S-24PWW-WP	4890053	24 VDC	75	
SLP-24WR-WP	4890054	24 VDC	75	Shipped with Low Profile Weather Proof Back Box
SLP-24WW-WP	4890055	24 VDC	75	
SLP-24PWR-WP	4890056	24 VDC	75	
SLP-24PWW-WP	4890057	24 VDC	75	

Model Designations:

"W" = Wall Mount
 "R" = Red Faceplate
 "P" = Plain (no lettering)
 "W" = Off-White Faceplate
 NOTE: Plain units are non-returnable.
 "LP" = Low Profile (WPLPBB Enclosure)

HS-24 Outdoor Horn/Strobe

Model Number	Part Number	Nominal Voltage	Candela (ANSI/UL 1638)	Reverberant dBA @ 10 ft. per ANSI/UL 464	In Anechoic Room dBA @ 10 ft.
HS-24WR-WP	4890060	24 VDC	75	70-82	100
HS-24WW-WP	4890061	24 VDC	75	70-82	100
HS-24PWR-WP	4890062	24 VDC	75	70-82	100
HS-24PWW-WP	4890063	24 VDC	75	70-82	100
HSLP-24WR	4890064	24 VDC	75	70-82	100
HSLP-24WW	4890065	24 VDC	75	70-82	100
HSLP-24PWR	4890066	24 VDC	75	70-82	100
HSLP-24PWW	4890067	24 VDC	75	70-82	100

Horn Mode	Horn Decibel Levels		Horn Current Ratings
	Minimum SPL at 10 feet per ANSI/UL 464 (HIGH)	Minimum SPL at 10 feet per ANSI/UL 464 (LOW)	Regulated 24 VDC Max. Operating at High Setting
Temp 3 2400 Hz	78 dBA	71* dBA	28 mA
Temp 3 Mechanical	76 dBA	70* dBA	25 mA
Temp 3 Chime	70* dBA	66* dBA	15 mA
Continuous 2400 Hz	81 dBA	74* dBA	28 mA
Continuous Mechanical	80 dBA	72* dBA	25 mA
Continuous Chime	70* dBA	66* dBA	15 mA
Whoop	82 dBA	69* dBA	56 mA

WGE Series Product Strobe Current Ratings	
Candela	75 cd
24 VDC	112 mA
UL Max ¹	170 mA

NOTES:

- The S-24 WP/HS-24 WP Series are listed for outdoor use. Indoor Operating Temperature: 32°F to 120°F (0°C to 49°C). Outdoor Operating Temperature: -31°F to 150°F (-35° C to 66°C).
- For nominal and peak current across ANSI/UL regulated voltage range for filtered DC power and unfiltered (FWR [Full Wave Rectified]) power, see installation manual.
- Potter does not recommend using a coded or pulsing signaling circuit with any of our strobe products.
- The sound output for the temporal 3 tone is rated lower since the time the horn is off is averaged into the sound output rating. While the horn is producing a tone in the temporal 3 mode its sound pressure is the same as the continuous mode.
- * Operating the horn in this mode at this voltage will result in not meeting the minimum UL reverberant sound level required for public mode fire protection service. These settings are acceptable only for private mode fire alarm use. Use the high dBA setting for public mode application (not applicable when using the chime tone. The chime tone is always private mode).

Architect & Engineering Specifications

The audible and/or visible signal shall be SLP/HSLP Series or approved equal and shall be listed by Underwriters Laboratories Inc. per ANSI/UL 1638 and/or ANSI/UL 464. The notification appliance shall also be listed with the California State Fire Marshal (CSFM).

The notification appliance (combination audible/visible) shall produce a peak sound output of 100dBA or greater at as measured in an anechoic chamber. The signaling appliance shall also have the capability to silence the audible signal while leaving the visible signal energized with the use of a single pair of power wires. Additionally, the user shall be able to select either continuous or temporal tone output with the temporal signal having the ability to be synchronized.

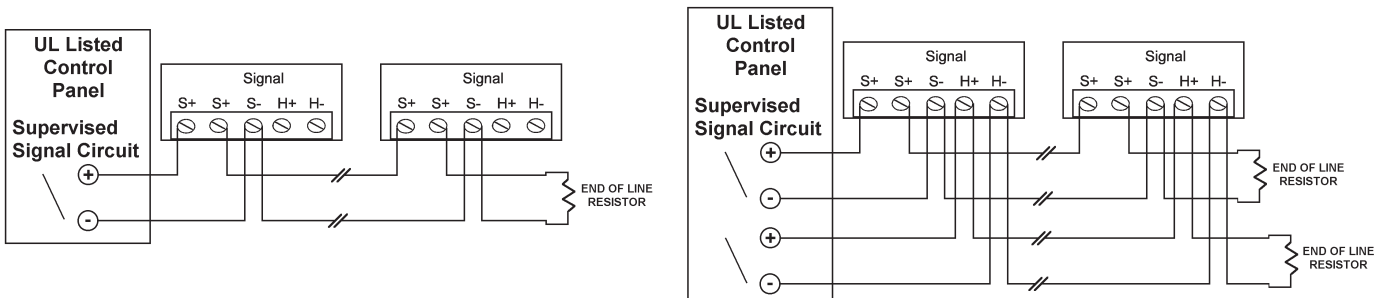
The audible/visible and visible signaling appliance shall also maintain a minimum flash rate of 1Hz or up to 2 Hz regardless of power input voltage. The appliance shall have an operating current of 170mA or less for the 75Cd strobe circuit. The appliance shall also be capable of meeting the candela requirements of the ADA (75cd).

The appliance shall be polarized to allow for electrical supervision of the system wiring. The unit shall be provided with a mounting bracket with terminals with barriers for input/output wiring and be able to mount to a single gang or double gang box or double workbox without the use of an adapter plate. The unit shall have an input voltage range of 16-33 volts with either direct current of full wave rectified power for 24 volt models.

The appliance shall be capable of testing supervision without disconnecting wires. Also the appliance shall be capable of mounting to a surface back box. The unit shall also be able to verify voltage at the unit without removing unit.

The appliance has extended temperature range of -31° to 150°F (-35° to 66° C). The appliance shall satisfy virtually all outdoor and severe environment applications. The Enclosure includes a gasket that must be inserted between the box and mounting bracket. There are drain holes in the back box to allow for drainage, the seal on the GOE Enclosure is not water tight. The LP Enclosure includes a weather seal for mounting to wall and intended for use with universal electrical box. To allow for drainage, bottom edge of enclosure is not water tight.

Conventional Wiring Diagrams for Emergency Notification Evacuation Series



NOTES:

- All strobes are designed to flash as specified with continuous applied voltage. Strobes should not be used on coded or pulsing signaling circuits. However, use of the Potter AVSM control module or Gentex synchronization protocol is permitted to synchronize the strobe, horn and/or mute the horn.
- FOR SYNCHRONIZATION WIRING INFORMATION, REFERENCE AVSM CONTROL MODULE DATA SHEET (8830050) AND/OR AVSM CONTROL MODULE MANUAL FOR SYNCHRONIZATION MODULE WIRING DIAGRAMS. AVSM CONTROL MODULE DATA SHEET AND MANUAL CAN BE OBTAINED AT <http://www.pottersignal.com> OR CALL POTTER ELECTRIC AT 1-800-325-3936.**