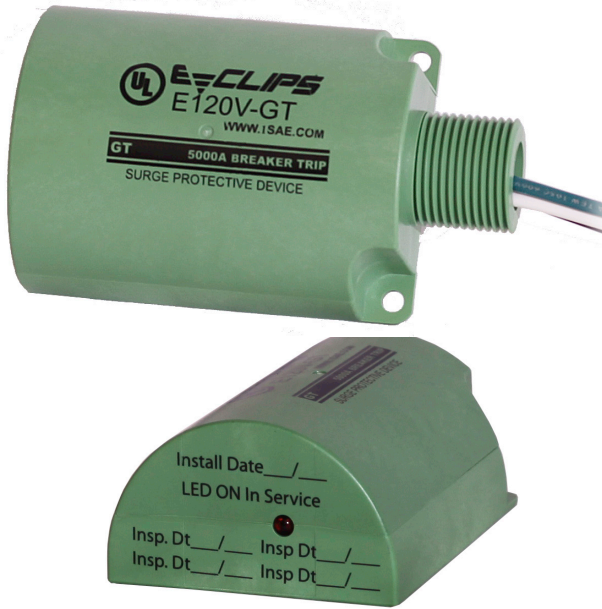


NO EXCUSES!



E120V-GT



Hybrid Surge Protection Device

Safety and performance is what Eclips is all about. While there are many varying criteria to be considered for surge protective devices (SPD), if the design engineer neglects the importance there can be serious implications for the client and equipment.

Every piece of electrical equipment is designed to operate at a specified nominal voltage. Typically equipment is designed to handle minor variations. However external sources such as lightning, motors, and short circuits cause wild and damaging variations.

Critical systems wired to your electrical service like Fire Alarm Control Panels (FACP), Mass Notification systems, amplifiers, motors, pumps (HVAC), power boosters and many more must require appropriate levels surge protection. The E120 series is an ideal choice for your 120V AC applications. because it has the robustness not only to absorb a spike, but to clamp long enough to trip the branch circuit breaker and still be functional for additional surges.



Standard Features:

- Available in 120 VAC
- UL Listed 1449 3rd Edition Type 2 & 3 2X to open circuit breaker @5000A
- Includes lockout & labels per NFPA 72 2013 10.6.5.2
- Surface or conduit mounting
- Diagnostic indicator light
- Self restoring
- 3 Wire device (18" length)

The number one cause of destruction, degradation and downtime of critical electrical equipment is from power surges and lightning strikes.

The E120V-GT device is an ideal solution to protect equipment. UL listed it maintains system integrity and protects against transients introduced into / onto electrical lines via poor atmospheric and utility conditions as well as internally generated inductive loads and transient TVSS. It reduces system downtime associated with power surges and lightning strikes. Prevents destruction and degradation of electrical components in the system. Fix your nuisance and non-billable service calls as a result of transients and poor power quality and show your customer you care about system integrity.

**ISO 9001
REGISTERED
COMPANY**



Space Age Electronics, Inc.
www.1SAE.com
800.486.1723 Toll Free
508.485.0966 Local
508.485.4740 Fax

Specifications:

All 120volt AC equipment will have Transient Voltage Surge Suppression (TVSS) protection manufactured by Space Age Electronics, Inc., part number E120V-GT ECLIPS Brand. The Unit shall be UL listed to standard 1449 rev 3. The unit will be labeled clearly with indelible ink. Mounting can be conduit mounted with a 3/4" pipe threaded nipple to secure in panel, or surface panel mount with 2 external mounting holes. The unit shall have thermal fuses to protect against fire in short circuit conditions. The E120V will have 18" long, 14 gauge wires (3x) ground wire must be green. The enclosure will be a non dielectric material UL94 QMFZ2/8 grade material providing UV protection. The unit shall provide visual indication (LED) that unit is protecting and functioning.

Specifications - Performance:

Short Circuit Current Rating (SCCR) : 5KA
 Maximum Surge Current (8x20µs) : 25,000 Amps
 Enclosure Material : UL94 QMFZ2/8 (green)
 Energy Dissipation Joules : 500 Joules
 VPR=700(L – N) 700 (L – G) 600 (N – G)
 Capacitance : < 2,000 pf
 Clamping Response Time : < 5 nanoseconds
 Current : Non-Load Bearing
 Max Operating Voltage (MCOV) : 140 volts AC, 50/60 Hz
 Clamping Voltage : 230 Volts RMS
 Design : Thermally Fused Hybrid
 Operation Indicators : LED
 Survivability : UL rated X2 @5000
 Amps to open Series external circuit breaker

Specifications - Operating:

Service Voltage : 120 Single Phase
 Circuits Protected : L-N L-G N-G
 Connection Type : Hardwired
 Installation Configuration : Parallel

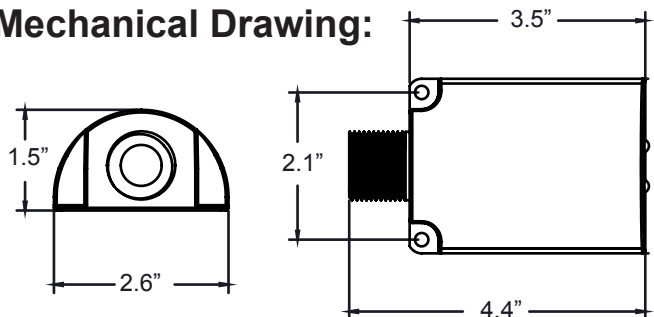
Specifications - Physical:

Weight : 5.2oz
 Dimensions : 2.75" x 1.55" x 4" long
 Operation Temperature : -40 to +85° C

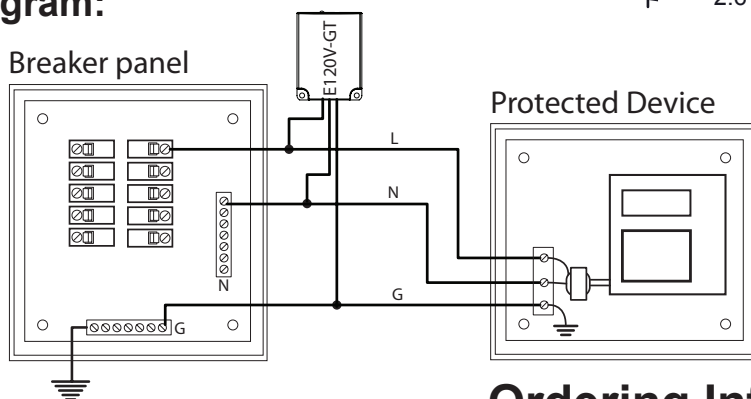
Specifications - Compliance:

UL Listed : 1449 Third Edition - VZCA
 File Number : E319370 Vol. 1 Sec. 1

Mechanical Drawing:



Wiring Diagram:



Ordering Information:

Part #	Description
E120V-GT	120V Hybrid Surge Protective Device
ELOCK-FA	Circuit Lockout Kit



Space Age Electronics, Inc.
 www.1SAE.com
 800.486.1723 Toll Free
 508.485.0966 Local
 508.485.4740 Fax

No Excuses, Just Solutions!

This document is subject to change without notice, see doc # ED0479 for legal disclaimer