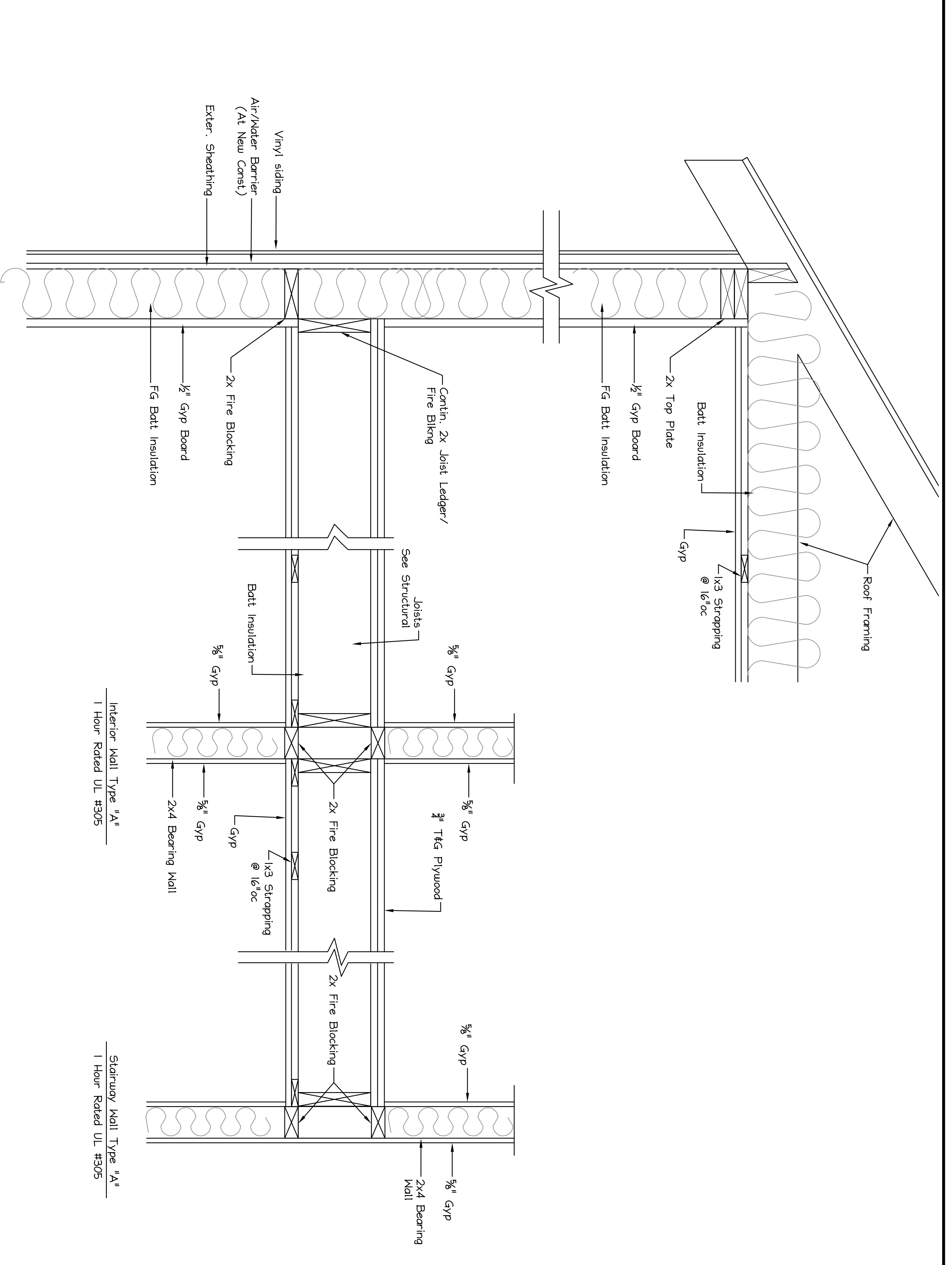
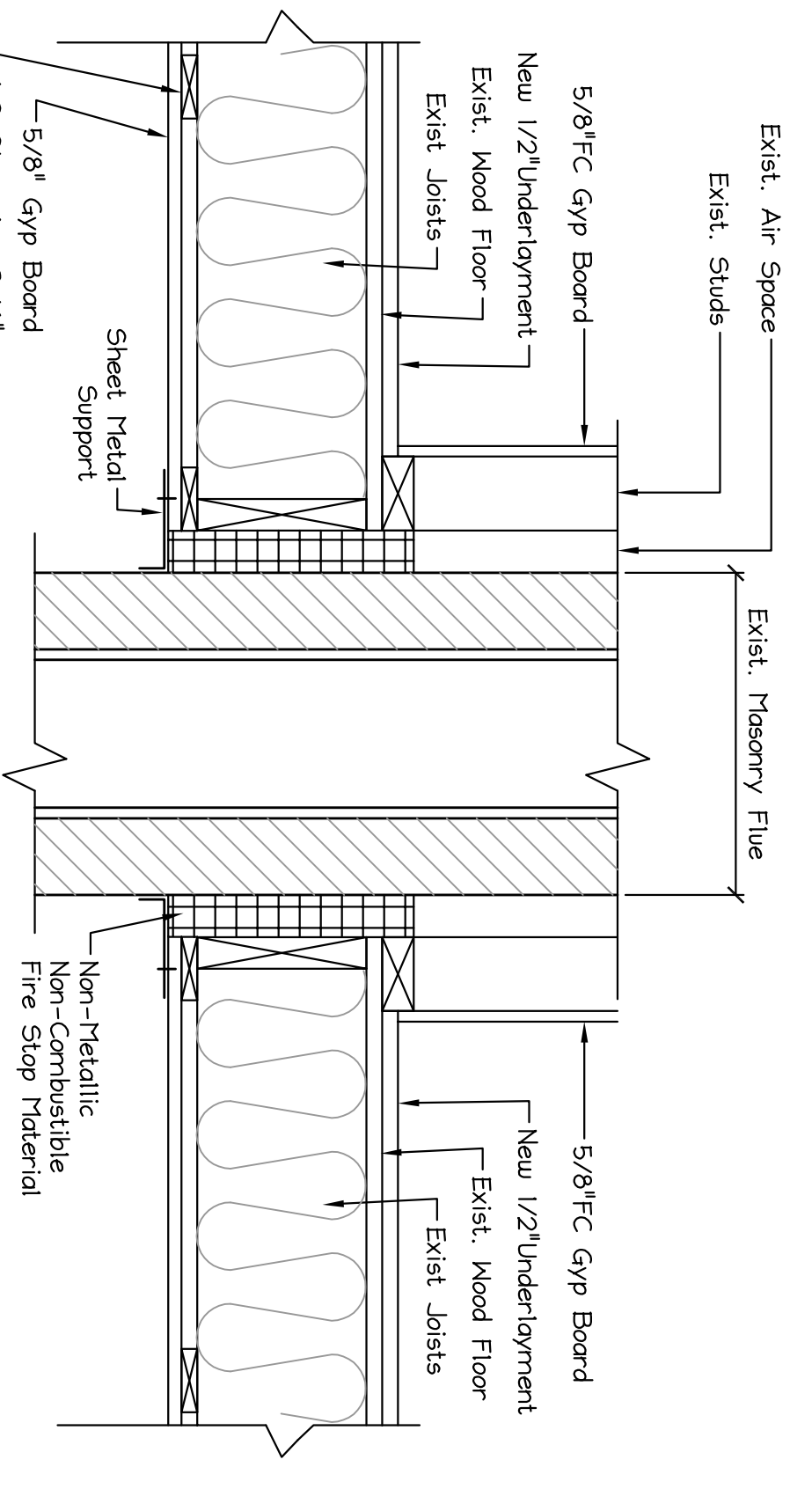
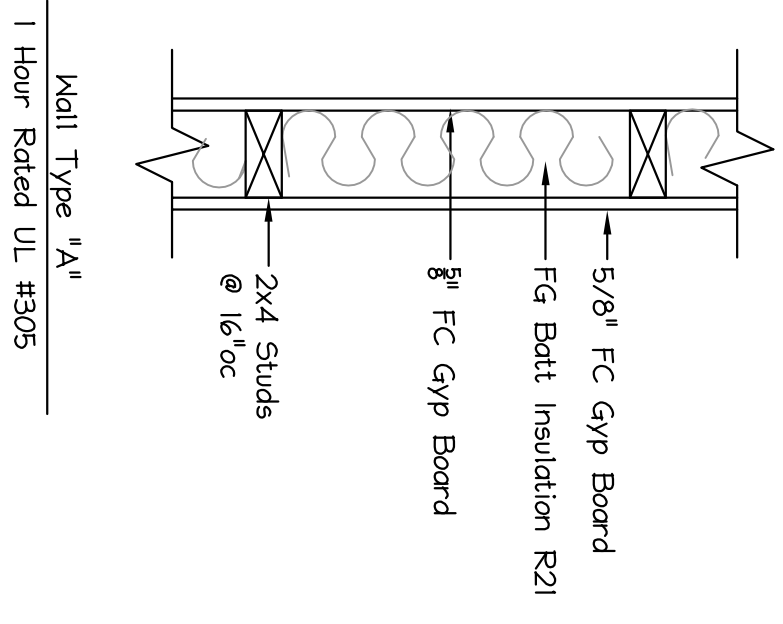
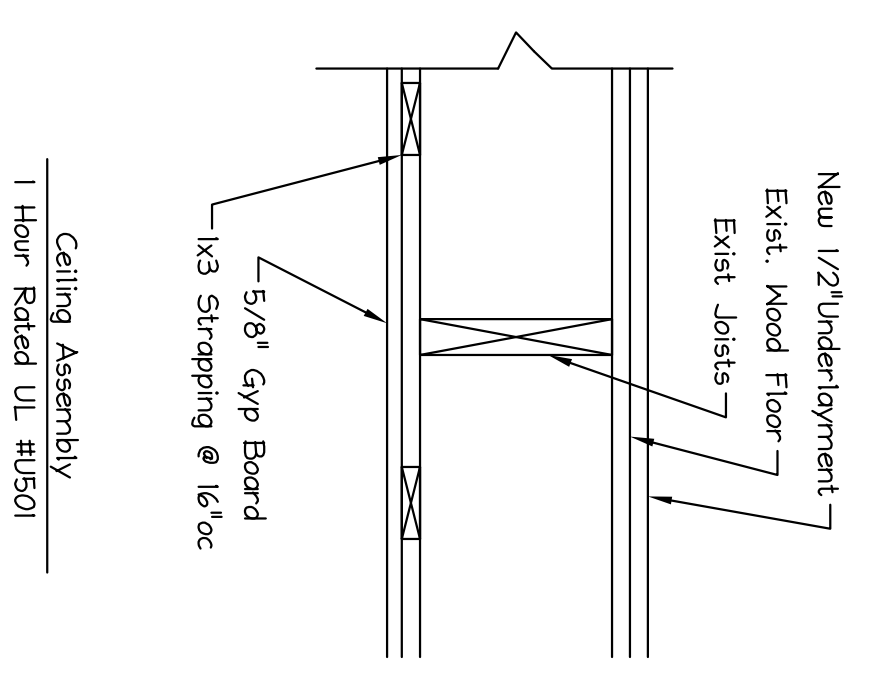


DETAIL A-3 Typical Framing/Fire Blocking Detail
Scale: 1 1/2" = 1'-0"



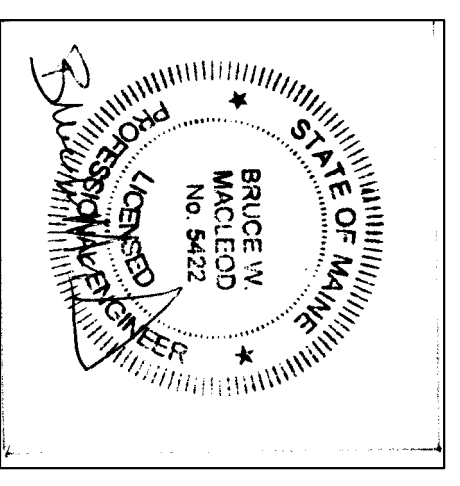
DETAIL A-3 Typical Framing/Fire Blocking Detail
Scale: 1 1/2" = 1'-0"



DETAIL B Typical Fire Fire Stop Detail
Scale: 1 1/2" = 1'-0"

NOTE: ALL OF THESE ELEMENTS ARE EXISTING. THESE DETAILS ARE PROVIDED FOR REFERENCE ONLY.

ISSUED 5/10/17



Macleod Structural Engineers, P.A. 404 Main Street, Gorham, Maine 04038 202.239.0880	
Morgan's Market Add'l Apartment 1576 Forest Ave. Portland, Maine	
TITLE: FIRE BLOCKING/PENETRATIONS	DRAWING NUMBER: LS-2
DATE: 5/10/17	DRAWN BY: BMM
SCALE: as noted	PROJ. NO: 2016-070