

Submittal Data: AUU9RLF  
Inverter Driven Heat Pump

9,000 BTU Compact Cassette

Job Name: LARSON ENTERPRISES

Date: \_\_\_\_\_

Location: \_\_\_\_\_

Approval: \_\_\_\_\_

Engineer: \_\_\_\_\_

Construction: \_\_\_\_\_

Submitted to: \_\_\_\_\_

Unit #: \_\_\_\_\_

Submitted by: \_\_\_\_\_

Drawing #: \_\_\_\_\_

Reference: \_\_\_\_\_

### General Features

- Refrigerant Type R410A
- Wired and wireless remote controller
- Auto changeover
- Weekly timer
- Removable open panel
- Super quiet operation
- Removable intake grille
- Mildew-resistant filter
- Swing operation
- 5 years standard parts warranty
- Eligible for 10 year or 12 year parts warranty. See warranty statement for details.

### Model Information

Evaporator..... AUU9RLF  
Condenser compatibility..... AOU9RLFC, AOU18RLXFZ, AOU18RLXFZH, AOU24RLXFZ, AOU24RLXFZ, AOU36RLXFZ, AOU36RLXFZ1, AOU36RLXFZH, AOU45RLXFZ, AOU48RLXFZ, AOU48RLXFZ1

### Electrical

Available Voltage Range..... 208/230V AC 1ph-60Hz  
Input Power  
Cooling..... 0.62 kW (rated) / 1.40 kW (max)  
Heating..... 0.89 kW (rated) / 1.80 kW (max)  
Current  
Cooling..... 3.0 A  
Heating..... 4.1 A

### Capacity

Nominal Cooling..... 9,000 Btu/h  
Nominal Heating..... 12,000 Btu/h  
Cooling..... 3,100 – 12,000 Btu/h (Min - Max)  
Heating..... 3,100 – 18,000 Btu/h (Min - Max)

### Fan Motor

Type: DC ..... Turbo fan x1  
Motor Output..... 54 W  
Fan Motor Protection..... off: 268 +30°F -34°F (131 +17°C -19°C)

### Airflow Rate

on: 210 +38°F -34°F (99 +21°C -19°C)  
Cooling (High / Medium / Low / Quiet)  
318 CFM (540 m3/h) / 288 CFM (490 m3/h) / 259 CFM (440 m3/h) / 230 CFM (390 m3/h)  
Heating (High / Medium / Low / Quiet)  
318 CFM (540 m3/h) / 288 CFM (490 m3/h) / 259 CFM (440 m3/h) / 230 CFM (390 m3/h)

### Heat Exchanger

Dimensions  
(H x W x D) in. (mm)..... 8-9/32 x 51-9/16 x 17/32 + 8-9/32 x 49-7/32 x 17/32 (210x1310x13.3 + 210x1250x13.3)  
Fin Pitch..... 21 FPI  
Rows x Stages..... 2 x 10  
Pipe Type (Material)..... Copper  
Fin Type..... Aluminum



### Temperature Setting Range

Cooling..... 64°F - 90°F (18°C - 32 °C)  
Heating..... 60°F - 88°F (16°C - 30°C)

### Enclosure

Material..... Galvanized Steel Sheet

### Sound Pressure Level

Cooling  
High/Medium/Low/Quiet..... 33 dB (A) / 32 dB (A) / 29 dB (A) / 28 dB (A)  
Heating  
High/Medium/Low/Quiet..... 34 dB (A) / 32 dB (A) / 29 dB (A) / 27 dB (A)

### Dimensions

H x W x D  
in. (mm)..... 9-21/32 x 22-7/16 x 22-7/16 (245x570x570)  
Cassette Grille..... UTG-CCGF (sold separately)  
H x W x D  
in. (mm)..... 1-15/16 x 27-9/16 x 27-9/16 (49x700x700)

### Connection Pipe

Liquid..... 1/4" in. (6.35 mm)  
Gas..... 3/8" in. (9.52 mm)  
Method (Liquid/Gas)..... Flare  
Drain hose  
Material..... Hard PVC  
Size..... Ø3/4 (I.D.), Ø1-1/16 (O.D.) [Ø20.7 (I.D.), Ø26.6 (O.D.) mm]

### Internal Drain Pump

Internal lift..... 27-9/16"

### Weight

Net..... 33 lbs. (15 kg)  
Gross..... 40 lbs. (18 kg)  
Cassette Grille..... 5.7 lbs. (2.6 kg) Net / 10 lbs. (4.5 kg) Gross

### Accessories

Wired Remote Controller..... UTY-RNNUM  
Backlit Display..... UTY-RVNUM  
Simple Remote Controller..... UTY-RSNUM  
Wireless Remote Controller..... UTY-LNHUM  
Dry Contact Wire Kit..... UTY-XWZX  
High Humidity Insulation Kit..... UTZ-KXGC  
Air Outlet Shutter Plate..... UTR-YDZB  
Fresh Air Intake..... UTZ-VXAA

### Intertek ETL Number

AUU9RLF..... 3170288

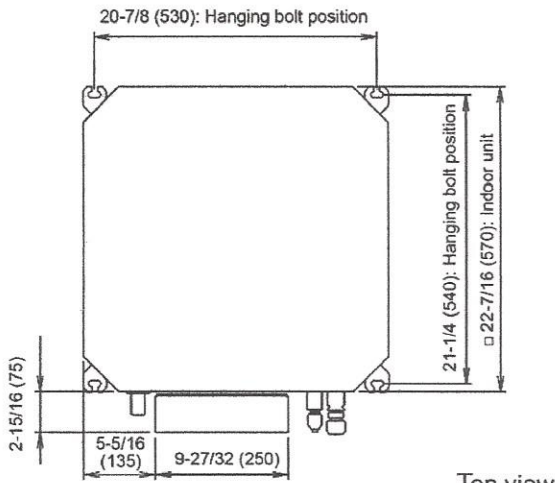
Fujitsu General America, Inc.  
353 Route 46 West  
Fairfield, NJ 07004  
Toll Free: 1-888-888-3424  
Fax: (973) 836-0447  
www.fujitsugeneral.com



Note: Specifications are based on the following conditions:  
Cooling: Indoor temperature of 80°F (26.7°C) DB/67°F (19.44°C) WB, and outdoor temperature of 95°F (35°C) DB/75°F (23.9°C) WB.  
Heating: Indoor temperature of 70°F (21.1°C) DB/59°F (15°C) WB, and outdoor temperature of 47°F (8.33°C) DB/43°F (6.11°C) WB.  
Pipe length: 24ft. (7.5m), Height difference: 0ft. (0m) (Outdoor unit - indoor unit)

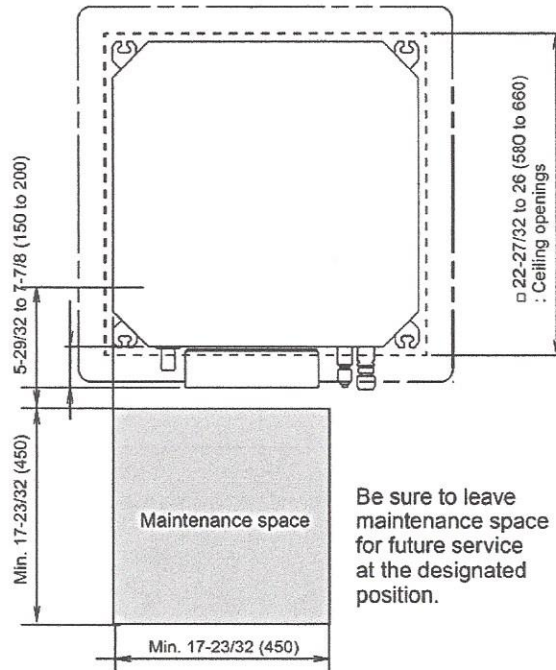
## Dimensions: AUU9RLF

[Unit: in. (mm)]

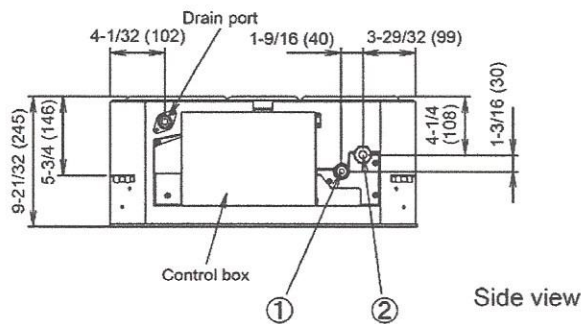


Top view

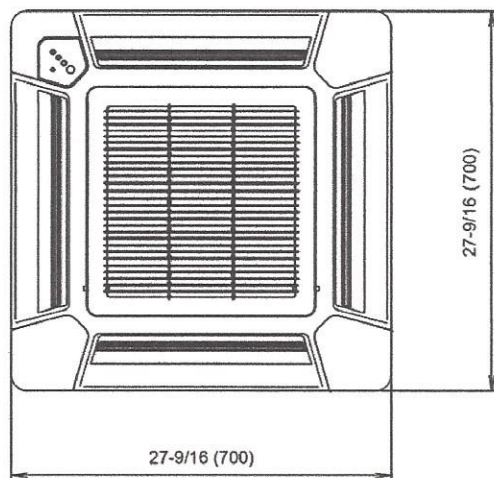
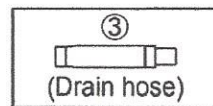
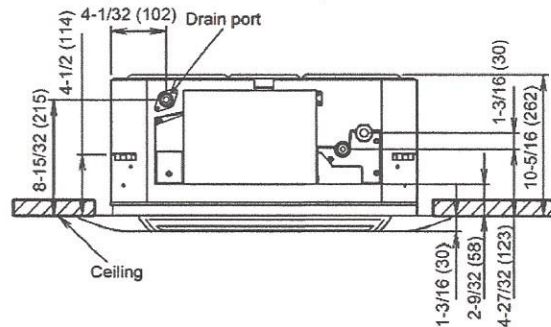
• Cassette grille mounting state



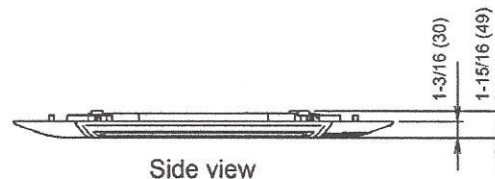
Be sure to leave maintenance space for future service at the designated position.



Side view



Bottom view

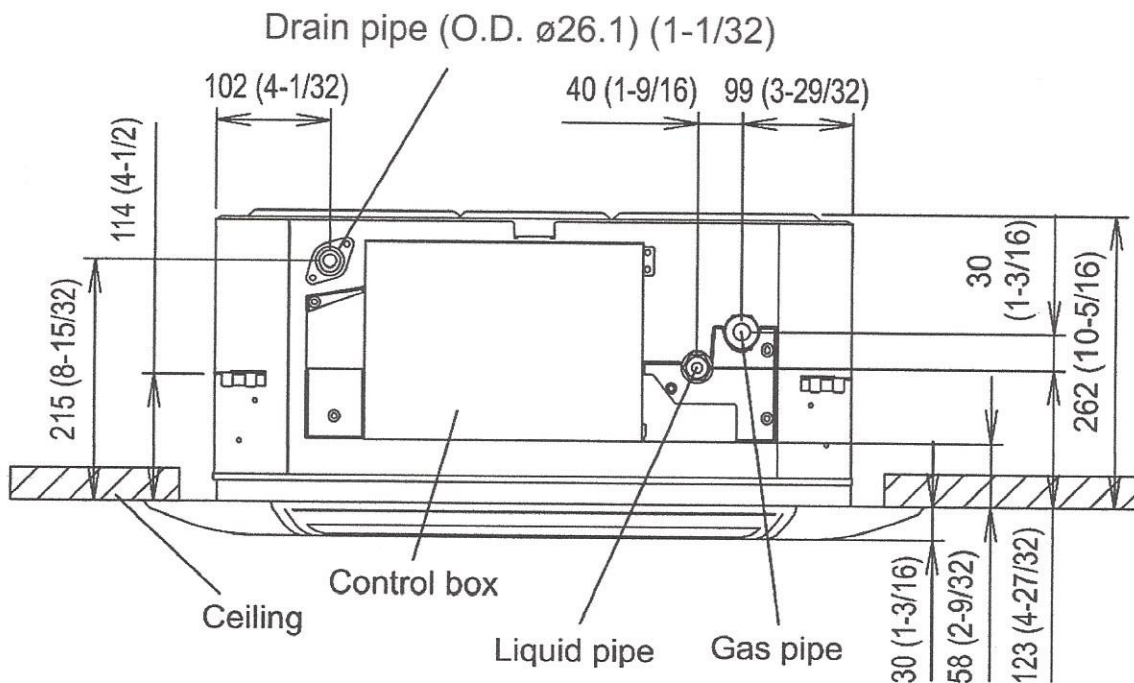
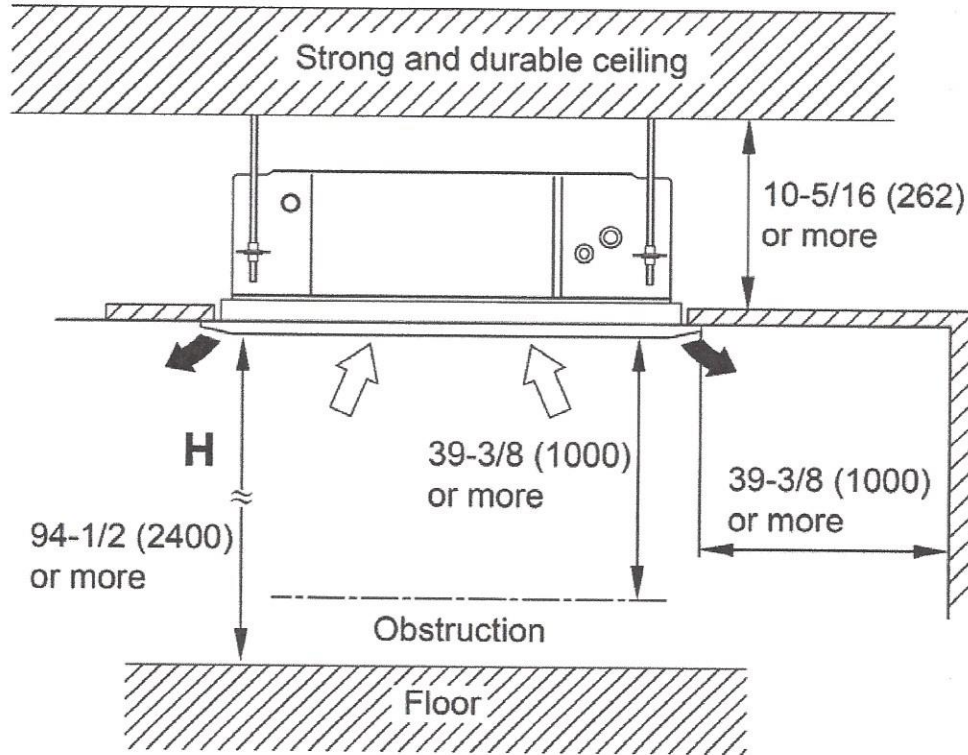




## Dimensions: AUU9RLF

**■ Installation Place**

[Unit: in. (mm)]



Submittal Data: AGU12RLF  
Inverter Driven Heat Pump

12,000 BTU Floor Type Evaporator

Job Name: LARSON ENTERPRISES

Date: \_\_\_\_\_

Location: \_\_\_\_\_

Approval: \_\_\_\_\_

Engineer: \_\_\_\_\_

Construction: \_\_\_\_\_

Submitted to: \_\_\_\_\_

Unit #: \_\_\_\_\_

Submitted by: \_\_\_\_\_

Drawing #: \_\_\_\_\_

Reference: \_\_\_\_\_

### General Features

- Refrigerant Type R410A.
- Wired and wireless remote controllers
- Double swing automatic
- Automatic airflow adjustment
- Weekly timer
- Removable open panel
- Powerful mode
- Program timer
- 5 years standard parts warranty
- Eligible for 10 year or 12 year parts warranty. See warranty statement for details.

### Model Information

Indoor..... AGU12RLF  
 Condenser Compatibility..... AOU12RLFF, AOU12RLFFH  
 AOU24RLXFZ, AOU24RLXFZH  
 AOU36RLXFZ, AOU36RLXFZ1, AOU36RLXFZH  
 AOU45RLXFZ, AOU48RLXFZ, AOU48RLXFZ1

**Electrical**..... 208/230V AC 1ph-60Hz  
 Available Voltage Range..... 208/230 +/- 10%  
 Minimum Circuit Ampacity..... 0.36 A  
 Running Current..... 0.18 A  
 Input Power..... 20 W

**Capacity**  
 Nominal Cooling..... 12,000 Btu/h

**Fan Motor**  
 Type: DC ..... Cross flow fan x 2  
 Motor Output..... 16 x 2  
 Fan Motor Protection..... off: 302 ± 27°F (150 ± 15°C)  
 on: 248 ± 27°F (120 ± 15°C)

**Airflow Rate**  
 Cooling (High / Medium / Low / Quiet)  
 353 CFM (600 m3/h) / 288 CFM (490 m3/h) / 224 CFM (380 m3/h) / 159 CFM (270 m3/h)  
 Heating (High / Medium / Low / Quiet)  
 353 CFM (600 m3/h) / 300 CFM (510 m3/h) / 241 CFM (410 m3/h) / 159 CFM (270 m3/h)

**Heat Exchanger**  
 Dimensions  
 (H x W x D) in. (mm) ..... 14-7/8 x 21-5/8 x 1-1/16 (378x550x26.6)  
 Fin Pitch..... 21 FPI  
 Rows x Stages..... 2 x 18  
 Pipe Type (Material)..... Copper  
 Fin Type..... Aluminum



### Temperature Setting Range

Cooling..... 64°F - 88°F (18°C - 30 °C)  
 Heating..... 60°F - 88°F (16°C - 30°C)

### Enclosure

Material..... Polystyrene  
 Color..... White (approximate color of Munsell N9.25)

### Sound Pressure Level

Cooling  
 High/Medium/Low/Quiet..... 42 dB (A) / 36 dB (A) / 30 dB (A) / 22 dB (A)  
 Heating  
 High/Medium/Low/Quiet..... 42 dB (A) / 38 dB (A) / 32 dB (A) / 22 dB (A)

### Dimensions

H x W x D  
 in. (mm)..... 23-5/8 x 29-1/8 x 7-7/8 (600x740x200)

### Connection Pipe

Liquid..... 1/4" in. (6.35 mm)  
 Gas..... 3/8" in. (9.52 mm)  
 Method (Liquid/Gas)..... Flare  
 Drain hose  
 Material..... PVC  
 Size..... 9/16" (13.8 mm) (I.D.) 5/8" to 11/16" (15.8mm to 16.7mm) (O.D.)

### Weight

Net..... 31 lbs. (14 kg)  
 Gross..... 37 lbs. (17 kg)

### Accessories

Wired Remote Controller..... UTY-RNNUM  
 Simple Remote Controller..... UTY-RSNUM  
 Dry Contact Wire Kit..... UTY-XWZXZ5

### Intertek ETL Number

AGU12RLF..... 91986

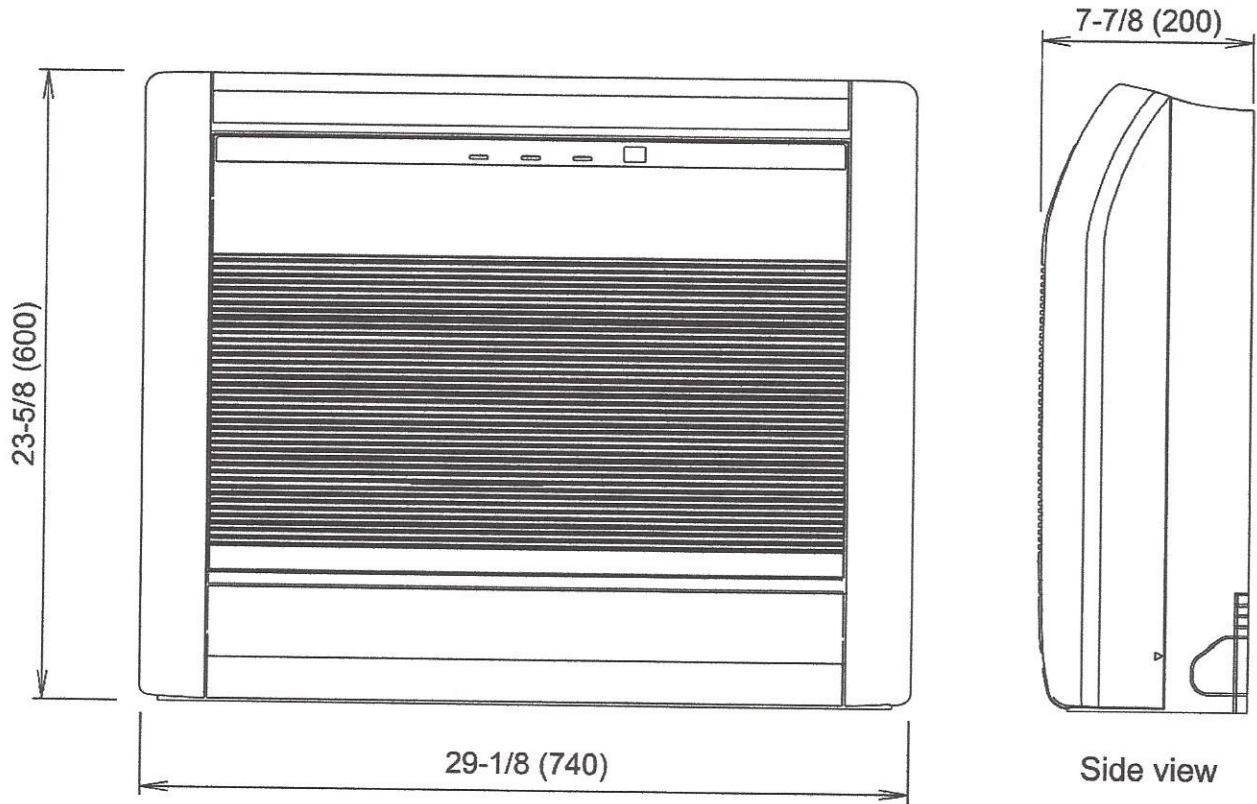
Note: Specifications are based on the following conditions.  
 Cooling: Indoor temperature of 80°F (26.7°C) DB/67°F (19.44°C) WB, and outdoor temperature of 95°F (35°C) DB/75°F (23.9°C) WB.  
 Heating: Indoor temperature of 70°F (21.11°C) DB/59°F (15°C) WB, and outdoor temperature of 47°F (8.33°C) DB/43°F (6.11°C) WB.  
 Pipe length: 24ft. Tin. (7.5m), Height difference: 0ft. (0m) (Outdoor unit - indoor unit)





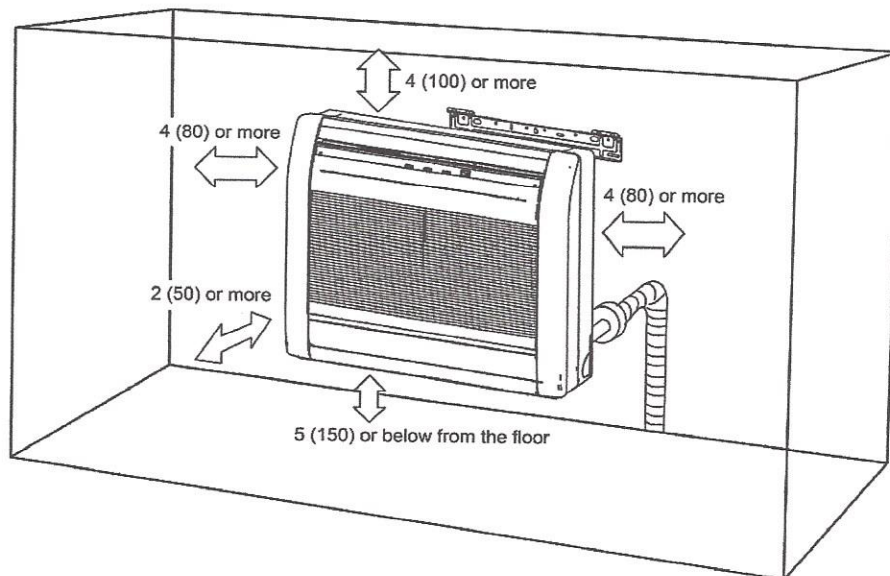
## Dimensions: AGU12RLF

[Unit: in. (mm)]



Front view

## ■ INSTALLATION PLACE



**Submittal Data: ASU9RLF1  
Inverter Driven Heat Pump**

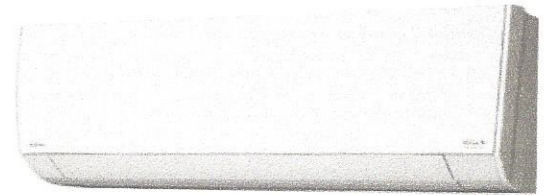
**9,000 BTU Wall Mount Type**

Job Name: \_\_\_\_\_  
 Location: \_\_\_\_\_  
 Engineer: \_\_\_\_\_  
 Submitted to: \_\_\_\_\_  
 Submitted by: \_\_\_\_\_  
 Reference: \_\_\_\_\_

Date: \_\_\_\_\_  
 Approval: \_\_\_\_\_  
 Construction: \_\_\_\_\_  
 Unit #: \_\_\_\_\_  
 Drawing #: \_\_\_\_\_

**General Features**

- Refrigerant Type R410A.
- Wired and wireless remote controllers
- Auto changeover
- Weekly timer
- Removable open panel
- Super quiet operation
- Removable air filter
- Program timer
- 5 years standard parts warranty
- Eligible for 10 year or 12 year parts warranty. See warranty statement for details.



**Model Information**

Evaporator..... ASU9RLF1  
 Condenser compatibility..... AOU9RLFW1, AOU18RLXFZ, AOU18RLXFZH  
 AOU24RLXFZ, AOU24RLXFZH  
 AOU36RLXFZ, AOU36RLXFZ1, AOU36RLXFZH  
 AOU45RLXFZ, AOU48RLXFZ1

**Electrical**..... 208/230V AC 1ph-60Hz  
 Available Voltage Range..... 208/230 +/- 10%  
 Minimum Circuit Ampacity..... 0.20 A  
 Full Load Amps..... 0.16 A  
 Input Power..... 17 W  
 Running Current..... 0.15 A

**Capacity**..... 9,000 Btu/h

**Fan Motor**  
 Type: DC..... Cross flow x1  
 Motor Output..... 30 W  
 Fan Motor Protection..... off: 221 ± 18°F (105 ± 10°C)  
 on: 194 ± 18°F (90 ± 10°C)

**Airflow Rate**  
 Cooling (High / Medium / Low / Quiet)  
 353 CFM (600 m3/h) / 306 CFM (520 m3/h) / 253 CFM (430 m3/h) / 182 CFM (310 m3/h)  
 Heating (High / Medium / Low / Quiet)  
 353 CFM (600 m3/h) / 306 CFM (520 m3/h) / 253 CFM (430 m3/h) / 194 CFM (330 m3/h)

**Heat Exchanger**  
 Dimensions  
 (H x W x D) in. (mm)..... 12-5/8 x 24-13/16 x 13/16 (320x630x20)  
 Fin Pitch..... Main 23 FPI / Sub 18 FPI  
 Rows x Stages..... Main 2 x20 / Sub 1 x4  
 Pipe Type (Material)..... Copper  
 Type (Material)..... Aluminum

**Temperature Setting Range**

Cooling..... 64°F - 90°F (18°C - 32 °C)  
 Heating..... 60°F - 88°F (16°C - 30°C)

**Enclosure**

Material..... Galvanized Steel Sheet

**Sound Pressure Level**

Cooling  
 High/Medium/Low/Quiet..... 37 dB (A) / 33 dB (A) / 29 dB (A) / 21 dB (A)  
 Heating  
 High/Medium/Low/Quiet..... 37 dB (A) / 33 dB (A) / 29 dB (A) / 22 dB (A)

**Dimensions**

H x W x D  
 in. (mm)..... 10-9/16 x 33-1/16 x 8 (268x840x203)

**Connection Pipe**

Liquid..... 1/4" in. (6.35 mm)  
 Gas..... 3/8" in. (9.52 mm)  
 Method (Liquid/Gas)..... Flare

Drain hose  
 Material..... PP + LLDPE  
 Size..... Ø9/16 (I.D.), Ø5/8 to Ø11/16 [Ø13.8 (I.D.), Ø15.8 to Ø16.7 O.D.]

**Weight**

Net..... 19 lbs. (8.5 kg)  
 Gross..... 23 lbs. (10.5 kg)

**Accessories**

Wired Remote Controller..... UTY-RNNUM  
 Backlit Display..... UTY-RVNUM  
 Simple Remote Controller..... UTY-RSNUM  
 Dry Contact Wire Kit..... UTY-XWZXXZ5  
 Interface Kit..... UTY-XCBXZ2

**Intertek ETL Number**

ASU9RLF1..... 91986

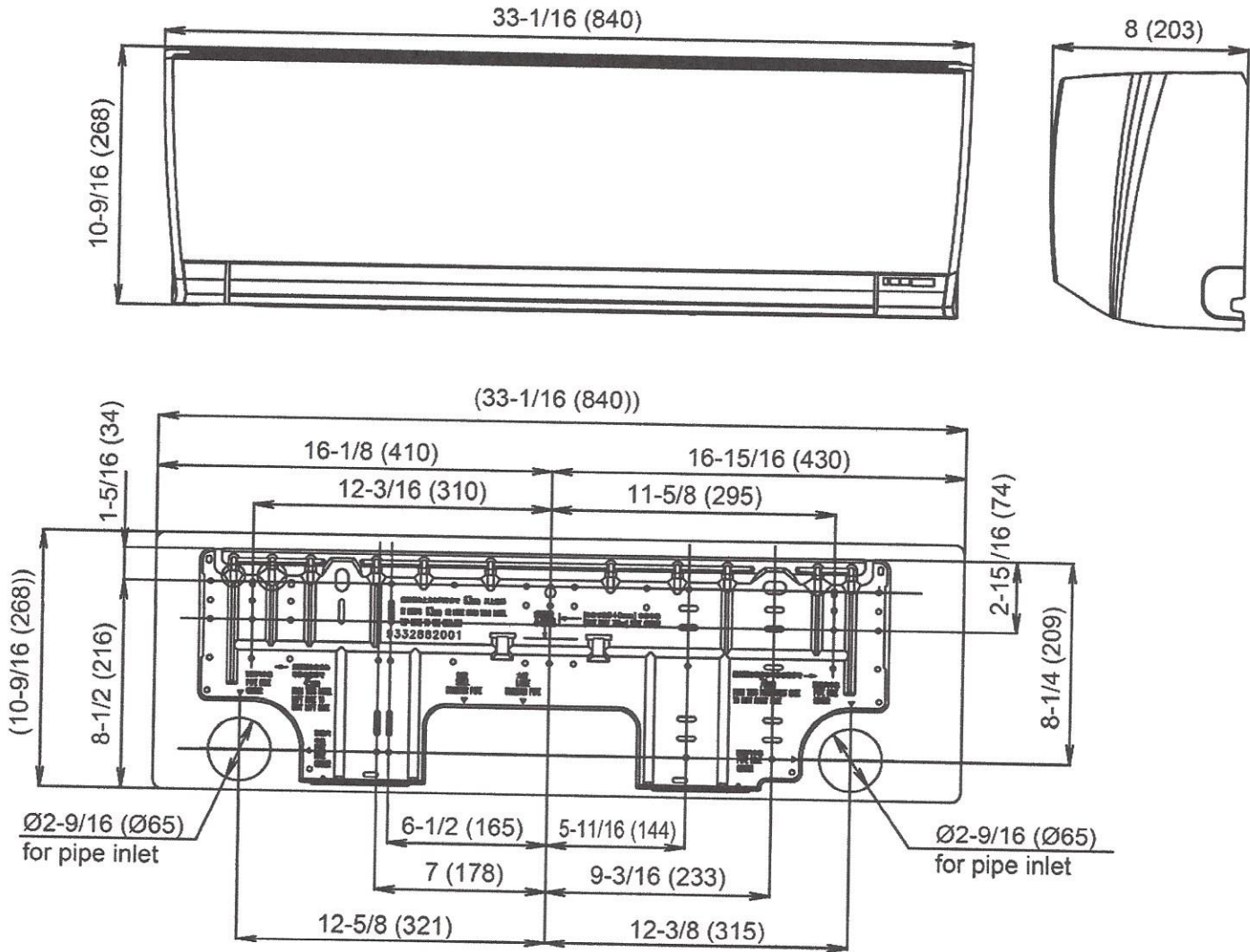
Note: Specifications are based on the following conditions.  
 Cooling: Indoor temperature of 80°F (26.7°C) DB/67°F (19.44°C) WB, and outdoor temperature of 95°F (35°C) DB/75°F (23.9°C) WB.  
 Heating: Indoor temperature of 70°F (21.11°C) DB/59°F (15°C) WB, and outdoor temperature of 47°F (8.33°C) DB/43°F (6.11°C) WB.  
 Pipe length: 24ft. 7in. (7.5m), Height difference: 0ft. (0m) (Outdoor unit - indoor unit)





## Dimensions: ASU9RLF1

[Unit: in. (mm)]



Submittal Data: AGU15RLF  
Inverter Driven Heat Pump

15,000 BTU Floor Type Evaporator

Job Name: LARSON ENTERPRISES

Date: \_\_\_\_\_

Location: \_\_\_\_\_

Approval: \_\_\_\_\_

Engineer: \_\_\_\_\_

Construction: \_\_\_\_\_

Submitted to: \_\_\_\_\_

Unit #: \_\_\_\_\_

Submitted by: \_\_\_\_\_

Drawing #: \_\_\_\_\_

Reference: \_\_\_\_\_

### General Features

- Refrigerant Type R410A.
- Wired and wireless remote controllers
- Double swing automatic
- Automatic airflow adjustment
- Weekly timer
- Removable open panel
- Powerful mode
- Program timer
- 5 years standard parts warranty
- Eligible for 10 year or 12 year parts warranty. See warranty statement for details.

### Model Information

Indoor..... AGU15RLF  
 Condenser Compatibility..... AOU15RLFF, AOU15RLFFH  
 AOU24RLXFZ, AOU24RLXFZH  
 AOU36RLXFZ, AOU36RLXFZ1, AOU36RLXFZH  
 AOU45RLXFZ, AOU48RLXFZ, AOU48RLXFZ1

### Electrical

Available Voltage Range..... 208/230V AC 1ph-60Hz  
 Minimum Circuit Ampacity..... 208/230 +/- 10%  
 Running Current..... 0.41 A  
 Input Power..... 0.20 A  
 Capacity..... 23 W

### Capacity

Nominal Cooling..... 15,000 Btu/h

### Fan Motor

Type: DC ..... Cross flow fan x 2  
 Motor Output..... 16 W

Fan Motor Protection..... off: 302 ± 27°F (150 ± 15°C)

### Airflow Rate

Cooling (High / Medium / Low / Quiet)  
 383 CFM (650 m3/h) / 306 CFM (520 m3/h) / 235 CFM (400 m3/h) / 159 CFM (270 m3/h)  
 Heating (High / Medium / Low / Quiet)  
 383 CFM (650 m3/h) / 318 CFM (540 m3/h) / 253 CFM (430 m3/h) / 159 CFM (270 m3/h)

### Heat Exchanger

Dimensions  
 (H x W x D) in. (mm) ..... 14-7/8 x 21-5/8 x 1-1/16 (378x550x26.6)  
 Fin Pitch..... 21 FPI  
 Rows x Stages..... 2 x 18  
 Pipe Type (Material)..... Copper  
 Fin Type..... Aluminum



### Temperature Setting Range

Cooling..... 64°F - 88°F (18°C - 30 °C)  
 Heating..... 60°F - 88°F (16°C - 30°C)

### Enclosure

Material..... Polystyrene  
 Color..... White (approximate color of Munsell N9.25)

### Sound Pressure Level

Cooling  
 High/Medium/Low/Quiet..... 40 dB (A) / 38 dB (A) / 31 dB (A) / 22 dB (A)  
 Heating  
 High/Medium/Low/Quiet..... 44 dB (A) / 39 dB (A) / 33 dB (A) / 22 dB (A)

### Dimensions

H x W x D  
 in. (mm)..... 23-5/8 x 29-1/8 x 7-7/8 (600x740x200)

### Connection Pipe

Liquid..... 1/4" in. (6.35 mm)  
 Gas..... 1/2" in. (12.70 mm)  
 Method (Liquid/Gas)..... Flare  
 Drain hose Material..... PVC  
 Size..... 9/16" (13.8 mm) (I.D.) 5/8" to 11/16" (15.8mm to 16.7mm) (O.D.)

### Weight

Net..... 31 lbs. (14 kg)  
 Gross..... 37 lbs. (17 kg)

### Accessories

Wired Remote Controller..... UTY-RNNUM  
 Simple Remote Controller..... UTY-RSNUM  
 Dry Contact Wire Kit..... UTY-XWZZZ5

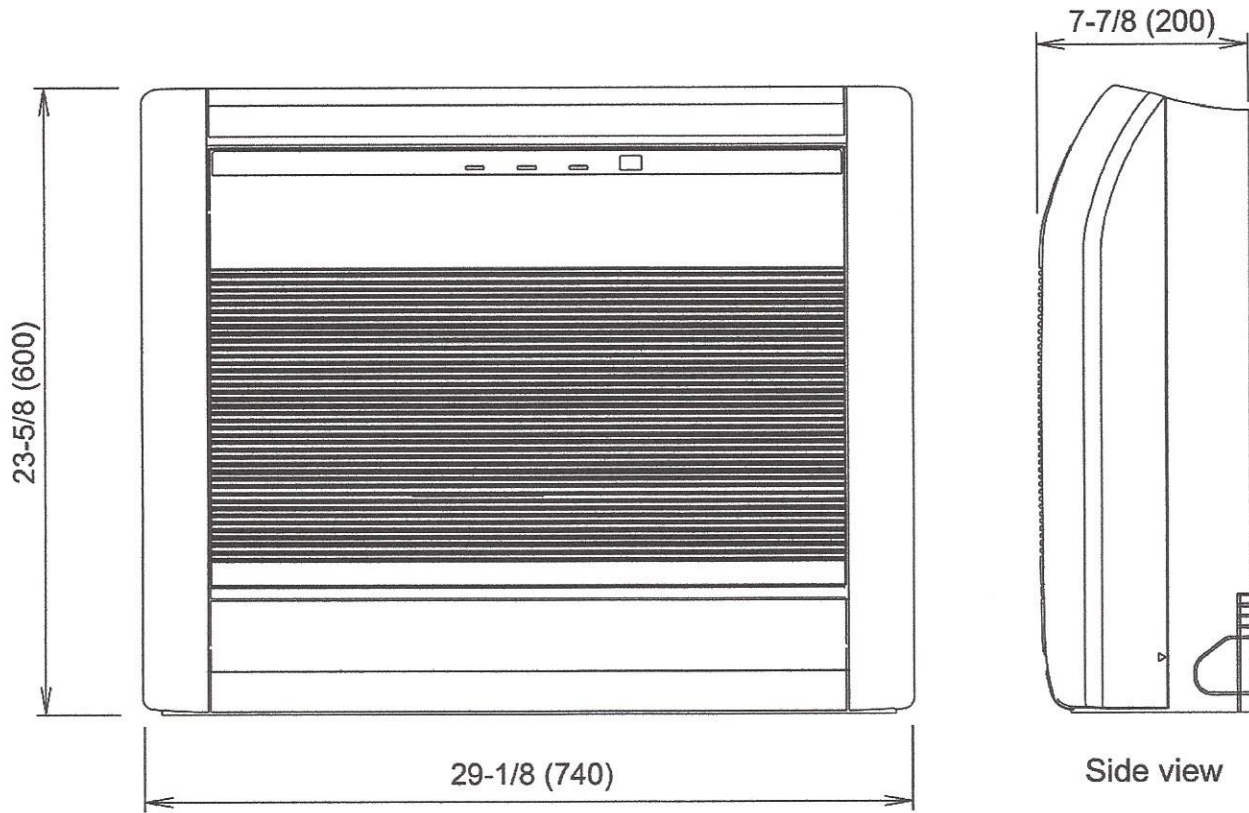
Note: Specifications are based on the following conditions.  
 Cooling: Indoor temperature of 80°F (26.7°C) DB/67°F (19.44°C) WB, and outdoor temperature of 95°F (35°C) DB/75°F (23.9°C) WB.  
 Heating: Indoor temperature of 70°F (21.1°C) DB/59°F (15°C) WB, and outdoor temperature of 47°F (8.33°C) DB/43°F (6.11°C) WB.  
 Pipe length: 24ft. 7in. (7.5m), Height difference: 0ft. (0m) (Outdoor unit - indoor unit)





## Dimensions: AGU15RLF

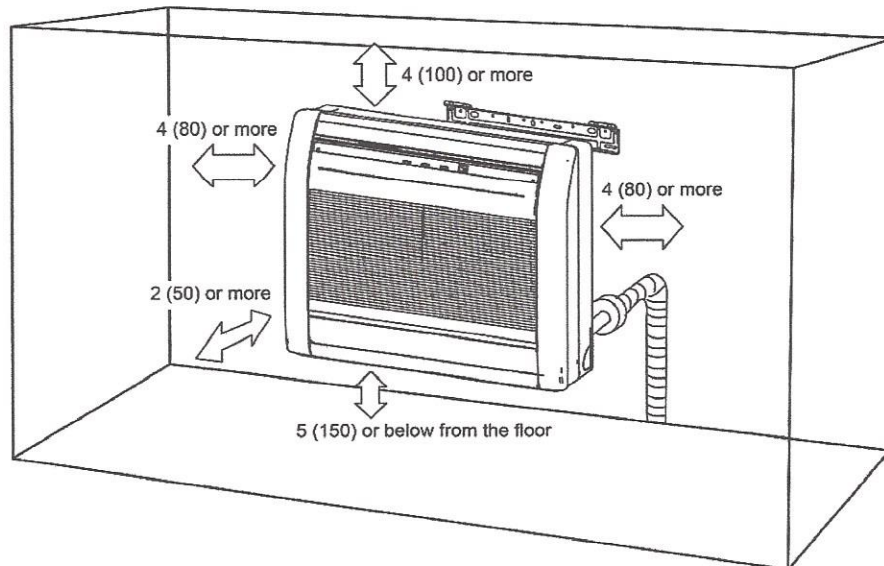
[Unit: in. (mm)]



Front view

Side view

## ■ INSTALLATION PLACE





Submittal Data: 36RLXFZH  
Inverter Driven Heat Pump

36,000 BTU Multi-Zone System

Job Name: LARSON ENTERPRISES

Date: \_\_\_\_\_

Location: \_\_\_\_\_

Approval: \_\_\_\_\_

Engineer: \_\_\_\_\_

Construction: \_\_\_\_\_

Submitted to: \_\_\_\_\_

Unit #: \_\_\_\_\_

Submitted by: \_\_\_\_\_

Drawing #: \_\_\_\_\_

Reference: \_\_\_\_\_

### General Features

- Wired or wireless remote
- Apple catechin filter
- Ion deodorizing filter
- Auto louver: up/down
- Auto louver: 4-way
- Low ambient cooling
- Blue fin coating
- Standard Warranty: 5 years parts, 7 years compressor. Applies to systems purchased before June 1<sup>st</sup> 2015\*
- Extended Warranty: 10 years parts, 10 years compressor. Systems that have been installed on or after June 1<sup>st</sup> 2015 by licensed contractors and the online Product Registration has been submitted.\*\*
- Elite Contractor Extended Warranty: 12 years parts, 12 years compressor. Systems that have been installed on or after June 1<sup>st</sup> 2015 by contractors who have met requirements and have been approved for elite contractor status plus, the online Product Registration has been submitted.\*\*\*

### Model Information

Condenser..... AOU36RLXFZH  
Evaporator^..... (ARU) / (AGU) / (AUU) / (ASU) 7, 9, 12, 18, 24RLF(1)  
Connectable indoor units..... 2 - 4  
Total capacity range..... 27,000 – 39,000 Btu/h

**Electrical**..... 208/230V AC 1ph-60Hz  
Available Voltage Range..... 208/230 +/- 10%  
Minimum Circuit Ampacity..... 31.5 A  
Max Fuse Size..... 40 A

**Current**  
Starting Current..... 12.9 A  
Operating Current..... 26.0 A  
Cooling..... (non-duct) 11.9 A / (ducted) 12.9 A / (mix) 12.4 A  
Heating..... (non-duct) 11.8 A / (ducted) 12.1 A / (mix) 11.8 A

**Input Power**  
Cooling..... (non-duct) 3.52 kW / (ducted) 3.92 kW / (mix) 3.71 kW  
Heating..... (non-duct) 3.00 kW / (ducted) 3.22 kW / (mix) 3.11 kW

**Capacity**  
Nominal Cooling..... 35,200 Btu/h  
Min-Max Cooling..... 12,000 – 39,000 Btu/h  
Nominal Heating..... 36,400 Btu/h  
Min-Max Heating..... 12,000 – 42,000 Btu/h

**Compressor**..... DC Twin Rotary (inv x1)  
Motor Output..... 2,100 W  
Refrigerant..... R410a  
Pre-Charge..... 8 lbs. 13 oz.  
Oil..... RB68

**Fan Motor**  
Type: DC (condenser)..... Propeller x1  
Motor Output (condenser)..... 100 W  
Type: DC (evaporator)..... (wall-mount) Cross flow  
(compact cassette) Turbo  
(ducted) Sirocco x2 (18 k x3)  
(floor) Cross flow x2

Motor Output (Evaporator)..... (wall) 30-42W (compact cassette) 54W (ducted) 80-81W  
**Heat Exchanger**  
Dimensions (condenser)..... (floor)16W  
(H x W x D) in. (mm)..... 38-1/16 x 36-5/16 x 2-3/16 (966x922x55)  
Fin Pitch..... 1.45 FPI  
Rows x Stages..... 2 x 38  
Pipe Type (Material)..... Grooved H-Pin (Copper)  
Fin Type (Material)..... Aluminum (Blue fin)

### Operation Temperature Range

Cooling..... 14°F (-10°C) - 115°F (46°C)  
Heating..... -15°F (-26°C) - 75°F (24°C)

### Efficiency

SEER<sup>^</sup>..... 20.0 (wall-mount) 18.0 (duct) 19.0 (mix)  
EER (cooling)..... 13.0 Btu/W (wall-mount) 12.0 Btu/W(duct) 12.5 Btu/W(mix)  
COP (heating)..... 4.00 W/W (wall-mount) 3.88 W/W (duct) 3.94 W/W(mix)  
HSPF (heating)..... 10.3 (wall-mount) 9.3 (duct) 9.8 (mix)

### Enclosure (condenser)

Material..... Painted galvanized steel  
Color..... Beige (10 YR 7.5/1.0 NN)

### Sound Pressure Level

Cooling..... 53 dB(A)  
Heating..... 55 dB (A)

### Dimensions

H x W x D (condenser)  
Net in. (mm)..... 39-5/16 x 38-3/16 x 14-9/16 (998x970x370)  
Gross in. (mm)..... 45-3/4 x 45-1/4 x 18-13/16 (1,162x1,150x478)

### Connection Pipe

Liquid..... 1/4" (6.35 mm) x4  
Gas..... 3/8" (9.52 mm) x3 + 1/2" (12.70 mm) x1  
Method (Liquid/Gas)..... Brazing  
Pre-charge length (Total)..... 164 ft. (50m)  
Max length (Total)..... 230 ft. (70m)  
Max length (Each)..... 82 ft. (25m)  
Min. length (Total)..... 49 ft. (15m)  
Min length (Each)..... 16 ft. (5m)  
Max Height Difference..... 49 ft. (15m)

### Weight

Condenser..... 205 lbs. (93kg)  
Evaporators..... (wall-mount) 19 lbs. - 31 lbs.  
(compact cassette) 33 lbs.  
(ducted) 37 lbs. - 49 lbs.  
(floor) 31 lbs.

### Accessories

UTY-DMMUM..... Central wired remote control (backlit, displays room temp.)  
UTY-RNNUM..... Wired remote control  
UTY-RSNUM..... Wired remote control (simple)

### Intertek®ETL Number

AOU36RLXFZH..... 91987

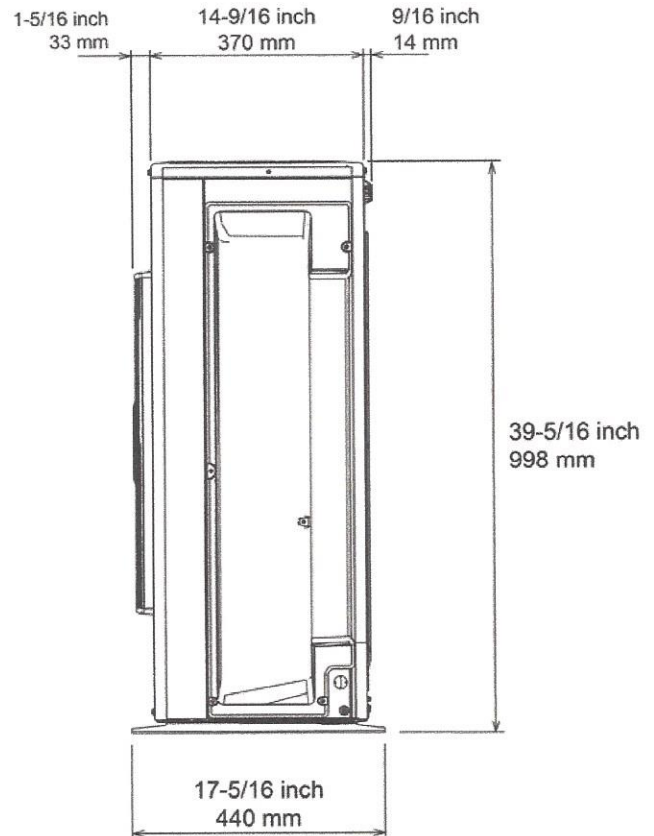
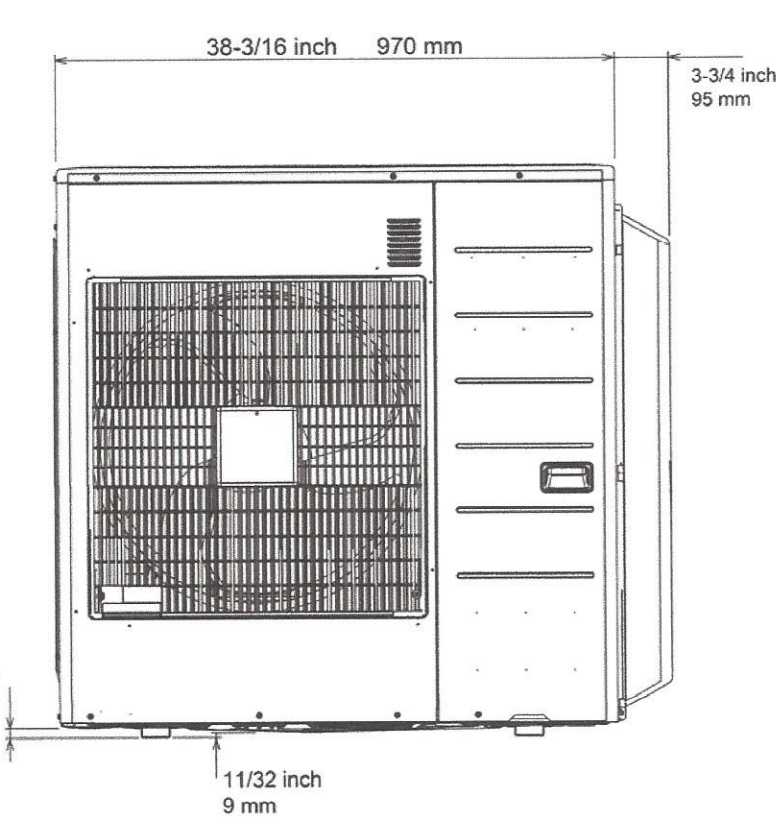
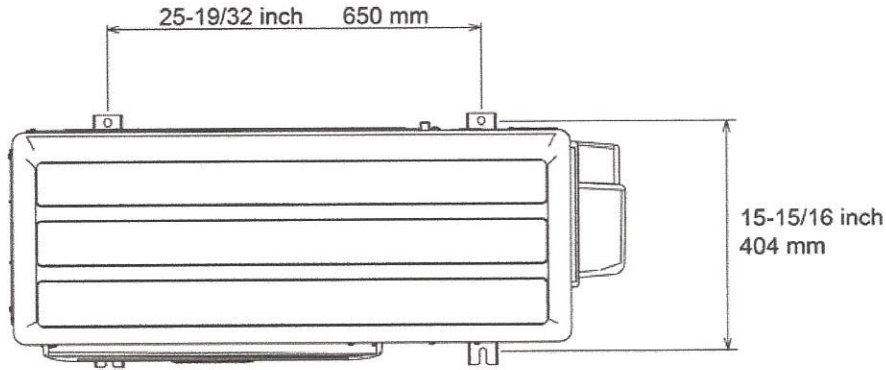
\*Reference brochure for approved combinations. \*\*Test conditions are based on AHRI 210/240.  
Note: Specifications are based on the following conditions. Cooling: Indoor temperature of 80°F (26.7°C) DB/67°F (19.4°C) WB, and outdoor temperature of 95°F (35°C) DB/75°F (23.9°C) WB. Heating: Indoor temperature of 70°F (21.1°C) DB/59°F (15°C) WB, and outdoor temperature of 47°F (8.3°C) DB/43°F (6.1°C) WB. Pipe length: 24ft. 6in. (7.5m), Height difference: 0ft. (0m) (Outdoor unit – indoor unit)  
\*\*\*Standard warranty / \*\*10 year warranty / \*\*\*12 year warranty





## Dimensions: 36RLXFZH

[Unit: in. (mm)]





Submittal Data: 18RLXFZH  
Inverter Driven Heat Pump

18,000 BTU Multi-Zone System

Job Name: LARSON ENTERPRISES

Date: \_\_\_\_\_

Location: \_\_\_\_\_

Approval: \_\_\_\_\_

Engineer: \_\_\_\_\_

Construction: \_\_\_\_\_

Submitted to: \_\_\_\_\_

Unit #: \_\_\_\_\_

Submitted by: \_\_\_\_\_

Drawing #: \_\_\_\_\_

Reference: \_\_\_\_\_

### General Features

- Wired or wireless remote
- Apple catechin filter
- Ion deodorizing filter
- Auto louver: up/down
- Auto louver: 4-way
- Low ambient cooling
- Cold prevention
- Blue fin coating
- Standard Warranty: 5 years parts, 7 years compressor. Applies to systems purchased before June 1<sup>st</sup> 2015\*
- Extended Warranty: 10 years parts, 10 years compressor. Systems that have been installed on or after June 1<sup>st</sup> 2015 by licensed contractors and the online Product Registration has been submitted.\*\*
- Elite Contractor Extended Warranty: 12 years parts, 12 years compressor. Systems that have been installed on or after June 1<sup>st</sup> 2015 by contractors who have met requirements and have been approved for elite contractor status plus, the online Product Registration has been submitted.\*\*\*

### Model Information

Condenser.....	AOU18RLXFZH
Evaporator <sup>1</sup> .....	(ASU) / (ARU) / (AGU) / (AUU) 7,9,12RLF(1)
Connectable indoor units.....	2
Total capacity range.....	14,000 – 21,000 Btu/h
<b>Electrical</b> .....	208/230V AC 1ph-60Hz
Available Voltage Range.....	208/230 +/- 10%
Minimum Circuit Ampacity.....	19.7 A
Max Fuse Size.....	20 A
Max Starting Current.....	7.9 A

### Input Power

Cooling.....	(non-duct) 1.33 kW / (ducted) 1.45 kW / (mix) 1.39 kW
Heating.....	(non-duct) 1.70 kW / (ducted) 1.79 kW / (mix) 1.74 kW

### Current

Cooling.....	(non-duct) 5.8 A / (ducted) 6.4 A / (mix) 6.1 A
Heating.....	(non-duct) 7.5 A / (ducted) 7.9 A / (mix) 7.7 A

### Capacity

Nominal Cooling.....	18,000 Btu/h
Min-Max Cooling.....	6,100 – 21,000 Btu/h
Nominal Heating.....	22,000 Btu/h
Min-Max Heating.....	6,800 – 24,400 Btu/h

### Compressor

Motor Output.....	Rotary (inv x1)
Refrigerant.....	1,100 W
Charge.....	R410a
Oil.....	4 lbs. 3 oz
	RB68

### Fan Motor

(Condenser) Type: DC.....	Propeller x1
(Condenser) Motor Output.....	100 W
(Evaporator) Type: DC.....	(wall-mount) Cross flow (compact cassette) Turbo (ducted) Sirocco x2 (18 k x3) (floor) Cross flow x2

(Evaporator) Motor Output.....	(wall) 30W-42W (compact cassette) 54W (ducted) 80-81W (floor) 16W
--------------------------------	--

### Heat Exchanger

Dimensions	
(H x W x D) in. (mm).....	31-7/16 x35-7/16 x 1-7/16 (798x900x36.38)
Fin Pitch.....	20 FPI
Rows x Stages.....	2 x 38
Pipe Type (Material).....	Copper
Fin Type (Material).....	Aluminum (Blue fin)

### Operation Temperature Range

Cooling.....	14°F - 115°F (-10°C - 46°C)
Heating.....	-15°F - 75°F (-26°C - 24°C)

### Efficiency

SEER*2.....	(wall-mount) 21.5 (duct) 19 (mix) 20.3
EER (cooling).....	(wall-mount) 13.5 Btu/W (duct) 12.4 Btu/W (mix) 13 Btu/W
COP (heating).....	(wall-mount) 3.79 W/W (duct) 3.60 W/W (mix) 3.70 W/W
HSPF (heating).....	(wall-mount) 10.3 (duct) 9 (mix) 9.7

### Enclosure

(condenser)	
Material.....	Painted galvanized steel
Color.....	Beige (10 YR 7.5/1.0 NN)

### Sound Pressure Level

Condenser.....	48 dB(A)
----------------	----------

### Dimensions

H x W x D	
Condenser	
Net in. (mm).....	32-11/16 x 35-7/16 x 13 (830x900x330)
Gross in. (mm).....	38-3/16 x 41-5/16 x 17-1/2 (970x1,050x445)

### Connection Pipe

Liquid.....	1/4" x2
Gas.....	3/8" x2
Method (Liquid/Gas).....	Brazing
Max Length (Pre-charge).....	164ft. (50m) / (98 ft. {30m})
Max Height Difference.....	49 ft. (15m)

### Weight

Condenser.....	134 lbs. (61 kg)
Evaporators.....	(wall-mount) 19 lbs. - 31 lbs. (compact cassette) 33 lbs. (ducted) 37 lbs. - 49 lbs. (floor) 31 lbs.

### Accessories

Wired Remote Controller.....	UTY-RVNUM
Wired Remote Controller.....	UTY-RNNUM
Simple Remote Controller.....	UTY-RSNUM

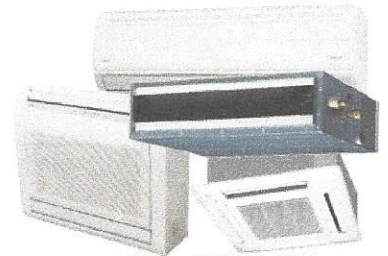
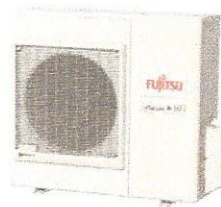
### Intertek ETL Number

AOU18RLXFZH.....	91987
------------------	-------

<sup>1</sup> Reference brochure for approved combinations. <sup>2</sup> Test conditions are based on AHRI 210/240.

Note: Specifications are based on the following conditions: Cooling: Indoor temperature of 80°F (26.7°C) DB/67°F (19.4°C) WB, and outdoor temperature of 95°F (35°C) DB/75°F (23.9°C) WB. Heating: Indoor temperature of 70°F (21.1°C) DB/59°F (15°C) WB, and outdoor temperature of 47°F (8.3°C) DB/43°F (6.1°C) WB. Pipe length: 24ft. 7in. (7.5m). Height difference: 0ft. (0m) (Outdoor unit – indoor unit)

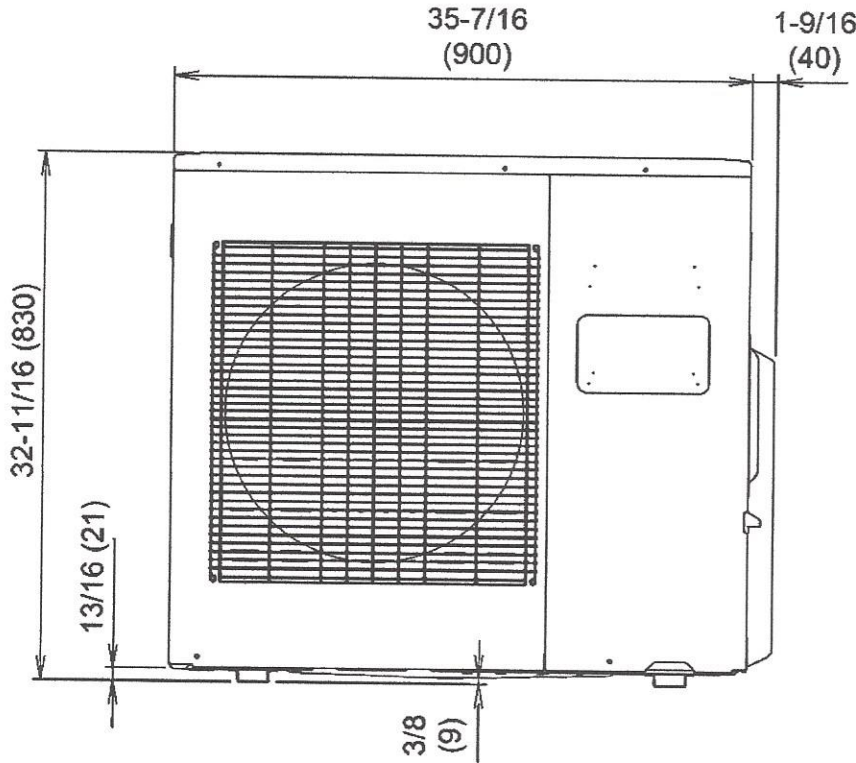
(\*) Standard warranty; (\*\*) 10 year warranty; (\*\*\*) 12 year warranty



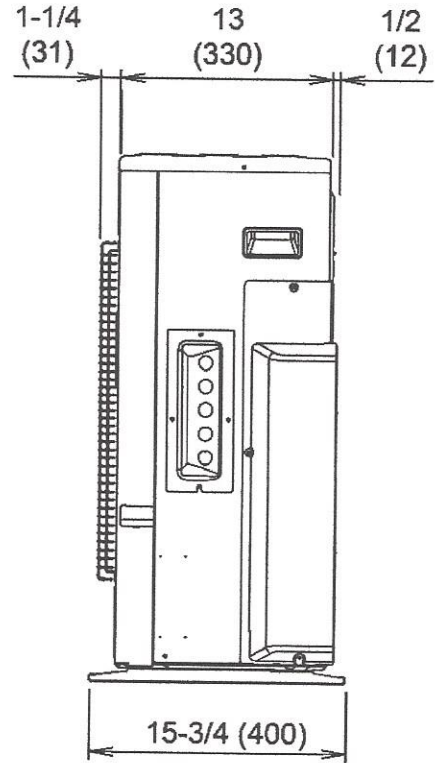


## Dimensions: 18RLXFZH

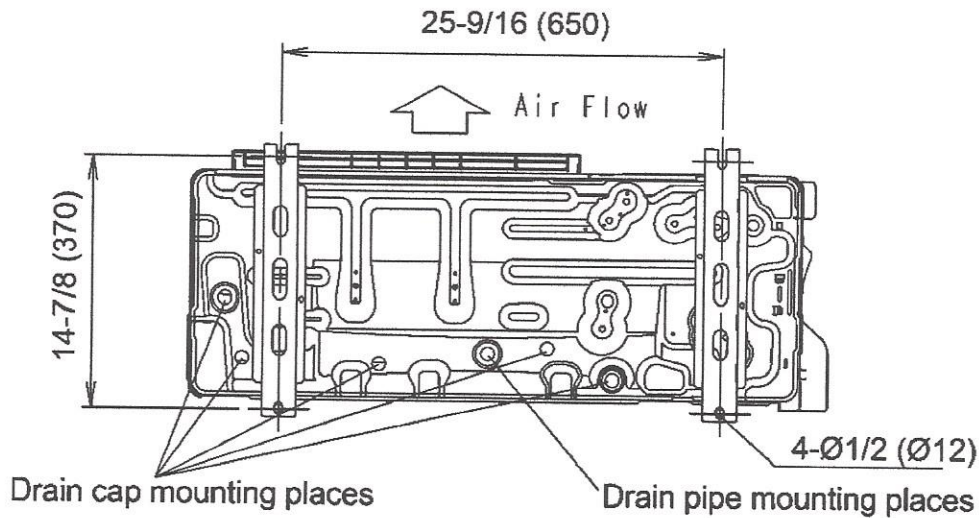
[Unit: in. (mm)]



Front view



Side view



Bottom view